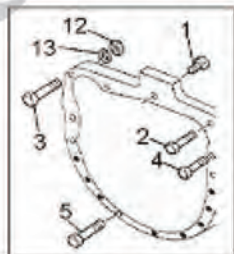
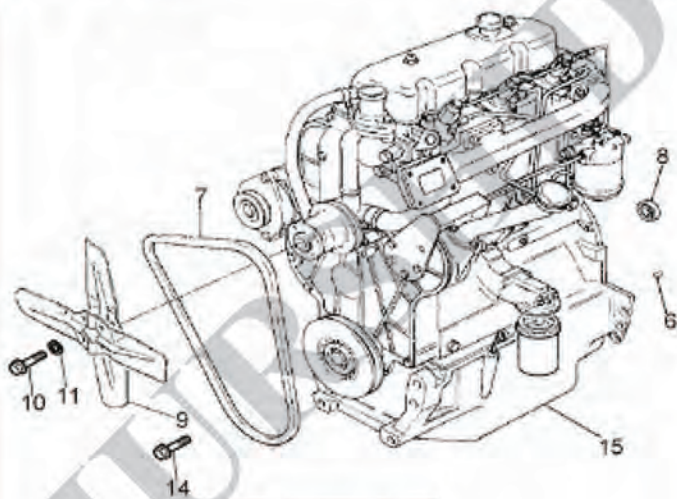


ENGINE INSTALLATION

ENGINE INSTALLATION

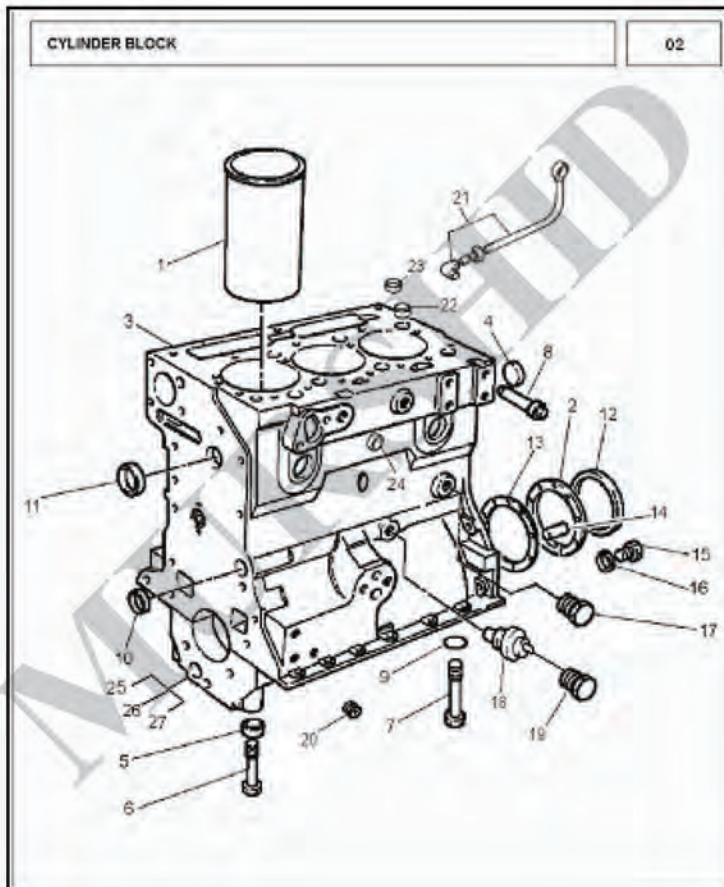
01



<u>ITEM</u>	<u>CKD</u>	<u>LocalPartNo</u>	<u>QTY</u>	<u>Description</u>	<u>Source</u>
1	3019858X1	18503	1	SCREW M12 X 35L	L
2	3019852X1	18501	3	BOLT M12 X 55L	L
3	3019857X1	18610	1	BOLT M12 X 90L	L
4	3009794X1	18612	1	SCREW M12 X 1.75 X 70L	L
5	3019855X1	18502	9	BOLT M12 X 70L	L
6	825302M1	18220	2	DOWEL	L
7	1687531M1	18647	1	FAN BELT	I
8	828123M2	18643	1	BEARING CLUTCH PILOT	I
9	897050M1	37005	1	FAN	L
10	2182428	18553	4	SCREW	L
11	2411118	18590	2	WASHER	L
12	3019862X1	18611	1	NUT M12	L
13	339369X1	18621	3	LOCK WASHER I/D12.2 OD21.1 T.2.5	L
14	378810X1	185022	4	HEX BOLT 5/16 - 24 UNF-2A L.18MM	L
15	37711C05A/6	185000	1	ENGINE	L
15	41423584	185000	1	ENGINE	L

CYLINDER BLOCK

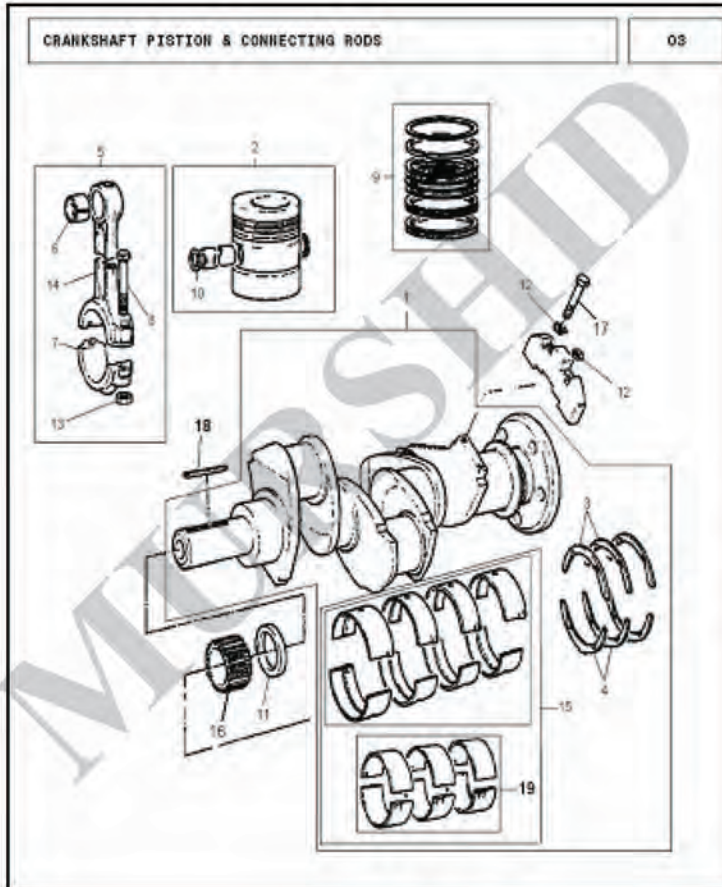
MF240



<u>ITEM</u>	<u>CKD</u>	<u>LocalPartNo</u>	<u>QTY</u>	<u>Description</u>	<u>Source</u>
1	31358356	185041	3	LINER CYLINDER BLOCK	L
2	4142V002	18063	1	HOUSING REAR END OIL SEAL	L
3	3711C059	185025	1	CYLINDER BLOCK	L
3	3711C05A/6	185025	1	CYLINDER BLOCK	L
4	0650592	18154	1	PLUG	L
5	33137409	18151	8	THIMBLE MAIN BRG CAP	L
6	32181441	18526	6	SCREW	L
7	32181442	18527	2	SCREW	L
8	32114472	18213	1	PLUG BRG FACING	L
9	2415608	18657	2	O RING	L
10	0650566	18155	2	PLUG	L
11	0650710	18153	6	PLUG WATER JACKET	L
12	2418F475	18641	1	SEAL	L
13	33828113	18046	1	JOINT OIL SEAL HOUSING	L
14	0350015	18181	2	DOWEL	L
15	0746255	18540	9	SCREW	L
16	0920003	18567	9	WASHER	L
17	32161114	18178	1	PLUG	L
18	1877721M92	29002	1	OIL PRESSURE SWITCH	L
19	0650586	18592	1	PLUG	L
20	32114451	185101	1	PLUG	L
21	35568109	18016	1	PIPE L/O CAMSHAFT-CHAMBER CYL	L
22	33157142	18196	2	PLUG	L
23	33157143	18197	2	PLUG	L
24	32417163	18164	2	PLUG CYLINDER BLOCK	L
25	31331251	18090	1	CAP MAIN BEARING FRONT	L
26	31331252	18091	2	CAP MAIN BEARING INTERMEDIATE	L
27	31331614	18092	1	CAP MAIN BRG REAR	L

CRANKSHAFT PISTON & CONNECTING RODS

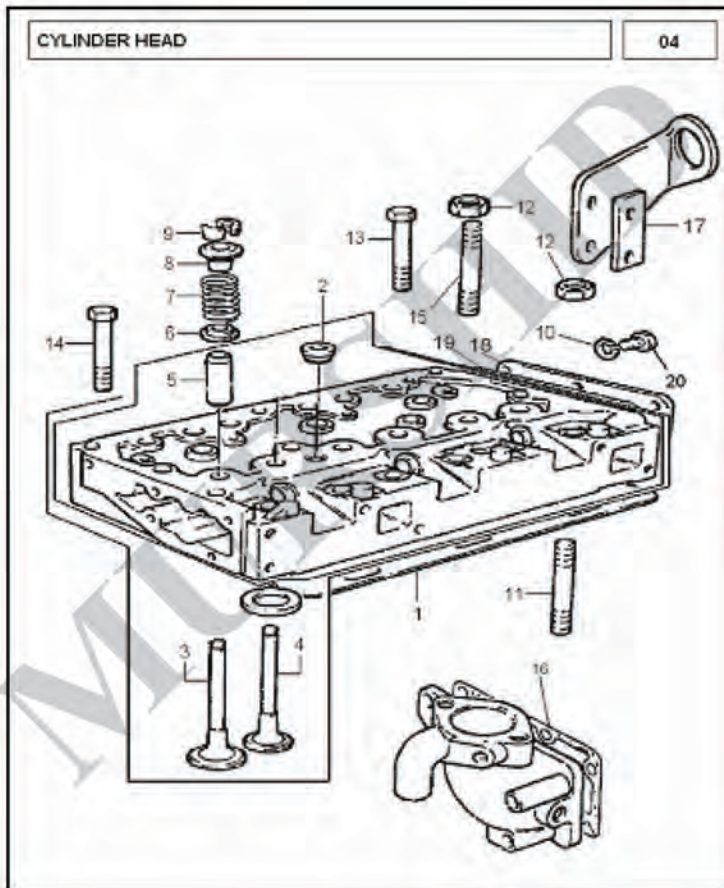
MF240



<u>ITEM</u>	<u>CKD</u>	<u>LocalPartNo</u>	<u>QTY</u>	<u>Description</u>	<u>Source</u>
1	A5BH0017	18650	1	ASSY. CRANKSHAFT +B.W+GR+ HW	I
2	31354983	18041	3	PISTON ASSY	L
3	31137211	18086	2	WASHER CRN/SHAFT THRT RR JRNL	L
4	31137221	18087	2	WASHER CRN/SHAFT THRT RR CAP	L
5	41152926	18400	3	CONNECTING ROD ASSY	L
6	31134151	18102	1	BUSH	L
7	31337542	18079	1	CAP CON ROD	L
8	095250	18103	2	SCREW	L
9	41158065	18640	3	RING PISTON	I
10	0180066	18632	2	CLIP	L
11	2415715	18658	1	O RING	L
12	3381A003	18607	2	WASHER	L
13	33221327	18104	2	NUT	L
14	31337223	18078	1	CONNECTING ROD	L
15	U5MK0100	18667	1	SHELL BEARING SET	L
16	31163495	18665	1	GEAR	L
17	2185189	18728	1	BOLT	L
18	36271704	18163	1	KEY	L
19	N/a	18058	1	KIT, BEARING MAIN	L

CYLINDER HEAD

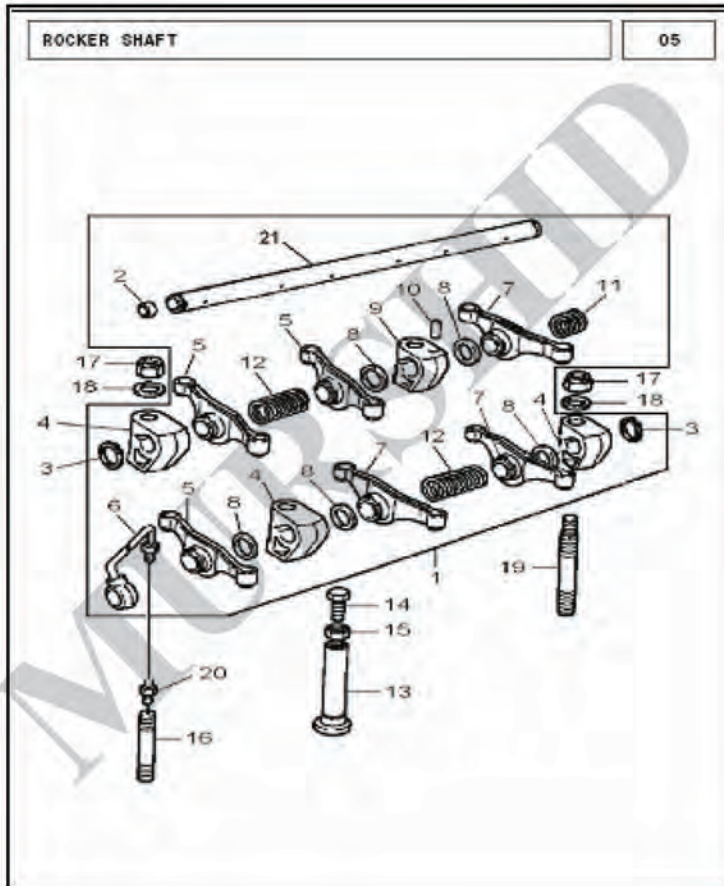
MF240



<u>ITEM</u>	<u>CKD</u>	<u>LocalPartNo</u>	<u>QTY</u>	<u>Description</u>	<u>Source</u>
1	3711617A/1	18300	1	CYLINDER HEAD ASSY.	L
1	37116187	18300	1	CYLINDER HEAD ASSY.	L
1	M7BD1600	18300	1	CYLINDER HEAD ASSY.	L
2	2431154	18593	2	PLUG	L
3	31431681	18051	3	VALVE INLET	L
4	31431011	18052	3	VALVE EXHAUST	L
5	U3316A031	18193	6	GUIDE	L
6	33415133	18635	6	WASHER	L
7	0780006	18636	6	SPRING	I
8	33423148	18608	6	CAP	L
9	0230001	18637	12	COTTER	L
10	0920053	18583	6	WASHER	L
11	32524132	18573	1	STUD	L
12	33221329	18563	4	NUT	L
13	32181457	18557	5	SCREW	L
14	32181458	18558	9	SCREW	L
15	32524148	18574	3	STUD	L
16	3686J003	18006	1	JOINT CYL BLK/W-INLET CONNECT	L
17	3611000	18170	1	PLATE R-LIFTING PLT-CYL HD SPC	L
18	3612M002	18176	1	COVER CYL REAR END	L
19	36851416	18602	1	JOINT	L
20	0746214	18538	6	SCREW	L

ROCKER SHAFT

MF240



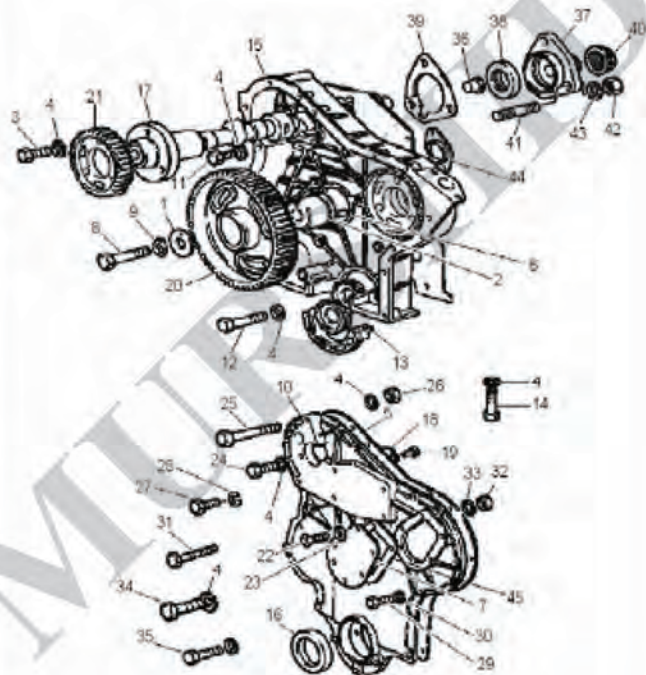
<u>ITEM</u>	<u>CKD</u>	<u>LocalPartNo</u>	<u>QTY</u>	<u>Description</u>	<u>Source</u>
1	4115R805	18160	1	ROCKER SHAFT ASSY	L
2	0650507	18198	2	PLUG	L
3	0170033	18646	2	CIRCLIP EXTERNAL	L
4	0101138	18001	3	BRACKET ROCKER SHAFT	L
5	3737A101	18167	3	ROCKER LEVER LH	L
6	35568109M1	18017	1	PIPE	L
7	3737A091	18168	3	ROCKER LEVER RH	L
8	0330505	18070	5	SPACER	L
9	37521212	18033	1	BRACKET ROCKER SHAFT	L
10	2112A066	18184	1	PIN	L
11	0780175	18628	1	SPRING	L
12	0780005	18629	2	SPRING	L
13	0860012	18194	6	TAPPET	L
14	2227117	18522	6	SCREW	L
15	0576052	18551	6	NUT	L
16	2214209	18569	2	STUD	L
17	2211283	18562	4	NUT	L
18	0920004	18568	4	WASHER	L
19	32754435	18595	2	STUD	L
20	0206002	18188	1	CONNECTION	L
21	31411142	18160	1	ROCKER SHAFT	L

TIMING GEAR & CAMSHAFT

MF240

TIMING GEAR & CAMSHAFT

06

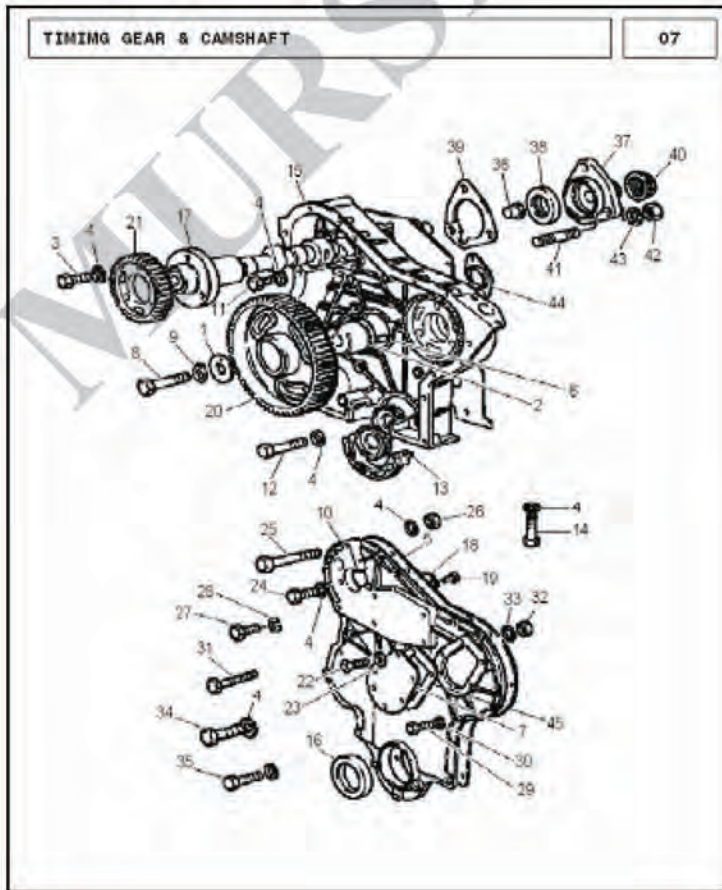


<u>ITEM</u>	<u>CKD</u>	<u>LocalPartNo</u>	<u>QTY</u>	<u>Description</u>	<u>Source</u>
1	0940738	18009	1	PLATE IDLER GEAR RETAINING	L
2	0995447	18010	1	HUB IDLER GEAR	L
3	0746214	18540	3	SCREW	L
4	0920053	18583	24	WASHER	L
5	36813158	18014	1	JOINT FRONT COVER TMGCASE(36813136)	L
6	0350005	18183	1	DOWEL	L
7	36234114	18021	1	PLATE BLANKING	L
8	095199	18548	1	BOLT IDLER GEAR HUB	L
9	0920883	18598	1	TABWASHER	L
10	37167794	18050	1	TIMING COVER	L
11	0746355	18543	15	SCREW	L
12	0096234	18530	2	SCREW	L
13	37354312	18098	1	BRIDGE PIECE TIMING CASE BOTTOM	L
14	096232	18507	2	BOLT	L
15	37161481	18064	1	TIMING CASE	L
16	2415344	18639	1	SEAL	I
17	31415261	18071	1	CAMSHAFT	L
18	3661P002	18588	1	SPRING	L
19	2126151	18664	1	RIVET	L
20	31164362	18080	1	GEAR IDLER	L
21	0410241	18081	1	GEAR CAM SHAFT	L
22	32151116	18554	6	SCREW	L
23	33117127	18565	6	WASHR ID 13.10 OD 19.05 T. 2.64	L
24	0748414	18546	2	SCREW	L
25	0096213	18528	1	SCREW	L
26	0576002	18549	1	NUT	L
27	02233203	18523	1	SCREW	L
28	3321A004	18586	1	WASHER	L
29	2183205	18506	8	BOLT	L

30	0920052	18582	8	WASHER	L
31	0748510	18547	2	SCREW	L
32	2238153	18521	2	NUT	L
33	0920054	18584	2	WASHER	L
34	2183204	18520	2	SCREW	L
35	0096441	18534	1	SCREW	L
36	33473106	18179	1	ADAPTOR TECHO-DRIVE METER	L
37	37416751	18150	1	HOUSING TACHO-METER DRIVE	L

TIMING GEAR & CAMSHAFT

MF240



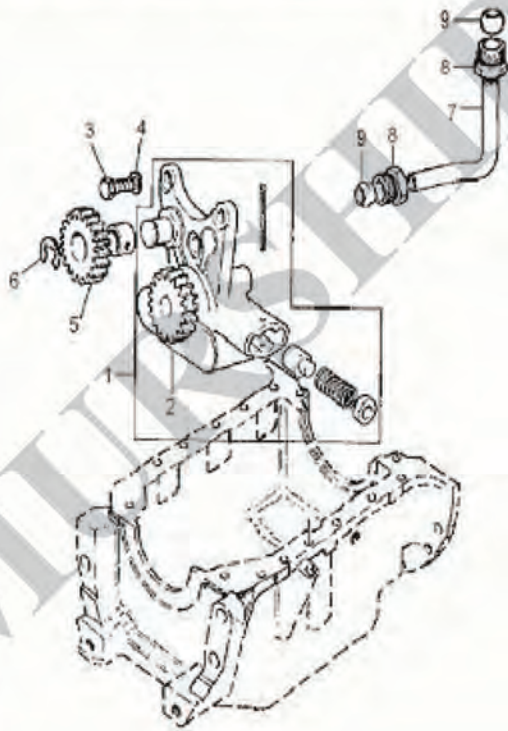
<u>ITEM</u>	<u>CKD</u>	<u>LocalPartNo</u>	<u>QTY</u>	<u>Description</u>	<u>Source</u>
38	30854	18642	1	LIP SEAL	I
39	36862605	18604	1	JOINT	L
40	32813106	18510	1	CAP	L
41	2217575	18571	3	STUD	L
42	0576002	18549	3	NUT	L
43	0920053	18583	3	WASHER	L
44	37461104	18032	1	COVER POWER TAKE OFF FACING	L
45	36862572	18024	1	JOINT INSPECTION COVER	L

LUBRICATING PUMP & DELIVERY HOUSING

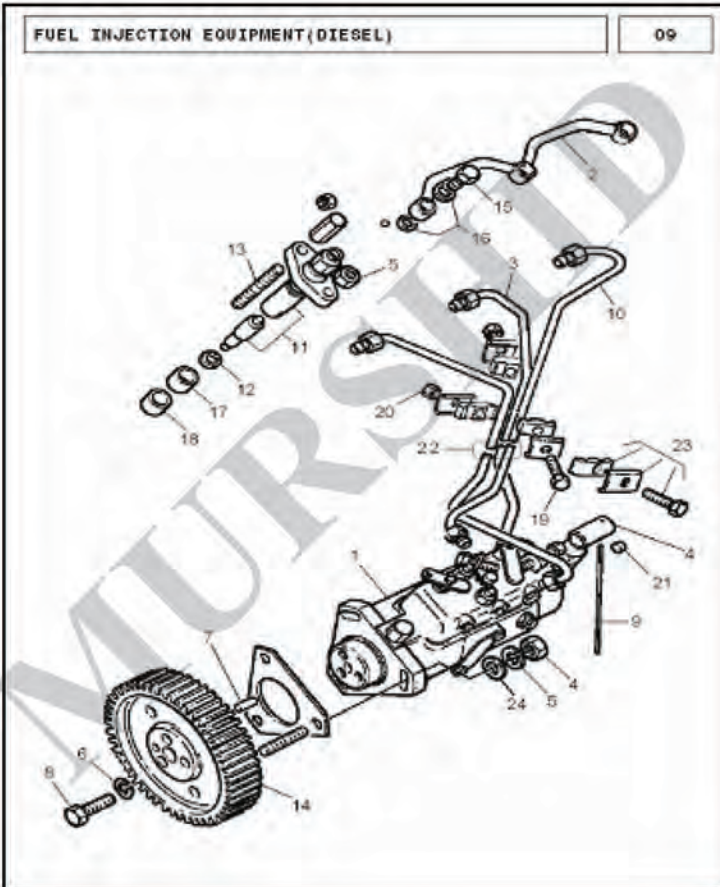
MF240

LUBRICATING PUMP & DELIVERY HOUSING

08



<u>ITEM</u>	<u>CKD</u>	<u>LocalPartNo</u>	<u>QTY</u>	<u>Description</u>	<u>Source</u>
1	41314187	18096	1	PUMP LUB OIL ASSY	L
2	DPA3230F481	18648	1	PUMP	L
2	DPA3238F481	18648	1	PUMP	L
2	Z643B133	18648	1	PUMP	L
3	2235210	18075	3	SCREW	L
4	0920053	18583	3	WASHER	L
5	31163372	18192	1	GEAR L/O PUMP IDLER	L
6	0180831	18645	1	CIRCLIP	L
7	34711129	18049	1	PIPE LUB OIL DELIVERY	L
8	33532121	18158	2	UNION NUT	L
9	0560244	18157	2	OLIVE LUB OIL DELIVERY PIPE	L

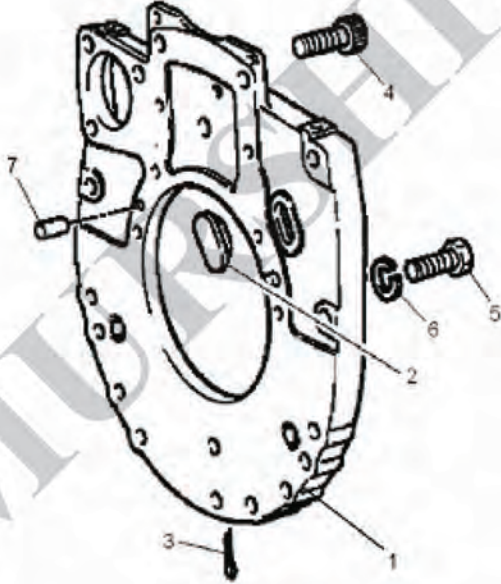


ITEM	CKD	LocalPartNo	QTY	Description	Source
1	2643B133	18648	1	FUEL INJECTION PUMP	L
2	3558X022	18018	1	PIPE FUEL OIL AUTOMISER LE	L
3	3551E008	18093	1	PIPE FUEL INJ NO 2 CYL ASSY	L
4	3281M002	18174	1	SLEEVE THROTTLE LVR ADJ SCREW	L
5	0576002	18549	6	NUT	L
6	0920053	18583	6	WASHER	L
7	0350010	18182	1	DOWEL	L
8	0746214	18538	3	SCREW	L
9	31718105	18659	1	LOCK WIRE	L
10	3551E009	18094	1	PIPE FUEL INJ NO 3 CYL ASSY	L
11	2645630	18649	3	ATOMISER AND HOLDER	L
11	2646466	18649	3	ATOMISER AND HOLDER	L
11	2646825	18649	3	ATOMISER AND HOLDER	L
11	5281620	18649	3	ATOMISER AND HOLDER	L
12	0921173	18591	3	WASHER	L
13	2216105	18570	6	STUD	L
14	31164632	18082	1	GEAR FUEL PUMP DRIVING	L
15	3218R039	18559	3	BOLT (0095315)	L
16	2411D007	18597	6	WASHER (0921176)	L
17	33813126	18623	3	SPACER	L
18	33813127	18630	3	SEAL	L
19	353538X1	18217	1	BOLT 3/8-24X20MM	L
20	2211291	18552	2	NUT	L
21	31718104	29040	2	SEAL	L
22	4184A008	18095	1	PIPE ASSY	L
23	38631117	18627	1	ASSY. CHANNEL WITH PLATE & NUT	L
24	0920003	18567	3	WASHER	L

FLY WHEEL HOUSING**MF240**

FLY WHEEL HOUSING

10

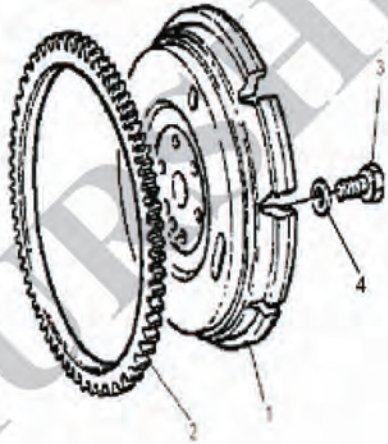


<u>ITEM</u>	<u>CKD</u>	<u>LocalPartNo</u>	<u>QTY</u>	<u>Description</u>	<u>Source</u>
1	37147974	18030	1	ADAPTOR PLATE	L
2	37813113	18175	1	PLUG ADAPTOR PLATE	L
3	0610045	18634	1	SPLIT PIN	L
4	0720798	18655	2	SCREW	L
5	0746454	18544	6	SCREW	L
6	0920054	18584	6	WASHER	L
7	0350016	18180	2	DOWEL	L

FLYWHEEL & STARTER RING**MF240**

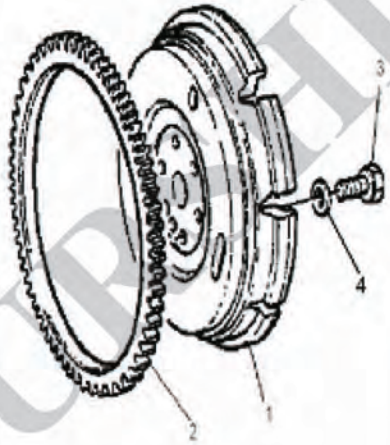
FLYWHEEL & STARTER RING

11



<u>ITEM</u>	<u>CKD</u>	<u>LocalPartNo</u>	<u>QTY</u>	<u>Description</u>	<u>Source</u>
1	31215851	18011	1	FLY WHEEL	L
2	0410236	18047	1	STARTER RING	L
3	32162203	18225	6	BOLT	L
4	33117121	18565	6	WASHER	L



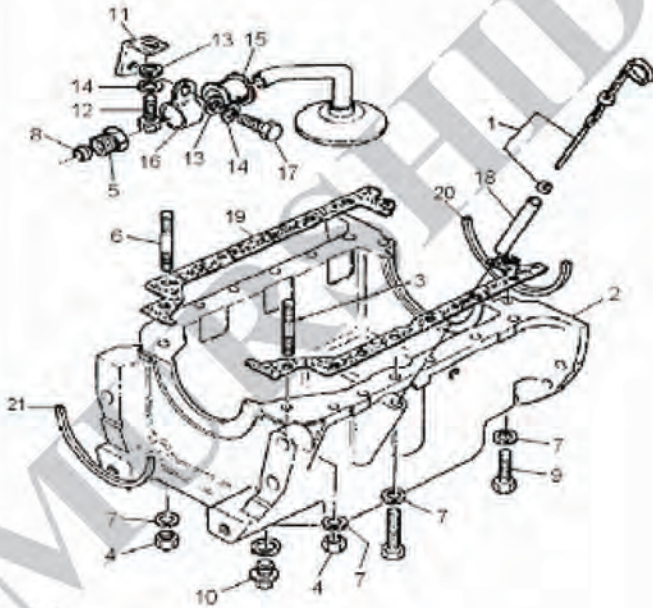


LUBRICATING OIL PUMP

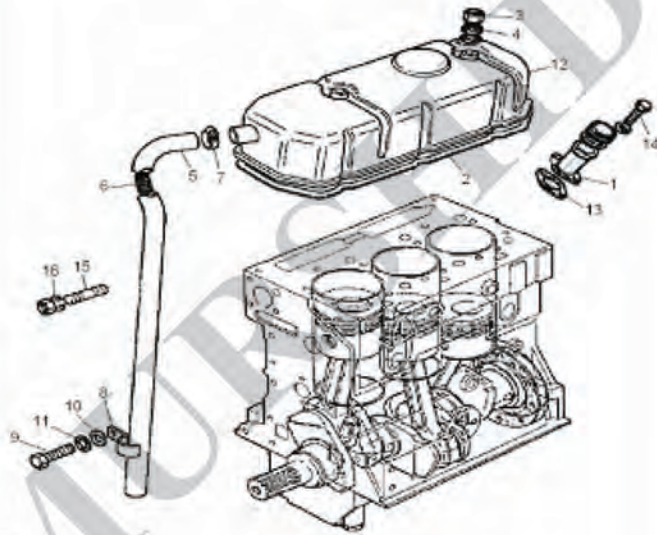
MF240

LUBRICATING OIL PUMP

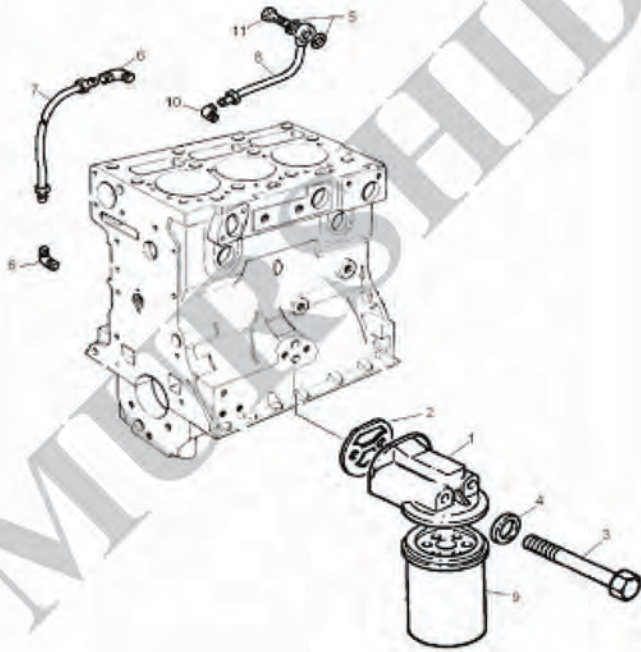
12



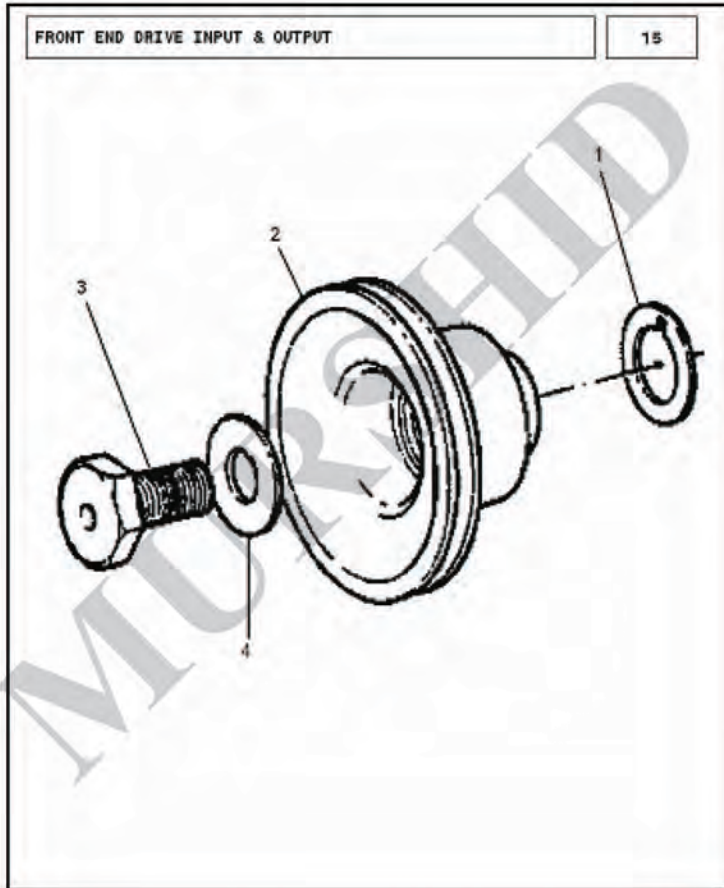
<u>ITEM</u>	<u>CKD</u>	<u>LocalPartNo</u>	<u>QTY</u>	<u>Description</u>	<u>Source</u>
1	3178C088	18661	1	DIPSTICK ASSY.	L
2	37172402	18065	1	SUMP LUB OIL	L
3	0826265	18576	2	STUD	L
4	0576002	18549	3	NUT	L
5	33532121	18158	1	NUT LUB OIL LEVER PIPE	L
6	0826285	18577	1	STUD	L
7	0920053	18583	16	WASHER	L
8	0560244	18157	1	OLIVE LUB OIL DELIVERY PIPE	L
9	0096245	18531	2	SCREW BOLT	L
10	32186405	18596	1	PLUG	L
11	38311124	18190	1	BRACKET SUCTION PIPE SUPP-ASSY	L
12	0746052	18536	1	SCREW	L
13	0920002	18566	2	WASHER	L
14	0920052	18582	2	WASHER	L
15	33817308	18156	1	BUSH SUCTION PIPE CLAMPG CLIP	L
16	36631118	18189	1	CLIP	L
17	0746053	18537	1	SCREW	L
18	33242412	18195	1	TUBE DIPSTICK	L
19	41424233	18038	2	JOINT SUMP TO BLOCK ASSY	L
20	3688V002	18505	1	JOINT LUB OIL SUMP REAR	L
21	3688V003	18504	1	JOINT LUB	L



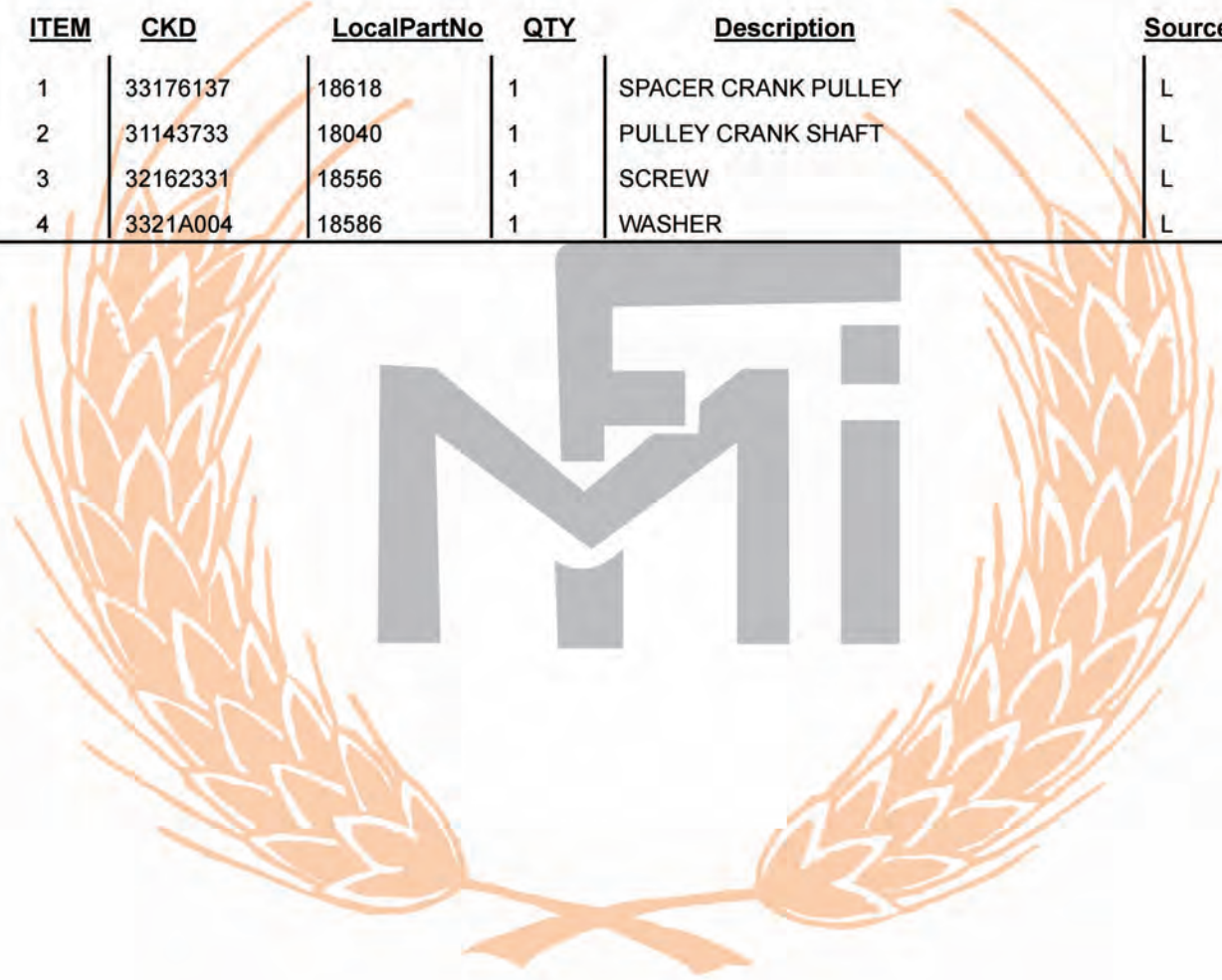
<u>ITEM</u>	<u>CKD</u>	<u>LocalPartNo</u>	<u>QTY</u>	<u>Description</u>	<u>Source</u>
1	35784123	18019	1	FILLER LUB OIL ASSY	L
2	36811115	18025	1	JOINT CYL HD COVER TO CYL HEAD	L
3	0576102	18654	2	NUT	L
4	0920003	18567	2	WASHER	L
5	33872531	18599	1	HOSE	L
6	31754118	18177	1	SPRING	L
7	0180063	18631	1	CLIP	L
8	36561129	18587	2	CLIP	L
9	0748354	18545	1	SCREW	L
10	0920002	18566	1	WASHER	L
11	0920052	18582	1	WASHER	L
12	37188571	18031	1	COVER CYL HEAD ASSY (TAPPET)	L
13	36835432	18201	1	JOINT	L
14	0746254	18539	2	SCREW	L
15	32537404	18581	1	STUD	L
16	0920053	18583	1	WASHER	L

**LUBRICATING OIL FILTER & INTEGRAL COOLER****MF240**

<u>ITEM</u>	<u>CKD</u>	<u>LocalPartNo</u>	<u>QTY</u>	<u>Description</u>	<u>Source</u>
1	37764251	18159	1	HEAD LUB OIL FILTER ASSY	L
2	36813161	18007	1	JOINT CYLBLK L/O FLTR-HD(0490514)	L
3	0096443	18535	2	SCREW	L
4	33115129	18564	2	WASHER	L
5	3314P004	18585	2	WASHER	L
6	0201047	18187	2	ELBOW	L
7	35352404	18015	1	PIPE L/O PRS-RAIL-CAM SHAFT	L
8	35137623	18068	1	PIPE L/O SUCTION ASSY	L
9	2654408	18062	1	FILTER LUB OIL LHS	L
10	37736243	18034	1	CONNECTION CYL BLOCK W/INLET	L
11	0095350	18560	1	BOLT	L



<u>ITEM</u>	<u>CKD</u>	<u>LocalPartNo</u>	<u>QTY</u>	<u>Description</u>	<u>Source</u>
1	33176137	18618	1	SPACER CRANK PULLEY	L
2	31143733	18040	1	PULLEY CRANK SHAFT	L
3	32162331	18556	1	SCREW	L
4	3321A004	18586	1	WASHER	L

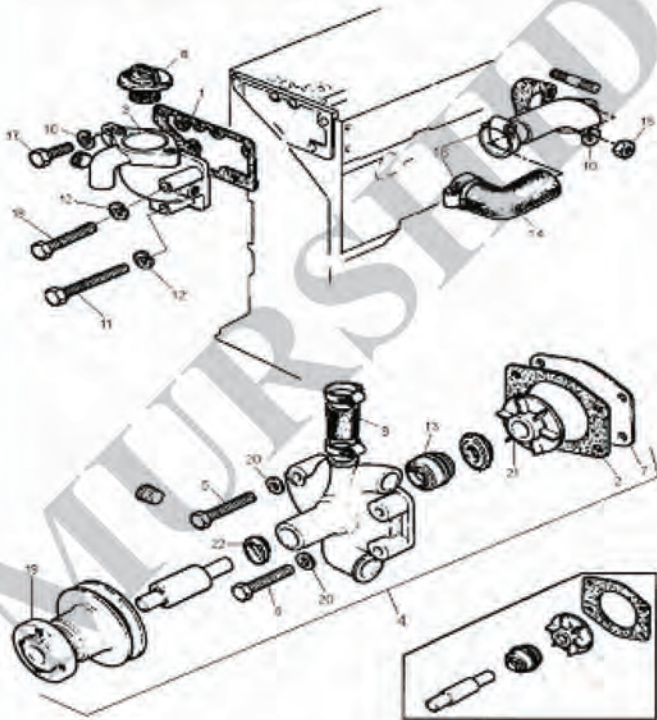


WATER PUMP THERMOSTATE & HEAT EXCHANGER

MF240

WATER PUMP THERMOSTATE & HEAT EXCHANGER

16

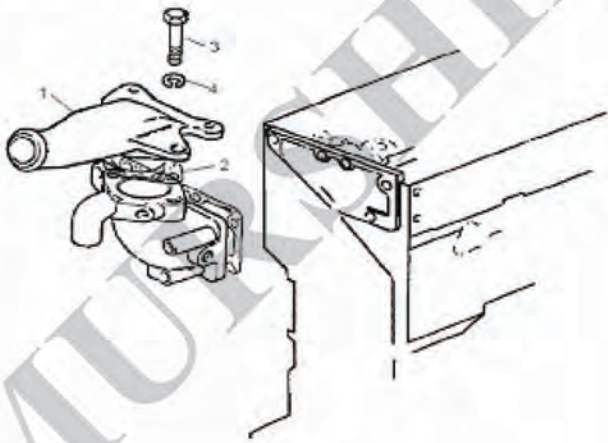


<u>ITEM</u>	<u>CKD</u>	<u>LocalPartNo</u>	<u>QTY</u>	<u>Description</u>	<u>Source</u>
1	3685A005	18003	1	JOINT THMT HSG TO CYL HEAD(0490482)	L
2	36861118	18004	1	JOINT BACK PLATE TO W/PUMP(0490484)	L
3	37766363	18036	1	HOUSING THERMOSTAT/WATER BODY	L
4	41312992	18500	1	WATER PUMP ASSY	B
5	2233207	18524	3	SCREW	L
6	2232133	18074	1	SCREW	L
7	3623H004	18172	1	PLATE WATER PUMP BACKPLATE	L
8	2485659	18638	1	THERMOSTAT	L
8	2485666	18638	1	THERMOSTAT	L
9	0202016	18053	1	HOSE BY PASS CONN- W/PUMP BDY	L
10	0920053	18583	2	WASHER	L
11	0096437	18533	1	SCREW	L
12	0920054	18584	2	WASHER	L
13	31718104	18625	1	SEAL	L
14	34821422	18059	1	HOSE CYL BLK PIP TO INLET CONN	L
15	0576002	18549	3	NUT	L
16	0180067	18633	2	CLIP	L
17	2183205	18506	2	BOLT	L
18	0096441	18534	1	SCREW	L
19	31145741	18043	1	PULLY, WATER PUMP	L
20	2411152	187050	4	WASHER	L
21	37447194	N/a	1	IMPELLER	L
22	0650586	18592	1	PLUG	L

WATER OUTLET & INLET**MF240**

WATER OUTLET & INLET

17



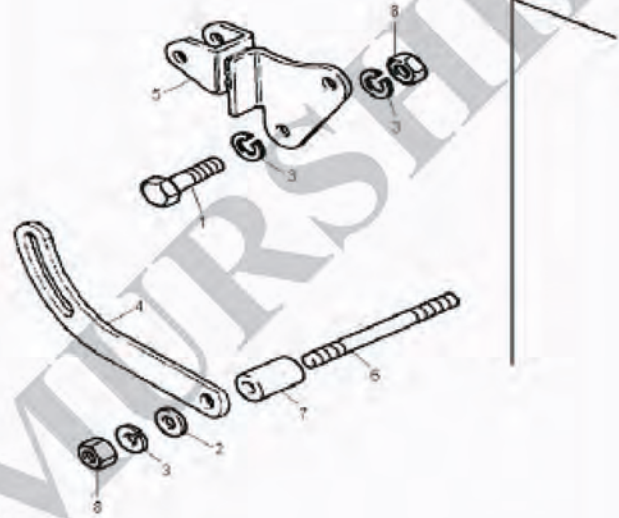
<u>ITEM</u>	<u>CKD</u>	<u>LocalPartNo</u>	<u>QTY</u>	<u>Description</u>	<u>Source</u>
1	37747581	18035	1	WATER OUTLET	L
2	36834169	18603	1	JOINT	L
3	0096432	18532	2	SCREW	L
4	0920054	18584	2	WASHER	L

Mi

ALTERNATOR POSITIONER**MF240**

ALTERNATOR POSITIONER

18

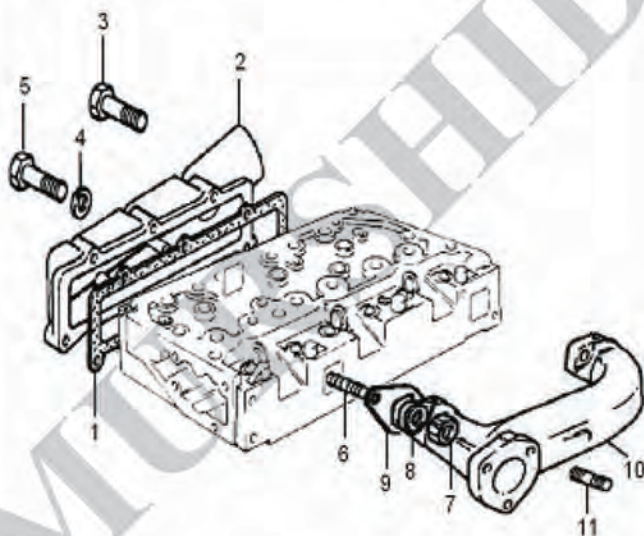


<u>ITEM</u>	<u>CKD</u>	<u>LocalPartNo</u>	<u>QTY</u>	<u>Description</u>	<u>Source</u>
1	0096215	18529	2	SCREW	L
2	0920003	18567	1	WASHER	L
3	0920053	18583	3	WASHER	L
4	36178174	18020	1	LINK ALTERNATOR	L
5	37581173	18509	1	BRACKET ALTERNATOR	L
6	2217576	18572	1	STUD	L
7	33135423	18069	1	SPACER ALTERNATOR ADJNG LEVER	L
8	0576002	18549	2	NUT	L

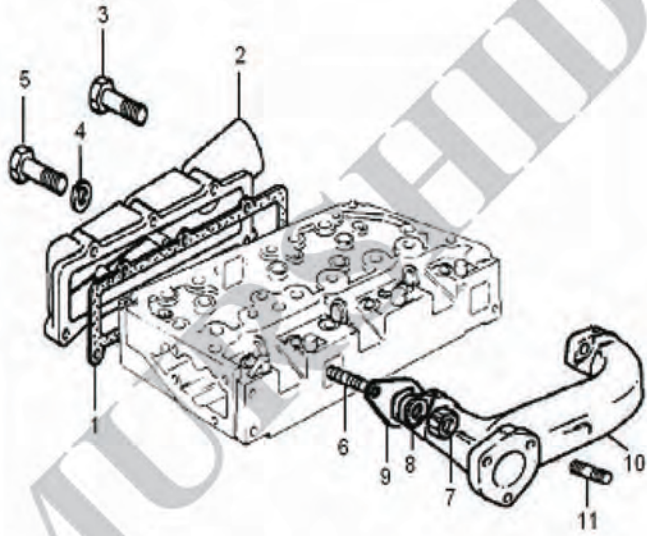
INDUCTION & EXHAUST MANIFOLD**MF240**

INDUCTION AND EXHAUST MANIFOLD

19



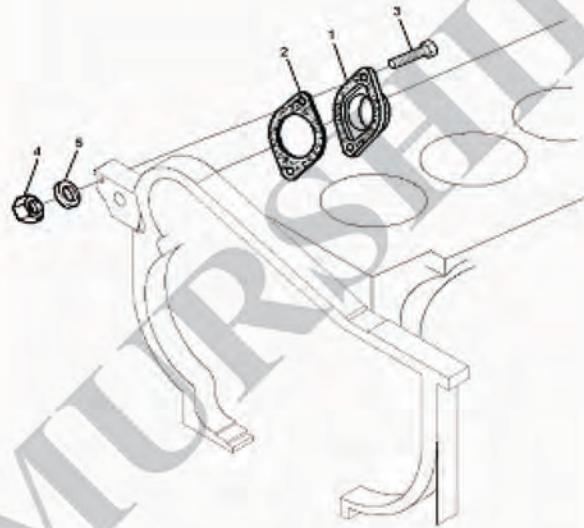
<u>ITEM</u>	<u>CKD</u>	<u>LocalPartNo</u>	<u>QTY</u>	<u>Description</u>	<u>Source</u>
1	36867201	18027	1	JOINT IND.MANIFOLD-C.HEAD(36867153)	L
2	37786351	18061	1	INDUCTION MANIFOLD (FRONT INTAKE)	L
3	0746019	18508	5	SCREW	L
4	0920052	18582	7	WASHER	L
5	361675X1	18107	2	BOLT 1/4-28 X 3-1/4	L
6	0826232	18575	4	STUD	L
7	2188134	18624	4	NUT	L
8	0920003	18567	4	WASHER	L
9	36862198	18028	2	JOINT CYL HEAD TO EXH-MANIFOLD	L
10	37781571	18214	1	EXHAUST MANIFOLD	L
11	0826403	18578	3	STUD	L



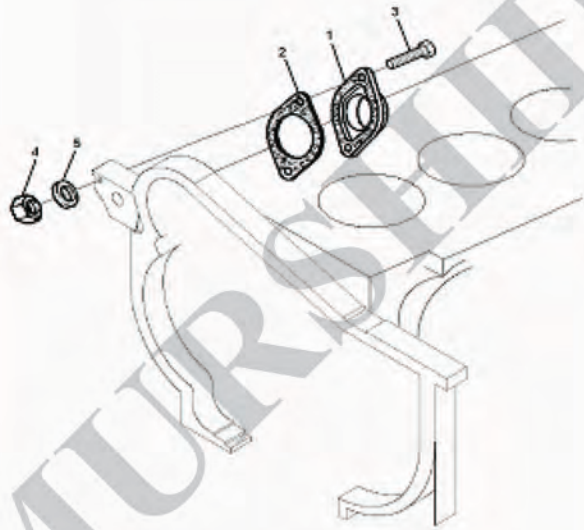
GEAR DRIVE AUXILIARY DRIVE OPTION**MF240**

GEAR DRIVE AUXILIARY DRIVE OPTION

20



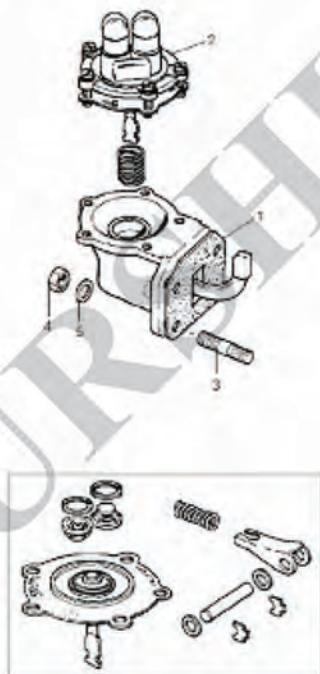
<u>ITEM</u>	<u>CKD</u>	<u>LocalPartNo</u>	<u>QTY</u>	<u>Description</u>	<u>Source</u>
1	36234114	18021	1	PLATE BLANKING	L
2	36835432	18201	1	JOINT	L
3	0748510	18547	2	SCREW	L
4	2238153	18521	2	NUT	L
5	0920054	18584	2	WASHER	L



LOW PRESSURE FUEL SYSTEM**MF240**

LOW PRESSURE FUEL SYSTEM

21



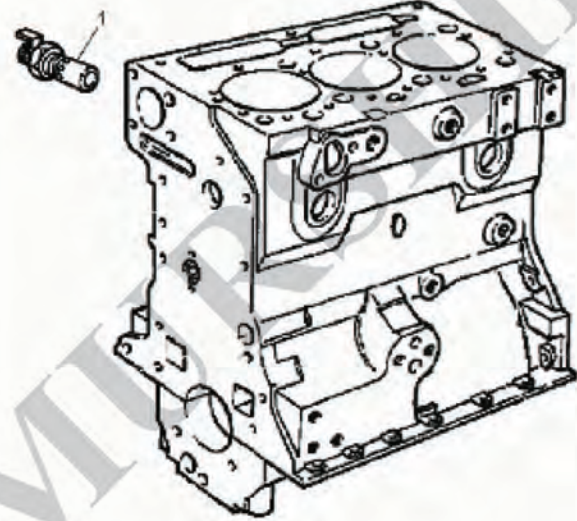
<u>ITEM</u>	<u>CKD</u>	<u>LocalPartNo</u>	<u>QTY</u>	<u>Description</u>	<u>Source</u>
1	3685A026	18060	1	JOINT (36851123)	L
2	2641808	18222	1	LIFT PUMP	L
3	0826210	N/a	4	STUD	L
4	33221115	187088	4	NUT FUEL OIL LIFT PUMP RETAINING	L
5	33114412	N/a	4	WASHER	L

COLD START SYSTEM

MF240

COLD START SYSTEM

22



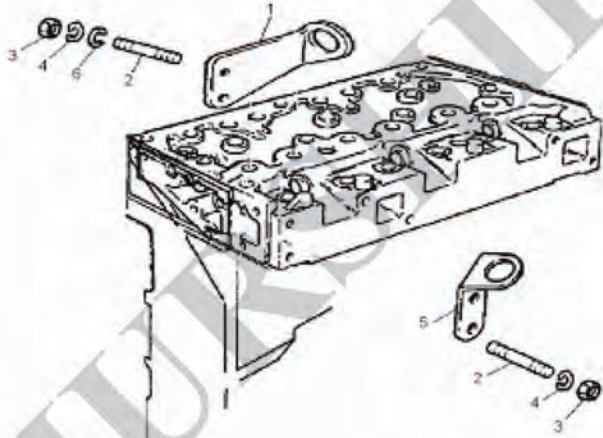
<u>ITEM</u>	<u>CKD</u>	<u>LocalPartNo</u>	<u>QTY</u>	<u>Description</u>	<u>Source</u>
1	2666108	18161	1	HEATER IND MANIFOLD	L



ENGINE LIFTING**MF240**

ENGINE LIFTING

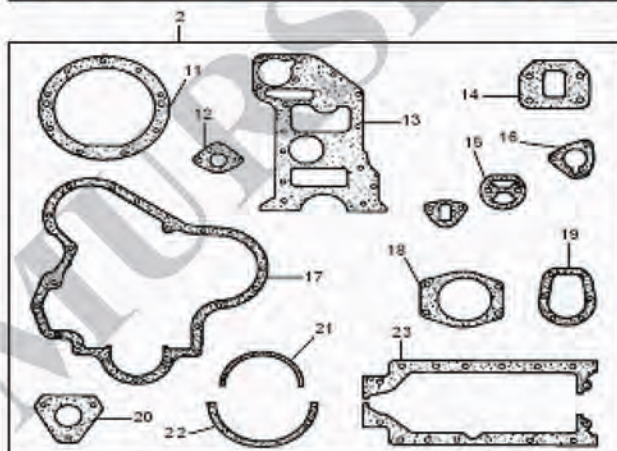
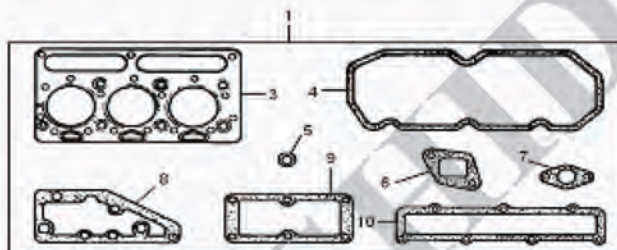
23



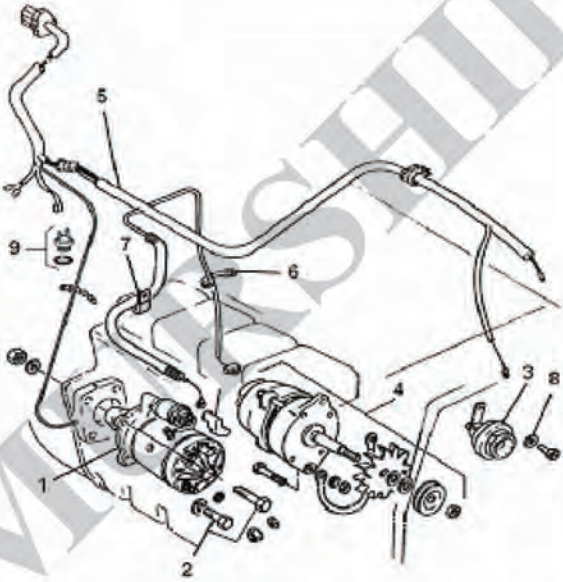
<u>ITEM</u>	<u>CKD</u>	<u>LocalPartNo</u>	<u>QTY</u>	<u>Description</u>	<u>Source</u>
1	36237171	18208	1	PLATE ENGINE LIFTING REAR	L
2	0826462	18579	2	STUD	L
2	0826463	18580	2	STUD	L
3	0576051	18550	4	NUT	L
4	0920054	18584	4	WASHER	L
5	36456321	18207	1	PLATE ENGINE LIFTING FRONT	L
6	831581M2	92004	1	RING SNAP	L

JOINT KITS

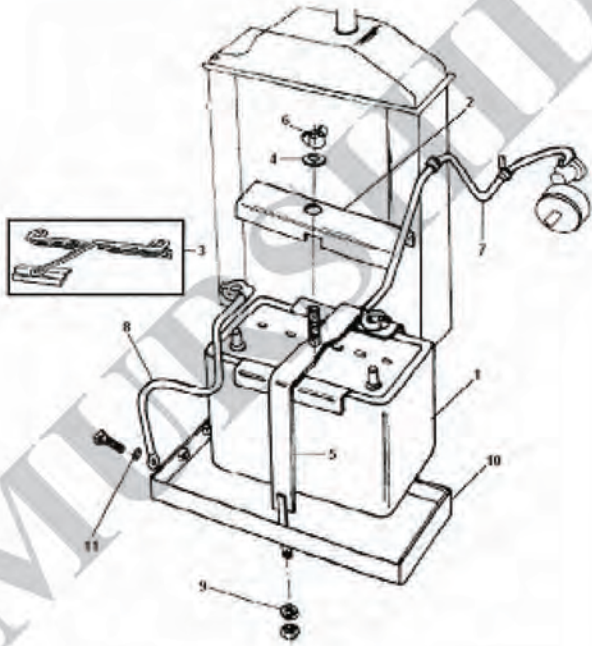
24



ITEM	CKD	LocalPartNo	QTY	Description	Source
1	36812127	18039	1	GASKET CYL HEAD	L
1	U5LT0038	N/a	1	KIT,JOINT TOP OVERHAUL	L
2	36814161	18026	1	JOINT CYL BLOCK TMGCASE(36814119)	L
2	U5LT0011	N/a	1	KIT,JOINT BOTTOM OVERHAUL	L
3	33826115	18600	1	JOINT	L
3	36812127	18039	1	GASKET CYL HEAD	L
3	3681E006	18039	1	GASKET CYL HEAD	L
4	36811115	18025	1	JOINT CYL HD COVER TO CYL HEAD	L
4	36837415	18601	1	JOINT	L
5	0921173	18591	3	WASHER	L
6	3688C009	185086	2	JOINT	L
7	36834169	18603	1	JOINT	L
8	3685A005	18003	1	JOINT THMT HSG TO CYL HEAD(0490482)	L
9	36851416	18602	1	JOINT	L
10	3681V011	185092	1	JOINT	L
11	33826115	18600	1	JOINT	L
12	3686J003	18006	1	JOINT CYL BLK/W-INLET CONNECT	L
13	36814161	18026	1	JOINT CYL BLOCK TMGCASE(36814119)	L
13	41424233	18038	2	JOINT SUMP TO BLOCK ASSY	L
14	3685A026	18060	1	JOINT (36851123)	L
15	36813161	18007	1	JOINT CYLBLK L/O FLTR-HD(0490514)	L
16	3381A003	18607	2	WASHER	L
17	36813158	18014	1	JOINT FRONT COVER TMGCASE(36813136)	L
18	36861118	18004	1	JOINT BACK PLATE TO W/PUMP(0490484)	L
19	36862572	18024	1	JOINT FRONT COVER TO BLNK PLT	L
20	3682A008	183069	1	JOINT	L
21	3688V003	18504	1	JOINT	L
22	3688V002	18505	1	JOINT	L

**ELECTRIC EQUIPMENT****MF240**

<u>ITEM</u>	<u>CKD</u>	<u>LocalPartNo</u>	<u>QTY</u>	<u>Description</u>	<u>Source</u>
1	3597426M3	24001	1	STARTER MOTOR 2 M 113	L
2	0746259	18542	2	SCREW	L
3	1678404M1	24008	1	HORN	L
4	1676690M92	24010	1	ALTERNATOR & PULLEY	L
5	3599810M91	24052	1	MAIN HARNESS	L
6	1670082M1	24064	2	STRAP	L
7	1873842M1	19306	1	TRAY FUEL LIFT PUMP	L
8	353446X1	19017	1	WASHER 5/16	L
9	3761983M91	12131	2	ASSY SWITCH	L

**BATTERY****MF240**

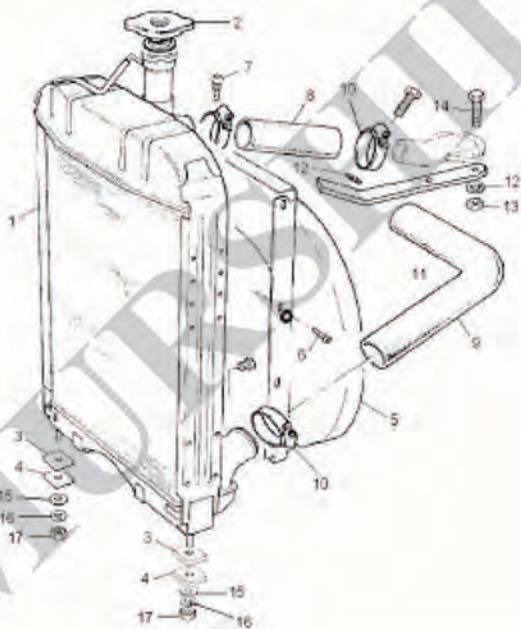
<u>ITEM</u>	<u>CKD</u>	<u>LocalPartNo</u>	<u>QTY</u>	<u>Description</u>	<u>Source</u>
1	3597859M1	31001	1	BATTERY DRY N.D.	L
2	3700879P3	31026	1	COVER BATTERY CELL	L
3	3759201M91	31024	1	ASSY BATT. RETAINER	L
4	353441X1	13084	2	WASHER 1/4	L
5	1876229M1	31028	2	STRAP	L
6	355582X1	31007	3	WING NUT 1/4 - 28	L
7	1688835M93	31018	1	CABLE POSITIVE	L
8	1678610M91	31019	1	CABLE NEGATIVE	L
9	353516X2	31010	1	WASHER	L
10	3759275P91	23102	1	BATTERY BOX	L
11	390892X1	25305	1	PLAIN WASHER M-8	L

COOLING SYSTEM

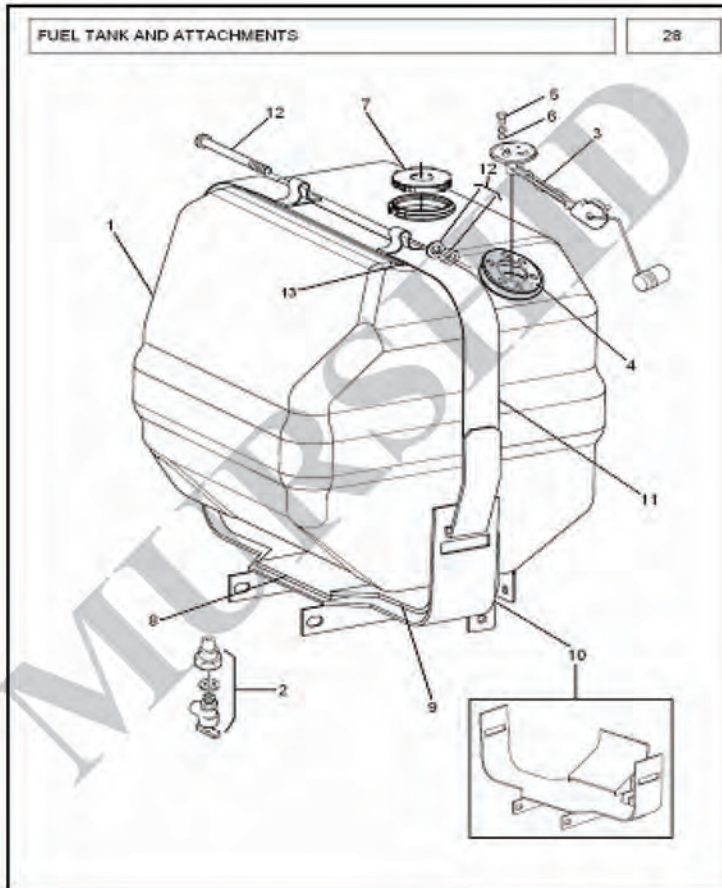
MF240

COOLING SYSTEM

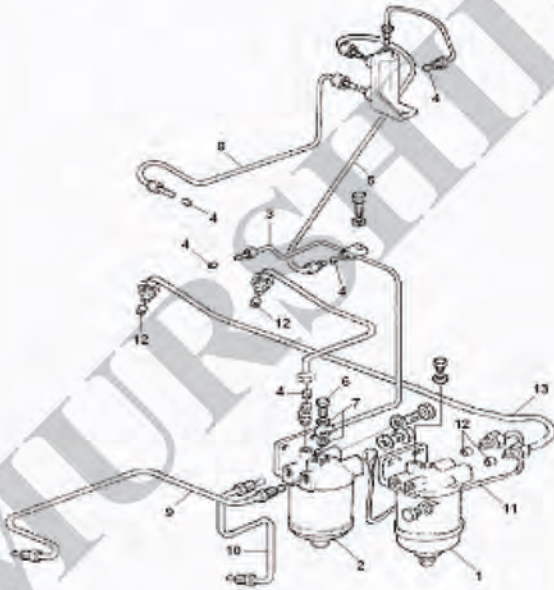
27



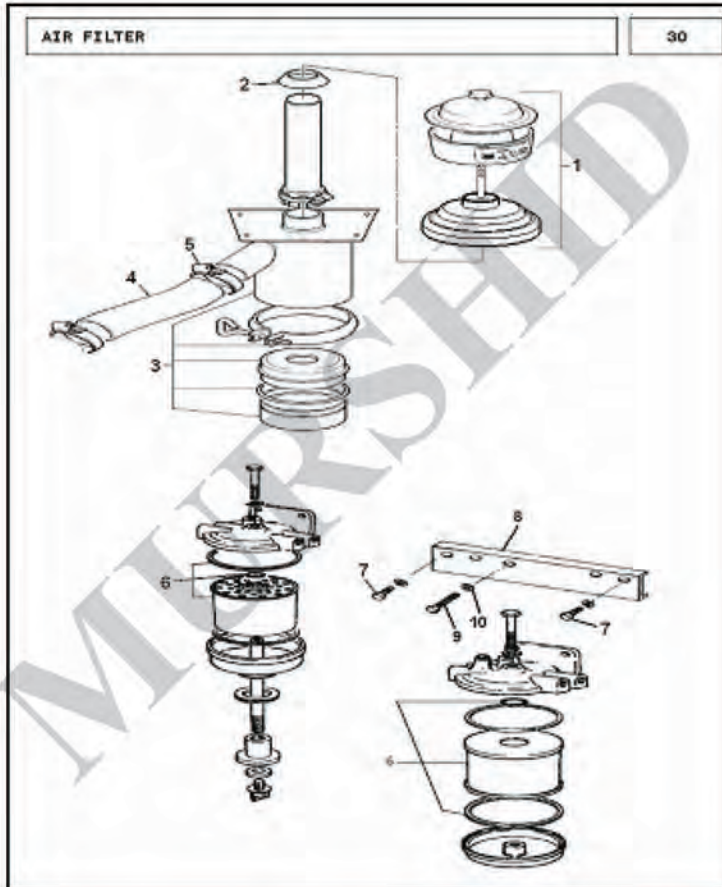
<u>ITEM</u>	<u>CKD</u>	<u>LocalPartNo</u>	<u>QTY</u>	<u>Description</u>	<u>Source</u>
1	1680547M92	21057	1	ASSY RADIATOR WITH CAP	L
2	180224M92	213002	1	ASSY CAP RADIATOR	L
3	1660611M1	21004	2	WASHER	L
4	180705M1	21005	2	PACKING	L
5	883938M4	21009	1	ASSY SHROUD	L
6	0746257	18541	11	SCREW	L
7	180673M1	21011	1	BUMPER	L
8	1869514M1	21012	1	HOSE TOP	L
9	1860374M2	21013	1	HOSE BOTTOM	L
10	338616X1	21058	4	HOSE CLIP	L
11	1676354P1	21055	1	BRACE SUPPORT	L
12	353446X1	19017	2	WASHER 5/16	L
13	355565X1	21056	2	NUT 5/16-18	L
14	353679X1	21020	1	BOLT 5/16-18 X 1	L
15	353772X1	22006	2	WASHER HARDENED 7/16	L
16	339376X1	163181	2	WASHER LOCK M10	L
17	363625X1	11027	2	NUT 7/16-20	L



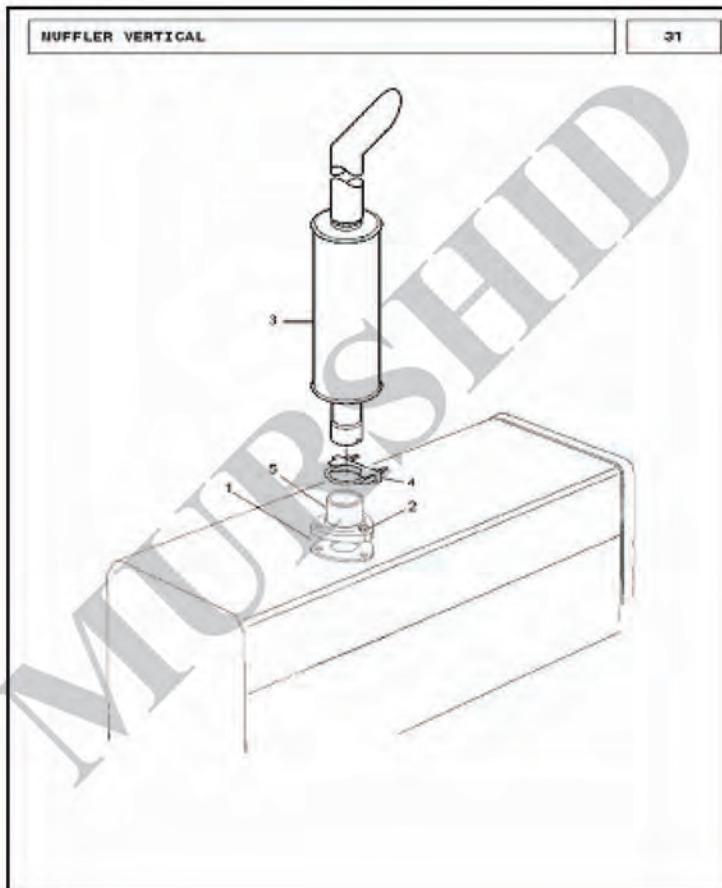
ITEM	CKD	LocalPartNo	QTY	Description	Source
1	1672762M93	19304	1	ASSY TANK FUEL	L
2	1694985M92	19002	1	FUEL-TAP	L
3	1661794M92	19076	1	ASSY SENDING UNIT	L
4	1674250M1	19004	1	GASKET	L
5	1699765M1	19317	6	SCREW M4 L. 12	L
6	377748X1	19314	6	FIBRE WASHER ID 4.83/4.57 OD9.5	L
7	1876534M91	19018	1	ASSY CAP FUEL TANK	L
8	N/a	19081	1	CARPET	L
9	N/a	19082	2	CARPET PIECE	L
10	1866654P91	23093	1	BRACKET FUEL TANK	L
11	N/a	23099	2	HOLDING BRACKET LH/RH	L
12	N/a	19077	1	KIT BOLT,NUT,WASHER	L
13	N/a	19072	1	STRIP FUEL TANK	L

**FUEL FILTER & PIPES****MF240**

<u>ITEM</u>	<u>CKD</u>	<u>LocalPartNo</u>	<u>QTY</u>	<u>Description</u>	<u>Source</u>
1	883786M91	19019	1	ASSY FILTER/AGGLOMERATOR W PRIMARY	L
2	886373M91	19078	1	FUEL FILTER SECONDARY	L
3	3700421M91	19067	1	PIPE	L
4	376524X1	19061	5	OLIVE	L
5	884473M93	19084	1	RET. PIPE LEAK OFF RAIL-FUEL TNK	L
6	731352M1	19310	1	BANJO BOLT M10x1.5	L
7	731353M1	19315	2	WASHER FIBRE I/D13/32 O/D19/32	L
8	884472M94	19066	1	PIPE	L
9	888490M91	19071	1	ASSY.PIPE INJ PUMP/FLT	L
10	888482M91	19070	1	ASSY.PIPE FLT/INJ PUMP	L
11	888484M91	19068	1	PIPE FILTER TO FILTER	L
12	376525X1	19062	4	OLIVE	L
13	888488M93	195001	1	PIPE LIFT PUMP TO PRIMARY FILTER	L

AIR FILTER**MF240**

<u>ITEM</u>	<u>CKD</u>	<u>LocalPartNo</u>	<u>QTY</u>	<u>Description</u>	<u>Source</u>
1	3761802M1	45075	1	PRE CLEANER ASSY	L
2	1683302M1	45013	1	COLLAR	L
3	883914P93	45062	1	OIL BATH AIR CLEANER	L
4	898104M1	45063	1	HOSE AIR CLEANER	L
5	338618X1	45076	2	HOSE CLIP	L
6	26561117	19021	1	ELEMENT	L
7	361488X1	19309	4	SCREW 3/8 - 24 L. 1	L
8	1884249M92	23083	1	ASSY BRACKET FF	L
9	353518X1	233230	1	SCREW 5/16 24X7/8	L
10	353446X1	19017	5	WASHER 5/16	L

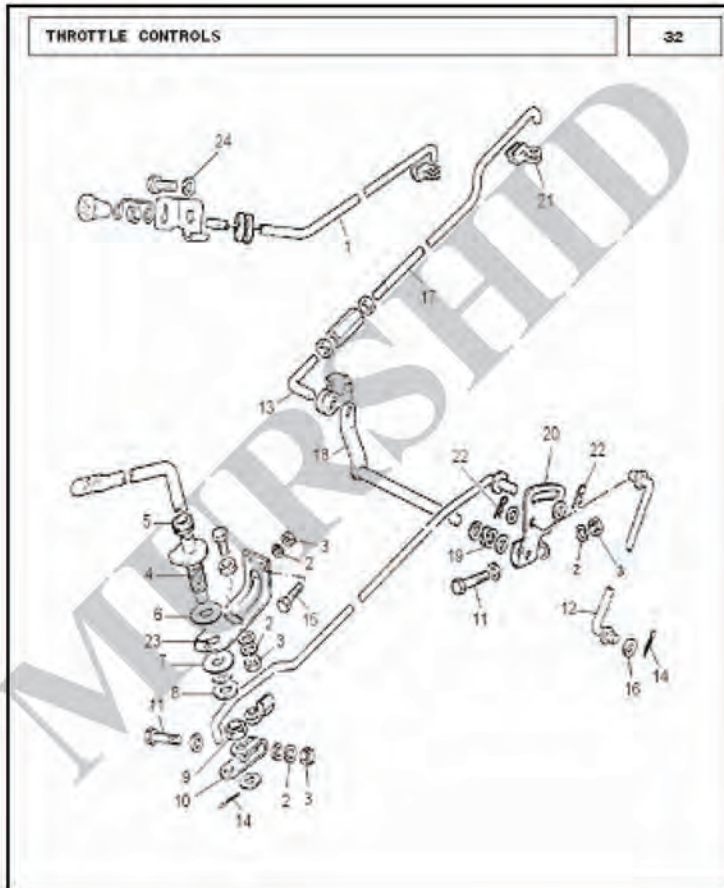
MUFFLER VERTICAL**MF240**

<u>ITEM</u>	<u>CKD</u>	<u>LocalPartNo</u>	<u>QTY</u>	<u>Description</u>	<u>Source</u>
1	827877M1	20008	1	EXHAUST GASKET	L
2	376448X1	20007	3	LOCK NUT 3/8 UNF	L
3	1688171M6	20009	1	SILENCER	L
4	1690363M91	20005	1	ASSY CLAMP	L
5	1693855M1	18215	1	ELBOW VERTICAL	L



THROTTLE CONTROLS

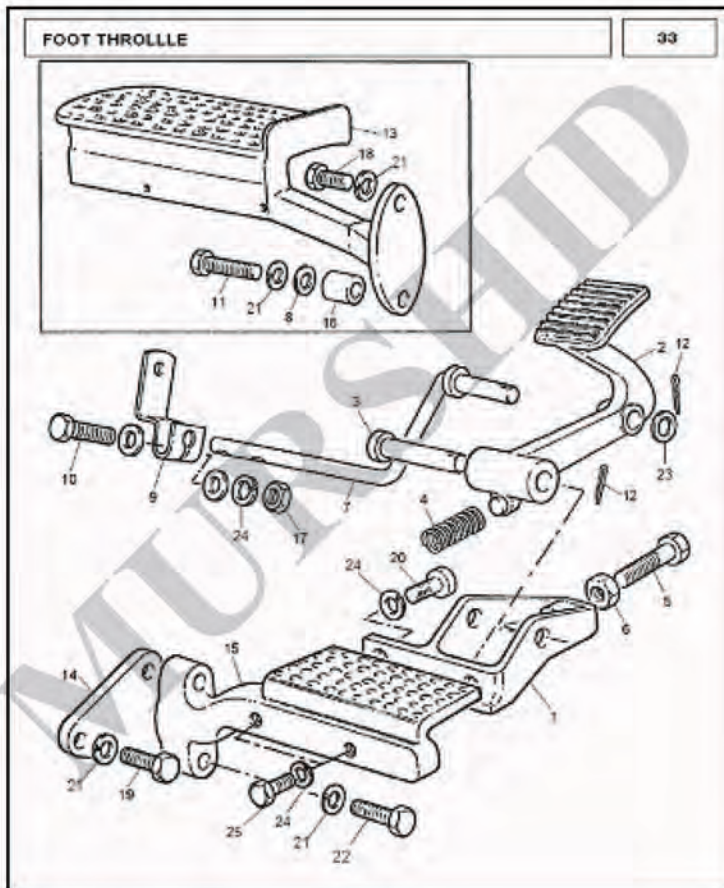
MF240



<u>ITEM</u>	<u>CKD</u>	<u>LocalPartNo</u>	<u>QTY</u>	<u>Description</u>	<u>Source</u>
1	1675030M2	13096	1	CABLE FUEL CUT OFF	L
2	353441X1	13084	4	WASHER 1/4	L
3	353918X1	13025	4	NUT 1/4-28	L
4	1861552M91	13013	1	ASSY LEVER STOP PLATE	L
5	1875716M2	13015	1	GROMMET	L
6	1693890M1	13016	1	FRICITION WASHER	L
7	880713M1	13018	1	WASHER SPECIAL	L
8	880712M1	13019	3	WASHER BELLEVILLE	L
9	884737M1	13098	1	LOCK NUT	L
10	828019M2	13021	1	LEVER-THROTTLE CONTROL	L
11	353507X1	13022	2	BOLT 1/4-28 X 1.1/4	L
12	897466M91	13095	1	ROD FOOT THROTTLE	L
13	897633M2	13094	1	ROD THROTTLE CONTROL RH	L
14	354048X1	13071	4	PIN COTTER	L
15	362477X1	13076	2	SCREW 7/16-14 X 1.1/4	L
16	376803X1	13069	2	WASHER	L
17	897633M91	13200	1	ASSY. ROD THROTTLE CONTROL	L
18	890278M91	13092	1	ASSY CROSS SHAFT	L
19	375252X1	13105	1	WASHR LOCK ID 0.39 OD 0.67 T0.046	L
20	897467M1	13036	1	LEVER QUARANT CROSS SHAFT	L
21	894225M1	13104	2	CLIP LINKAGE	L
22	376804X1	13070	2	CLIP	L
23	1861554P1	13090	1	BRACKET	L
24	376721X1	10268	1	WASHER 7/16	L

FOOT THROTTLE

MF240

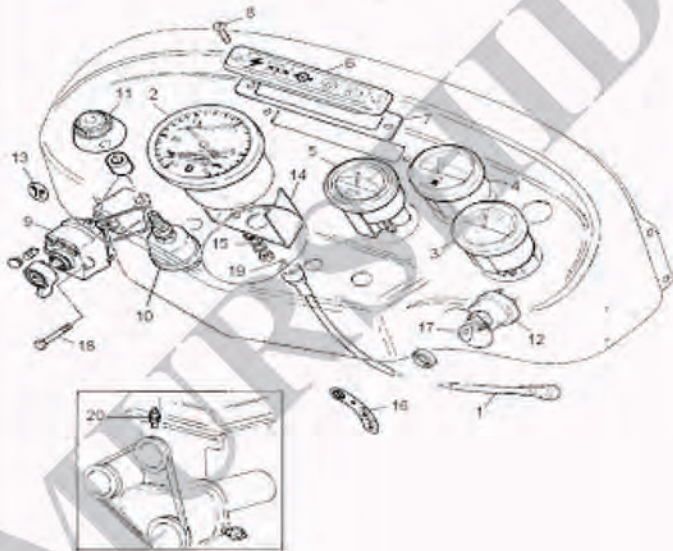


<u>ITEM</u>	<u>CKD</u>	<u>LocalPartNo</u>	<u>QTY</u>	<u>Description</u>	<u>Source</u>
1	1866841M1	13053	1	SUPPORT FOOT THROTTLE	L
2	897547M1	13054	1	PEDAL THROTTLE	L
3	195610M1	13055	1	PIN-CLEVIS 3/8	L
4	828656M1	13106	1	SPRING	L
5	890066M1	13058	1	BOLT PEDAL STOP	L
6	375108X1	13087	1	JAM NUT 5/16 - 18	L
7	893470M91	13060	1	ASSY. SHAFT RELAY	L
8	353757X1	13082	1	WASHER-FLAT 7/16	L
9	897469M91	13063	1	ASSY LEVER RELAY	L
10	353507X1	13022	1	BOLT 1/4-28 X 1.1/4	L
11	362495X1	13080	1	BOLT 7/16-14X2-5/8	L
12	354048X1	13071	2	PIN COTTER	L
13	1672928M5	13074	1	FOOT REST LH	L
14	180870M1	13075	2	PLATE-SPACER	L
15	1860939M2	13079	1	FOOT REST RH	L
16	888320M1	13083	1	SPACER	L
17	353918X1	13025	1	NUT 1/4-28	L
18	377883X1	13086	2	BOLT 7/16 - 14 UNC - 2A L. 1	L
19	362475X1	13077	1	BOLT 7/16 - 14 L. 1.25	L
20	353502X1	13028	1	SCREW 1/4-28 x 3/4	L
21	376721X1	10268	4	WASHER 7/16	L
22	353700X1	40006	2	BOLT 7/16-14 X 1-1/4	L
23	353755X1	34015	1	WASHER 5/16	L
24	353441X1	13084	5	WASHER 1/4	L
25	353501X1	N/a	2	BOLT 1/4-28 X 13	L

INSTRUMENTS**MF240**

INSTRUMENTS

34

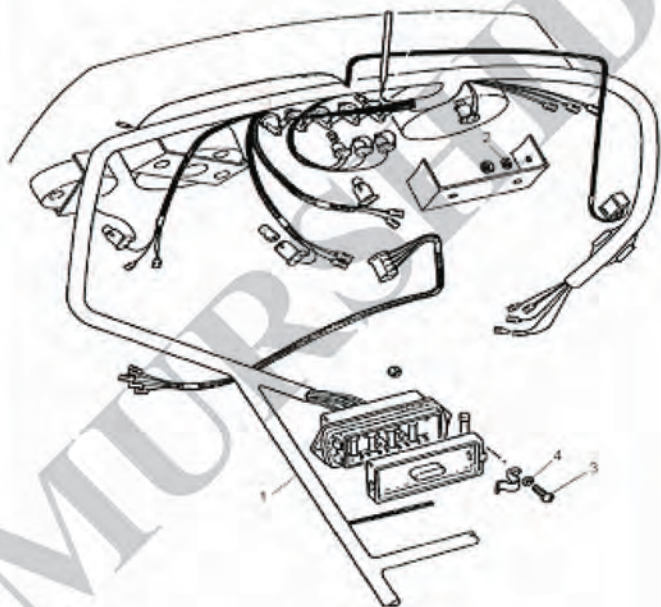


<u>ITEM</u>	<u>CKD</u>	<u>LocalPartNo</u>	<u>QTY</u>	<u>Description</u>	<u>Source</u>
1	1699381M91	29036	1	CABLE SPEED-O-METER	L
2	1674638M92	29005	1	TRACTOR METER	L
3	1877719M92	29009	1	TEMPERATURE GAUGE	L
4	1877717M92	29010	1	FUEL GAUGE	L
5	1672835M2	29011	1	BATTERY GAUGE	L
6	1663555M92	29013	1	ASSY LOCUS LAMP HSG	L
7	1669957M1	29014	1	GASKET WARNING LIGHT	L
8	377245X1	29043	2	SCREW 10 - 24 UNC - 2A L. 3/4	L
9	1682977M1	29028	1	UNIT BLINKER	L
10	1668816M2	29017	1	LIGHT SWITCH	L
11	1668830M91	29018	1	KNOB LIGHT SWITCH	L
12	1874535M3	29021	1	ASSY SWITCH HEAT / START	L
13	1875315M1	29025	1	EMBLEM TURN SIGNAL	L
14	N/a	29031	1	CLAMP	L
15	N/a	29033	2	SPACER INST. PANEL	L
16	3760644M1	29022	2	DECAL IGNITION SWITCH	L
17	1695447M1	29027	2	KEY IGNITION	L
18	365921X1	29012	2	SELF TAP SCREW 10 - 16	L
19	N/a	29041	2	WIRE	L
20	1877731M92	29003	1	ASSY TRANSMITTER TEMP	L

INSTRUMENT PANNEL WIRING**MF240**

INSTRUMENT PANNEL WIRING

35



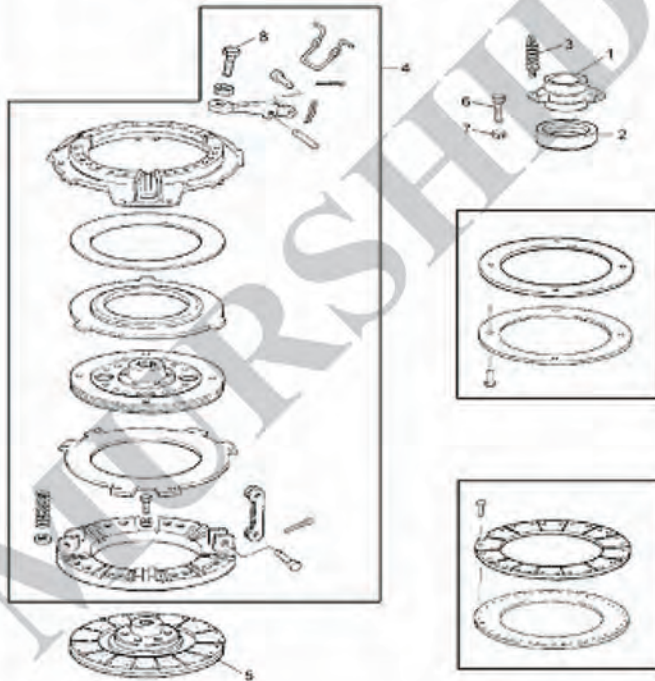
<u>ITEM</u>	<u>CKD</u>	<u>LocalPartNo</u>	<u>QTY</u>	<u>Description</u>	<u>Source</u>
1	3613849M91	29024	1	ASSY HARNESS	L
2	353441X1	13084	1	WASHER 1/4	L
3	187137M1	23047	6	SCREW 10 - 32 UNF - 2A	L
4	357515X1	23048	6	NUT 10 - 32	L

A large, stylized logo watermark is centered on the page. It features the letters 'M' and 'i' in a bold, sans-serif font. The 'M' is significantly larger than the 'i'. The logo is surrounded by a decorative wreath of orange and yellow leaves, resembling a laurel wreath. The entire logo is semi-transparent, allowing the underlying text and table to be visible.

DUAL CLUTCH**MF240**

DUAL CLUTCH

36

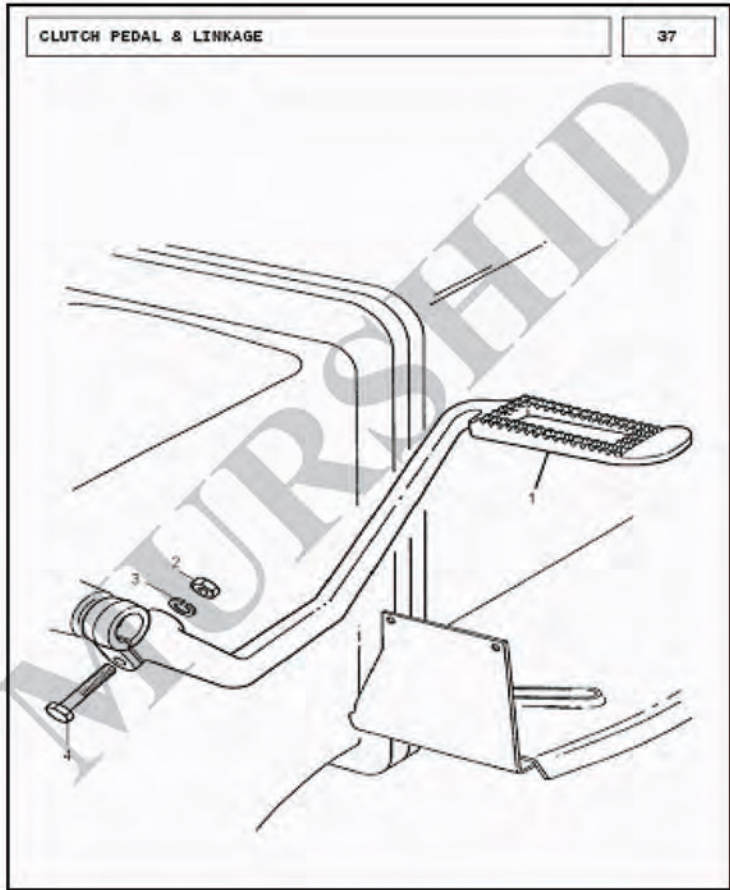


<u>ITEM</u>	<u>CKD</u>	<u>LocalPartNo</u>	<u>QTY</u>	<u>Description</u>	<u>Source</u>
1	886727M3	46005	1	CARRIER CLUTCH BEARING REL	L
2	892862M3	46043	1	BEARING RELEASE	I
3	1867690M2	46042	2	SPRING	L
4	3599463M92	46040	1	ASSY CLUTCH COVER	L
5	3610274M92	46035	1	ASSY.PLATE DRIVEN	L
6	887892M1	46036	6	BOLT 5/16-18 UNC-3 THD. L.1.74	L
7	19752X	46041	6	SPRING WASHER ID 0.319 OD 0.601	L
8	361549X1	11025	3	BOLT 7/16 - 20 L. 2.50	L

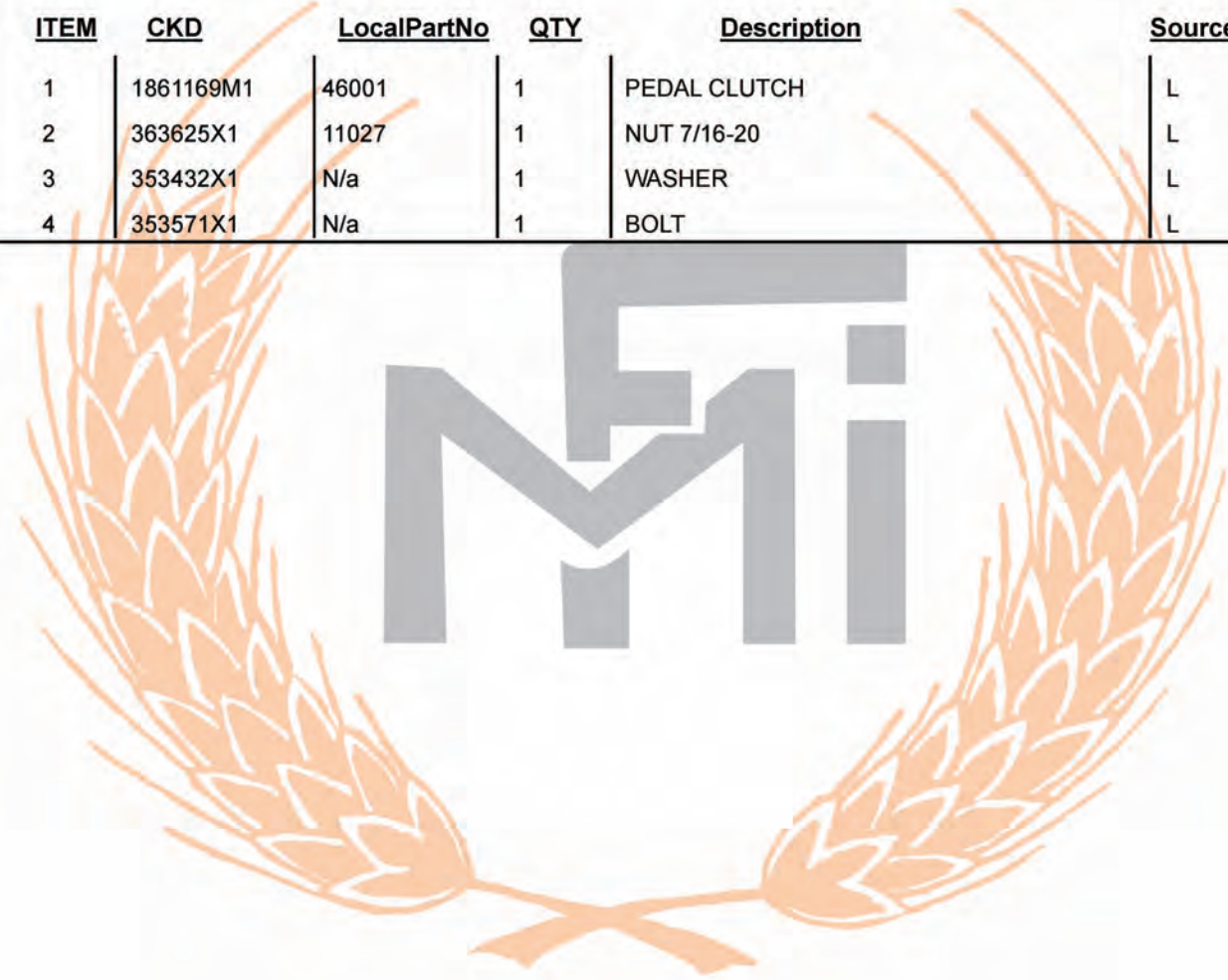
CLUTCH PEDAL & LINKAGE**MF240**

CLUTCH PEDAL & LINKAGE

37



<u>ITEM</u>	<u>CKD</u>	<u>LocalPartNo</u>	<u>QTY</u>	<u>Description</u>	<u>Source</u>
1	1861169M1	46001	1	PEDAL CLUTCH	L
2	363625X1	11027	1	NUT 7/16-20	L
3	353432X1	N/a	1	WASHER	L
4	353571X1	N/a	1	BOLT	L

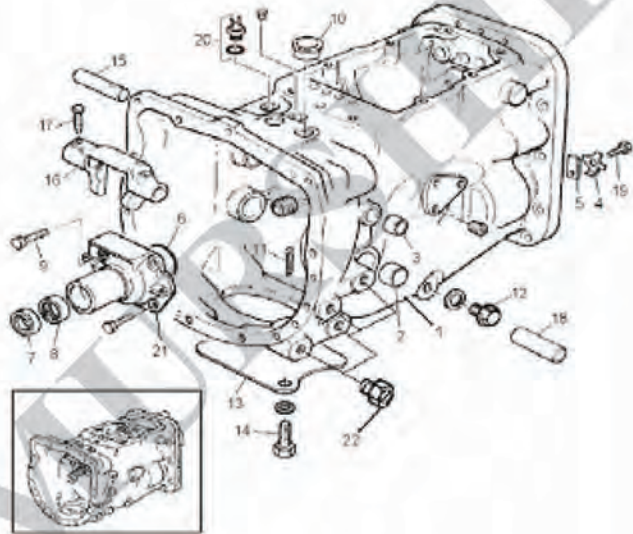


8 SPEED CONSTANT MESH TRANSMISSION

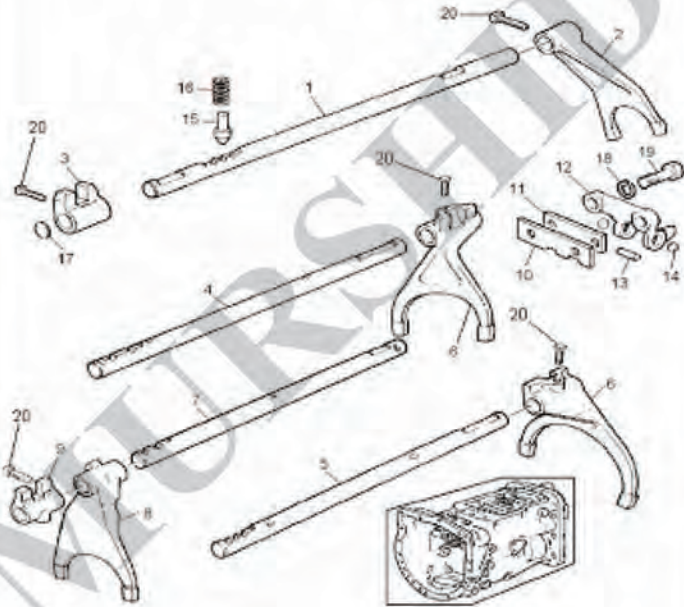
MF240

8 SPEED CONSTANT MESH TRANSMISSION

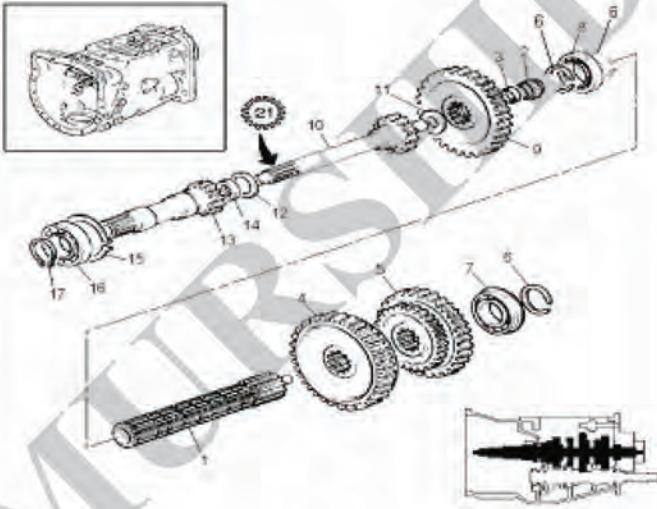
38



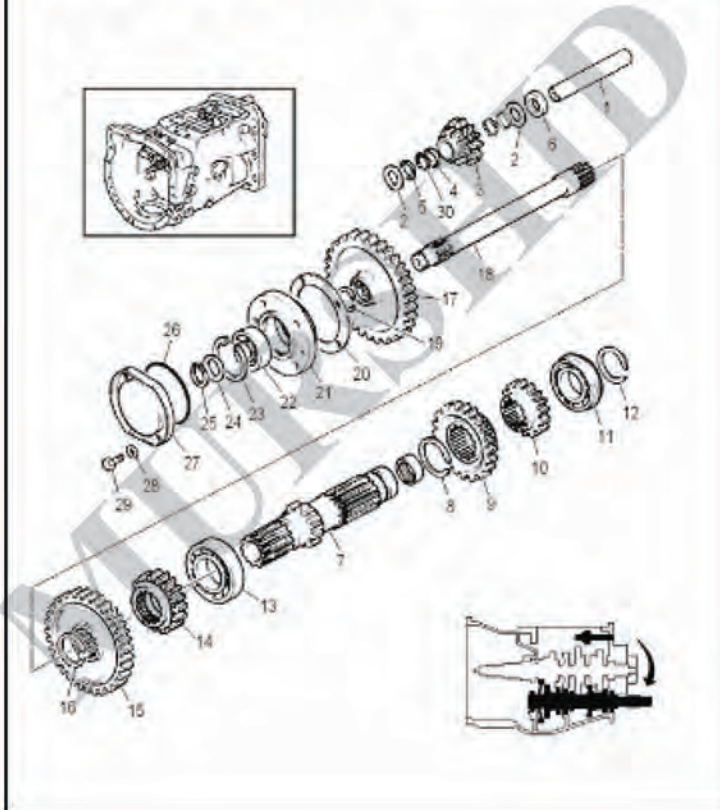
<u>ITEM</u>	<u>CKD</u>	<u>LocalPartNo</u>	<u>QTY</u>	<u>Description</u>	<u>Source</u>
1	3599015M2	12001	1	CASE TRANSMISSION	L
2	180801M1	12147	2	BUSH BRAKE SHAFT	L
3	184592M1	12150	2	BUSH CLUTCH SHAFT	L
4	828020M1	12171	1	TAB WASHER I/D 10.32 THICK. 1.2	L
5	184789M1	12014	1	STOP REV. SHAFT	L
6	886089M1	12165	1	O RING	L
7	1860867M5	12126	1	OIL SEAL	L
8	886668M1	12158	1	BEARING NEEDLE	L
9	377477X1	12061	3	SCREW 3/18-16 X 7/8	L
10	894683M1	12125	2	PLUG EXPANDING	L
11	354076X1	12148	2	PIN COTTER	L
12	33141124	18152	1	PLUG	L
13	964167M1	12115	1	COVER PLATE BOTTOM	L
14	354441X1	12116	2	BOLT 5/8 - 11 L. 1	L
15	180449M1	12117	1	SHAFT-CLUTCH RELEASE	L
16	886719M1	12118	1	FORK CLUTCH RELEASE	L
17	3771408M1	12139	2	SCREW SPECIAL 3/8 - 24 UNF - 3A	L
18	180444M2	12122	1	SHAFT-CLUTCH PEDAL	L
19	353690X1	12012	1	SCREW 3/8 - 16X7/8	L
20	3761983M91	12131	1	ASSY SWITCH	L
21	1693837M2	12063	1	RETAINER MAIN DRIVE	L
22	N/a	29032	8	PLUG (PLASTIC)	L



<u>ITEM</u>	<u>CKD</u>	<u>LocalPartNo</u>	<u>QTY</u>	<u>Description</u>	<u>Source</u>
1	3697277M1	12076	1	RAIL PLANETARY	L
2	897065M2	12077	1	FORK PLANETARY	L
3	180446M1	12081	1	SELECTOR - PLANET SHIFT	L
4	1693812M1	12085	1	RAIL SHIFTER REV. / LOW	L
5	1693820M2	12092	1	RAIL SHIFT INT/HIGH	L
6	1860773M1	12087	2	FORK SHIFTER	L
7	1693820M1	12086	1	RAIL SHIAFTER 2ND/3RD	L
8	1693828M1	12093	1	FORK SHIFTER	L
9	1862868M2	12094	1	SELECTOR	L
10	1860764M3	12098	1	PLATE STOP	L
11	1860765M2	12052	1	PIECE PACKING	L
12	1860761M1	12100	1	RETAINER BALL	L
13	1860767M1	12101	1	PIN	L
14	391838X1	12167	2	STEEL BALL	I
15	180418M2	12109	4	PLUNGER	L
16	191221M1	12173	4	SPRING SHIFTER RAIL	L
17	3614857M1	12127	1	PLUG	L
18	353434X1	10075	2	WASHER LOCK 3/8"	L
19	354262X1	12103	2	BOLT 3/8-16 X 1-1/2	L
20	3771408M1	12139	6	SCREW SPECIAL 3/8 - 24 UNF - 3A	L



<u>ITEM</u>	<u>CKD</u>	<u>LocalPartNo</u>	<u>QTY</u>	<u>Description</u>	<u>Source</u>
1	1687643M1	12144	1	MAIN SHAFT NON SYNC ND 95	L
2	2700273M1	12156	1	ROLLER NEEDLE	I
3	2700274M2	12133	1	SPACER	L
4	1682688M1	12029	1	GEAR MAIN SHAFT LOW	L
5	1682691M1	12030	1	GEAR MAIN INT./HIGH	L
6	195363M1	12161	4	SNAP RING	L
7	32346	18073	1	BEARING	I
8	338552X1	12157	1	ROLLER BEARING	I
9	1682690M1	12036	1	GEAR DRIVEN 3RD	L
10	964926M3	128002	1	PINION MAIN DRIVE SHAFT	L
11	964944M1	12135	1	DISTANCE PIECE	L
12	964929M1	12138	1	THRUST WSHR ID40.12/40.02 OD52.50	L
13	1671705M1	12042	1	PINION	L
14	1860011M1	14095	1	OIL SEAL	L
15	377631X1	12146	1	RETAINING RING	L
16	GK2151	12159	1	BEARING	I
17	762101M1	12163	1	SNAP RING	L

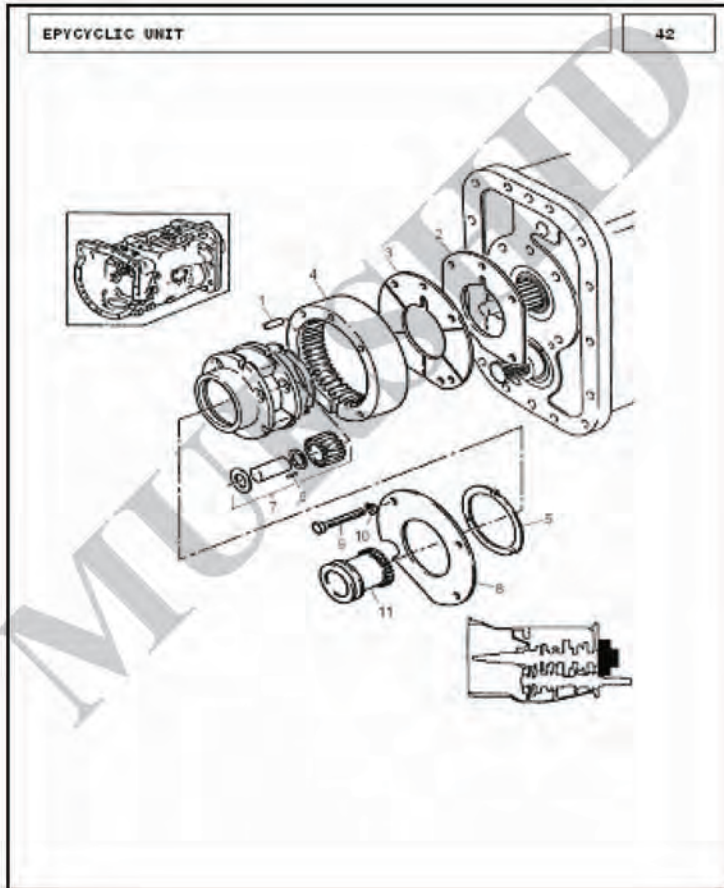


ITEM	CKD	LocalPartNo	QTY	Description	Source
1	180445M1	12004	1	SHAFT - REVERSE CUSTER	L
2	180458M1	12140	2	WASHER I/D25.42 OD41.148 T1.52/1.60	L
3	183040M1	12006	1	GEAR REVERSE CLUSTER	L
4	183038M1	12134	1	SPACER	L
5	183037M1	12141	2	WASHR GEAR RETAIN ID25.91 OD30.48	L
6	189449M1	12011	1	SPACER	L
7	906472M2	12015	1	COUNTER SHAFT	L
8	195500M1	12160	1	CIRCLIP	L
9	180415M1	12018	1	PINION COUNTER SHAFT HIGH	L
10	180419M1	12019	1	PINION- INTERMEDIATE	L
11	3008252X1	12154	2	BALL BEARING	I
12	195363M1	12161	1	SNAP RING	L
13	195507M1	12153	1	BALL BEARING	I
14	964916M1	12024	1	PINION C/SHAFT 3RD	L
15	906468M1	128001	1	GEAR C/MESH CAM-SHAFT(15 Teeth)	L
16	195499M1	12168	1	SNAP RING	L
17	1671706M4	12038	1	GEAR PTO C/MESH 53 T	L
18	1868533M1	12047	1	SHAFT FRONT PTO DRIVE	L
19	358913X1	12145	1	SNAP RING	L
20	180432M1	12129	1	GASKET PTO BEARING. HOUSING	L
21	899331M1	12050	1	HOUSING FRONT PTO BRG	L
22	899377M2	12155	1	BEARING	I
23	355988X1	12162	1	SNAP RING INLET	L
24	881122M2	12169	1	RETAINING RING	L
25	899385M1	12164	1	SNAP RING	L
26	1004633M1	12152	2	O RING	L
27	883620M1	12056	1	CAP FRONT PTO BRG HOUSING	L
28	353771X1	12058	4	WASHER-HARDENED 3/8	L
29	377479X1	12057	4	BOLT 3/8-16 X 1.1/4	L

30	183039M1	12166	56	ROLLER NEEDLE	I
----	----------	-------	----	---------------	---

EPYCYCLIC UNIT

MF240

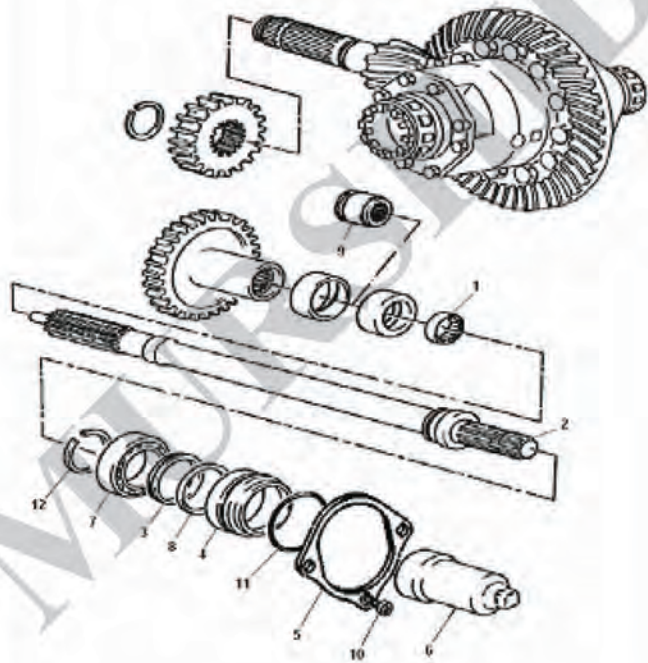


<u>ITEM</u>	<u>CKD</u>	<u>LocalPartNo</u>	<u>QTY</u>	<u>Description</u>	<u>Source</u>
1	180409M1	12065	2	DOWEL	L
2	184011M1	12170	1	SHIM	L
3	180408M2	12067	1	PLATE-FRONT COVER	L
4	1671558M1	12149	1	GEAR PLAN RING	L
5	897367M1	12151	2	WASHR PLANETARY GEAR	L
6	897025M1	12123	162	NEEDLE ROLLER (POA 12070)	I
7	897711M93	12070	1	ASSY EPI-CARRIER WITH ROLLER	B
8	184012M4	12072	1	PLATE-REAR COVER	L
9	354271X1	12073	4	BOLT 3/8-16 X 2-3/4	L
10	353434X1	10075	3	WASHER LOCK 3/8"	L
11	184770M3	12075	1	COUPLER-PLAN SHIFT	L

8 PTO DRIVE MECHANISM**MF240**

8 PTO DRIVE MECHANISM

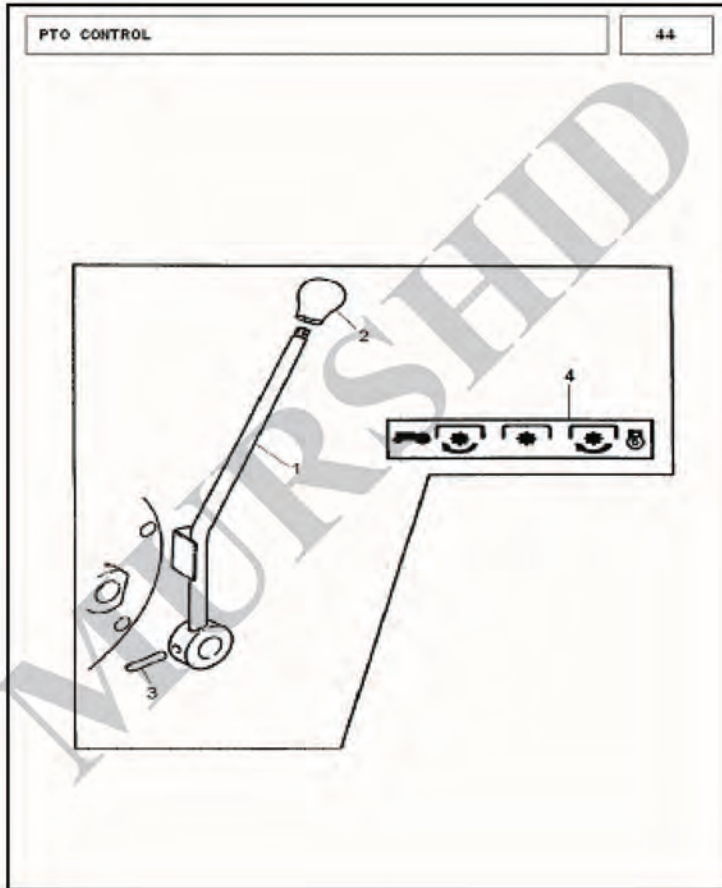
43



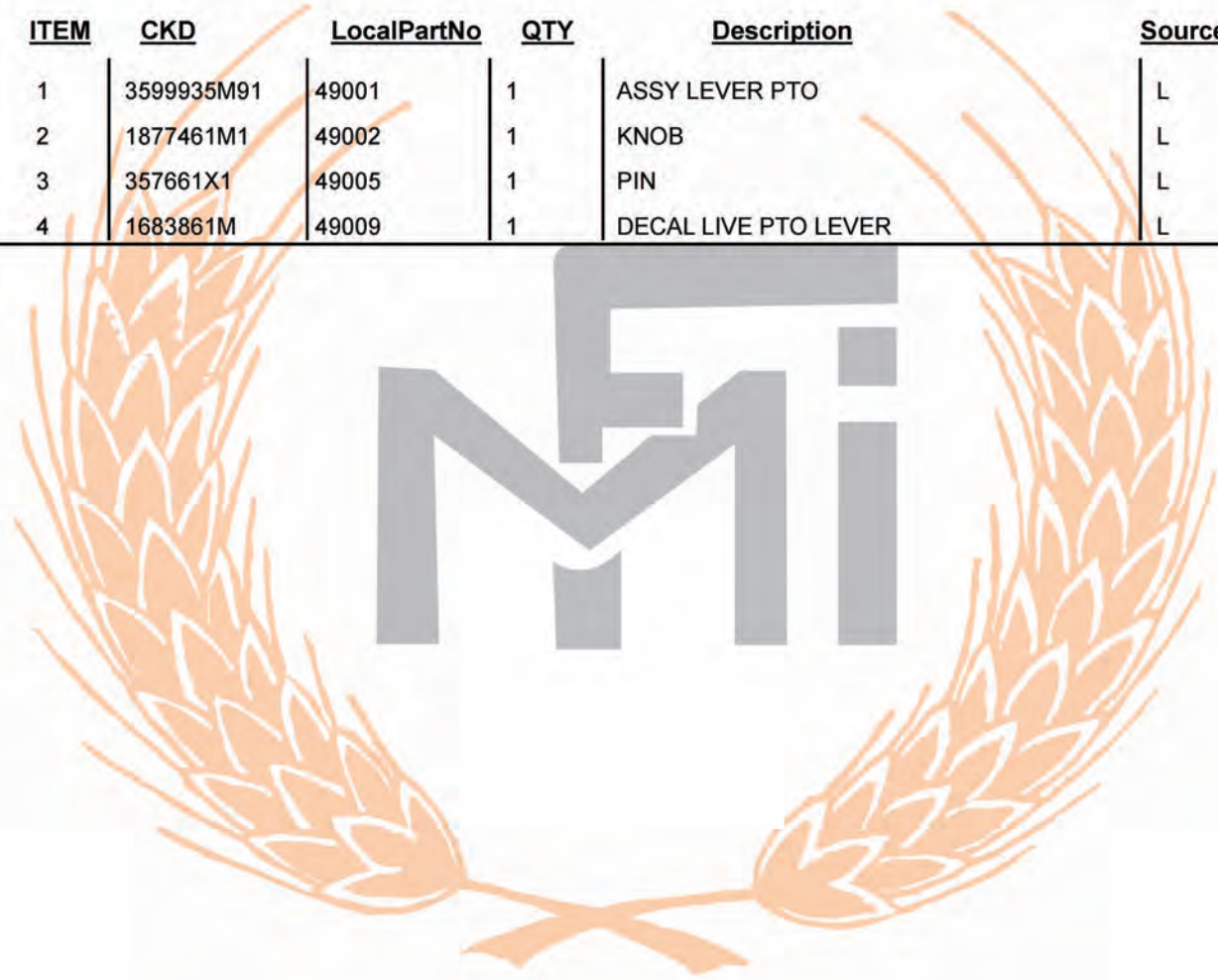
<u>ITEM</u>	<u>CKD</u>	<u>LocalPartNo</u>	<u>QTY</u>	<u>Description</u>	<u>Source</u>
1	195453M1	10277	2	BEARING NEEDLE	I
2	3599002M3	10013	1	ASSY. PTO SHAFT	L
3	2418M006	18072	1	SEAL	I
4	3599002M3	10017	1	RETAINER PTO	L
5	532912M1	10020	1	RETAINER PTO BRG	L
6	532888M2	10292	1	CAP PTO (PLASTIC)	L
7	391162X1	92005	1	BALL BEARING	I
8	3699801M1	10122	1	SEAL PTO	I
9	3599630M1	10119	1	COUPLER	L
10	362471X1	25001	9	BOLT 7/16-14 UNC L. 22.3	L
11	1004633M1	12152	2	O RING	L
12	831581M2	92004	1	RING SNAP	L

PTO CONTROL

MF240



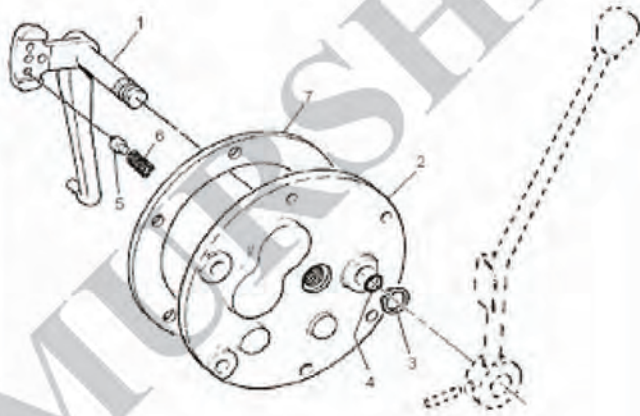
<u>ITEM</u>	<u>CKD</u>	<u>LocalPartNo</u>	<u>QTY</u>	<u>Description</u>	<u>Source</u>
1	3599935M91	49001	1	ASSY LEVER PTO	L
2	1877461M1	49002	1	KNOB	L
3	357661X1	49005	1	PIN	L
4	1683861M	49009	1	DECAL LIVE PTO LEVER	L



PTO COVER ASSEMBLY**MF240**

PTO COVER ASSEMBLY

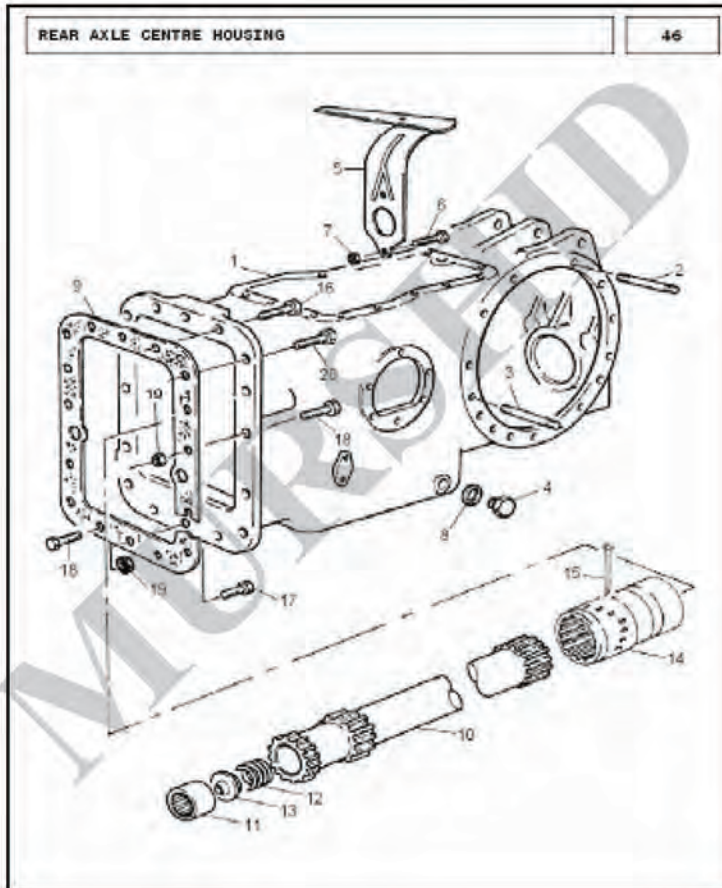
45



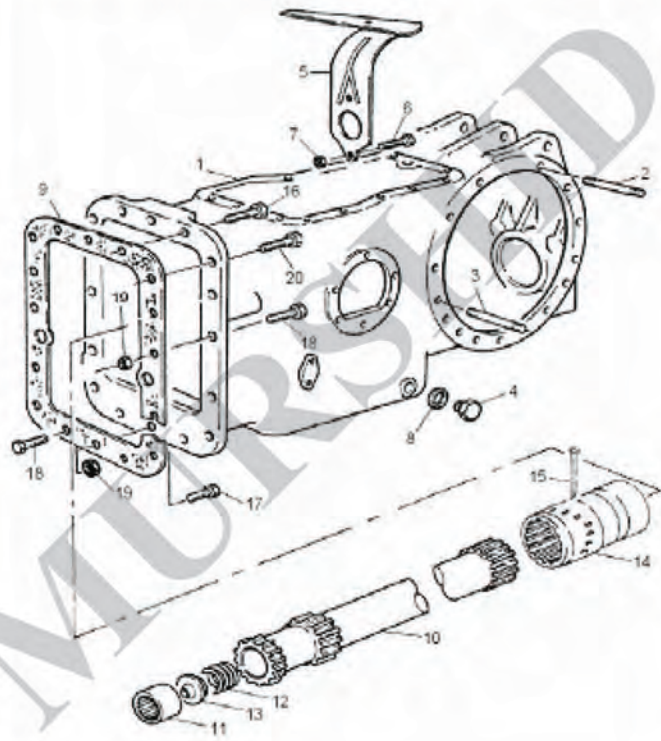
<u>ITEM</u>	<u>CKD</u>	<u>LocalPartNo</u>	<u>QTY</u>	<u>Description</u>	<u>Source</u>
1	1870594M94	27003	1	ASSY-LEVER INTERNAL	L
2	3760665M1	27004	1	COVER PTO SHIFT	L
3	353213X1	27093	1	CIRCLIP EXTERNAL	L
4	195562M1	26116	1	O RING	L
5	180418M2	12109	1	PLUNGER	L
6	191221M1	12173	1	SPRING SHIFTER RAIL	L
7	1688222M3	26075	2	GASKET-SIDE COVER	L

REAR AXLE CENTRE HOUSING

MF240



<u>ITEM</u>	<u>CKD</u>	<u>LocalPartNo</u>	<u>QTY</u>	<u>Description</u>	<u>Source</u>
1	1686507M2	10001	1	CENTRE HOUSING	L
2	1860900M2	10002	4	STUD 1/2-13 UNC1/2-20 UNF-3A L66.7	L
3	377618X1	10003	2	STUD 1/2 X 49.2	L
4	884691M1	10269	2	PLUG DRAIN THREAD	L
5	191138M91	10007	1	ASSY-TROUGH DIFF BRG	L
6	361418X1	10008	2	BOLT 1/4-28 L. 38.1	L
7	376446X1	10009	2	LOCK NUT 1/4	L
8	180474M2	105017	2	WASHER ALUMINIUM	L
9	3599804M2	50020	1	GASKET	L
10	886548M1	50004	1	SHAFT REAR DRIVE	L
11	195513M1	50024	1	BEARING ROLLER	L
12	886352M1	50026	1	SPRING	L
13	886353M1	50007	1	ABUTMENT	L
14	1871924M1	50008	1	COUPLER REAR DRIVE	L
15	354415X1	50023	1	PIN COTTER	L
15	3701695M1	50023	1	PIN COTTER	L
16	377825X1	50012	3	BOLT 7/16 - 14 UNC -2A L. 57 MM	L
17	377557X1	12062	1	BOLT 3/8 -16 X 1.7/8	L
18	377181X1	50010	10	BOLT 7/16-20 X 1.3/3	L
19	377185X1	50011	10	NUT 7/16 - 20 UNF - 2B	L
20	377824X1	50013	5	BOLT 7/16 - 14 UNC - 2A L.35MM	L

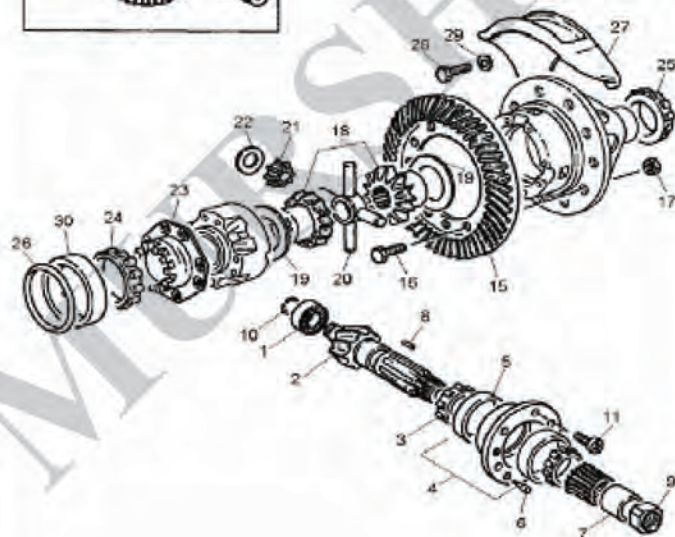
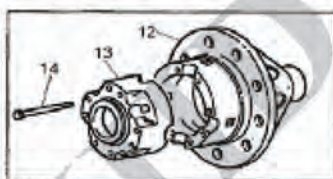
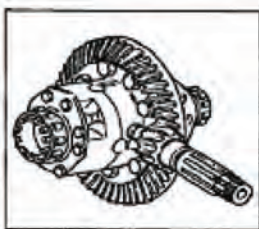


REAR AXLE DIFFERENTIAL

MF240

REAR AXLE DIFFERENTIAL

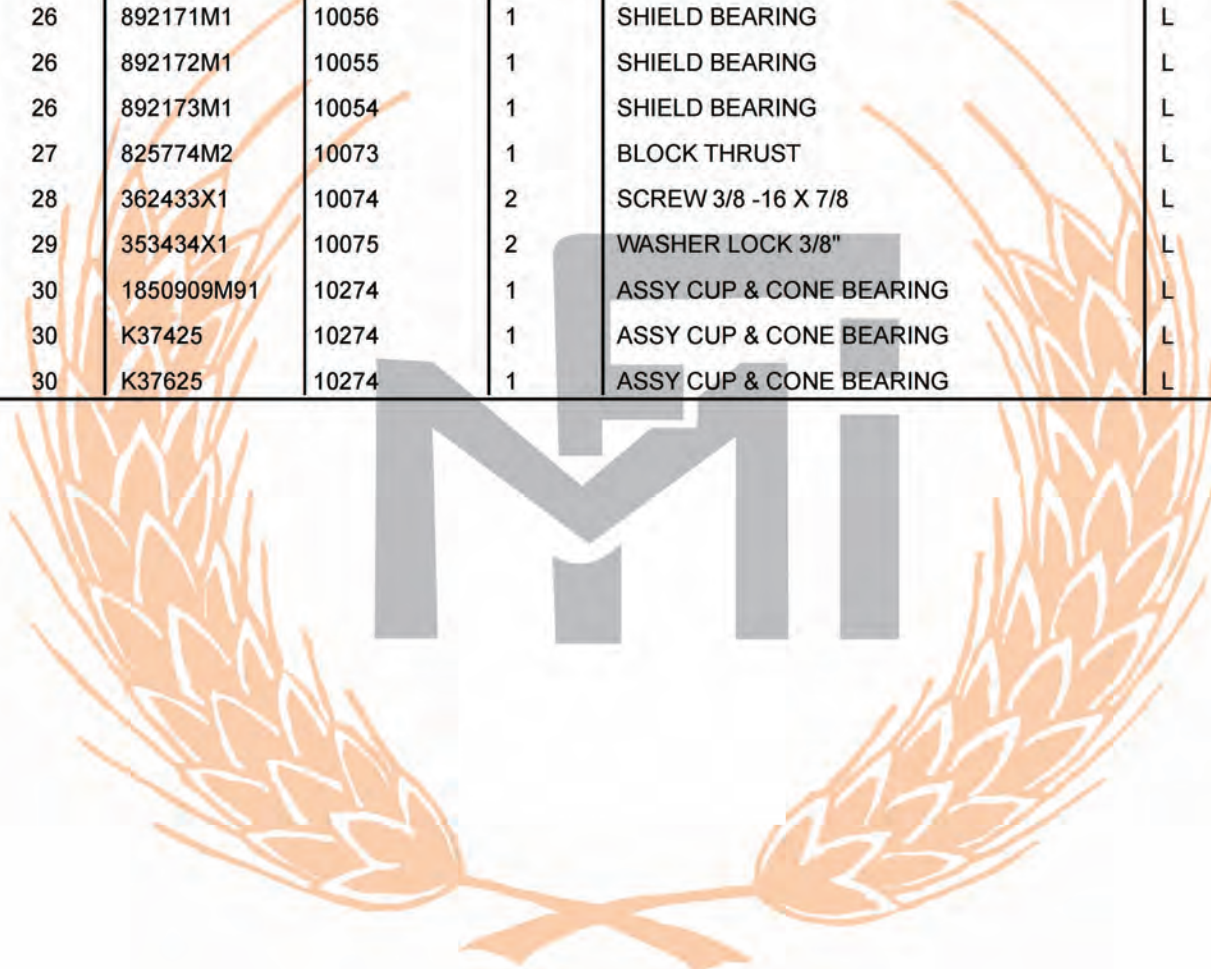
47



ITEM	CKD	LocalPartNo	QTY	Description	Source
1	191250M1	10278	1	BEARING PILOT PINION	L
2	3822045M1	108017	1	DRIVING PINION	L
3	185777M1	10275	2	BEARING CONE & ROLLER	L
4	518861M91	10300	1	ASSY. SLEEVE	B
5	185778M1	10276	2	CUP BEARING	L
5	KHM903210	10276	2	CUP BEARING	L
6	181253M1	10027	1	PIN PINION BEARING LOCK	L
7	1661065M1	10030	1	SPACER PINION	L
8	3612442M1	10279	2	ROLLER NEEDLE	L
9	532956M1	10032	1	NUT PINION	L
10	196097M1	10273	1	RING SNAP PINION BEARING	L
11	899199M1	10033	6	BOLT P. SLEEVE 9/16-12UNC-2A L1-1/4	L
12	181273M1	10038	1	CASE LH (MACHINING)	L
13	191465M1	10039	1	CASE RH	L
14	882232M1	10040	8	SCREW 1/2 - 13 UNC - 3A	L
15	1662955M1	108018	1	CROWN WHEEL	L
16	825776M1	10265	12	BOLT 1/2 - 20 - 2A	L
16	K3920	10265	12	BOLT 1/2 - 20 - 2A	L
17	891947M1	10287	12	NUT	L
18	885518M1	10044	2	GEAR DIFF (GEAR SUN)	L
19	897726M1	10266	2	THRUST WASHER ID76.23/76.2 OD105.4	L
20	894302M2	10118	1	JOINT DIFF. CROSS (MACHINING)	L
21	2746322M1	10047	4	PINION DIFF. (PINION PLANETARY)	L
22	3387281M1	10267	4	WASHER DIFF. ID25.75 OD52.32/49.78	L
23	190963M1	10049	1	CAP DIFF. COUPLING	L
24	195675M1	10109	2	CONE & ROLLER BEARING	L
25	185775M1	10282	1	CONE & ROLLER BEARING	L
25	K3984	10282	1	CONE & ROLLER BEARING	L
26	191124M1	10058	1	SHIELD BEARING	L

MURSHID

26	521401M1	10060	1	SHIELD BEARING	L
26	892170M1	10057	1	SHIELD BEARING	L
26	892171M1	10056	1	SHIELD BEARING	L
26	892172M1	10055	1	SHIELD BEARING	L
26	892173M1	10054	1	SHIELD BEARING	L
27	825774M2	10073	1	BLOCK THRUST	L
28	362433X1	10074	2	SCREW 3/8 -16 X 7/8	L
29	353434X1	10075	2	WASHER LOCK 3/8"	L
30	1850909M91	10274	1	ASSY CUP & CONE BEARING	L
30	K37425	10274	1	ASSY CUP & CONE BEARING	L
30	K37625	10274	1	ASSY CUP & CONE BEARING	L

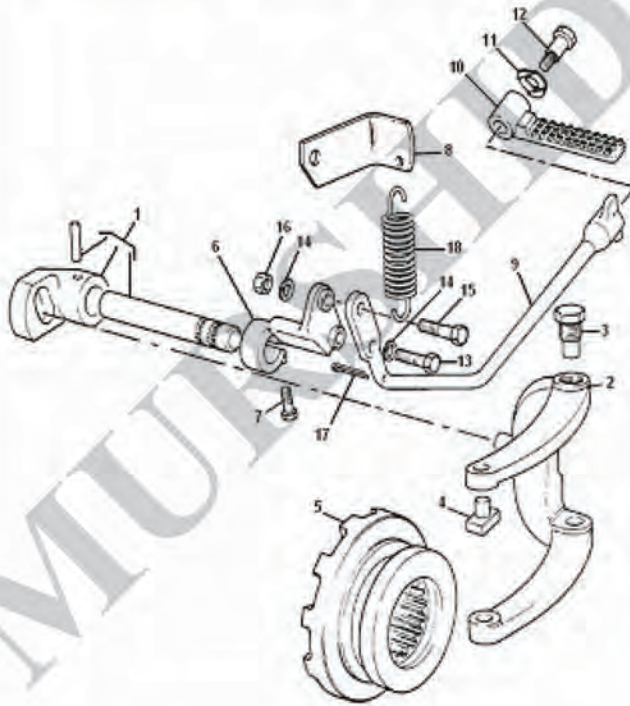


REAR AXLE DIFFERENTIAL LOCK MECHANISM

MF240

REAR AXLE DIFFERENTIAL LOCK MECHANISM

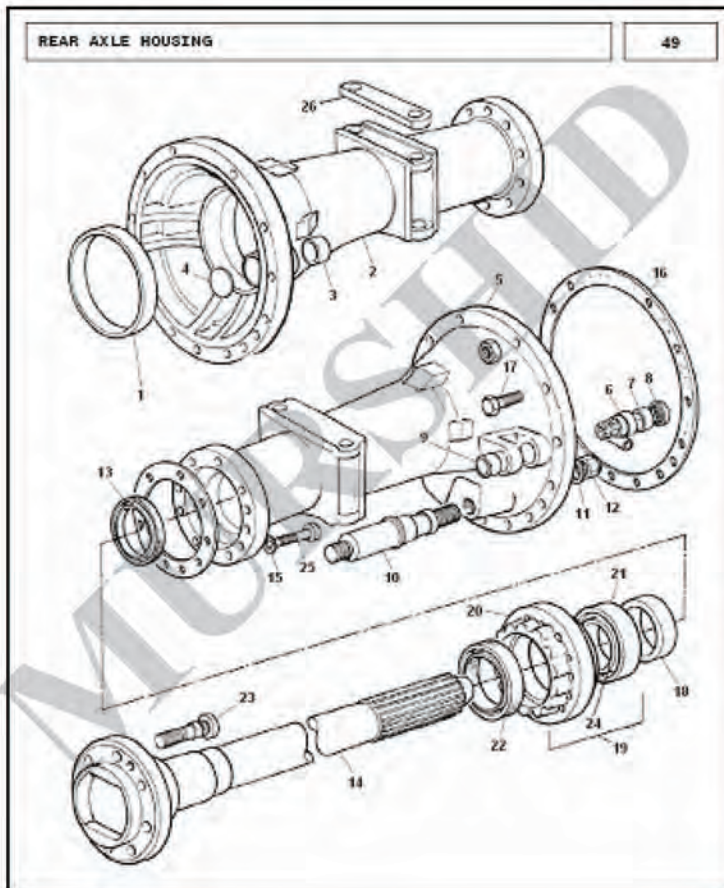
48



<u>ITEM</u>	<u>CKD</u>	<u>LocalPartNo</u>	<u>QTY</u>	<u>Description</u>	<u>Source</u>
1	190960M92	10061	1	ASSY-DIFF LOCK C/SHAFT	L
2	190968M1	10062	1	FORK-SHIFTER	L
3	190981M1	10288	2	PIN	L
4	190980M1	10064	2	SHOE-GUIDE	L
5	897036M1	10065	1	COUPLER DIFF LOCK	L
6	1872599M1	10066	1	LEVER DIFF LOCK	L
7	353540X1	10272	1	BOLT 3/8-24 L. 31.7	L
8	1872690M3	10068	1	BRACKET SPRING D/L-PEDAL	L
9	1872597M1	50015	1	PEDAL DIFF LOCK	L
10	192779M2	50016	1	PAD	L
11	1868032M1	50025	1	WASHER SPRING ID 15.48 OD 40.60	L
12	192778M1	50018	1	BOLT 7/16 - 20 UNF - 2A	L
13	353538X1	50019	1	SCREW 3/8 -24 X1	L
14	353434X1	10075	2	WASHER LOCK 3/8"	L
15	353541X1	50021	1	BOLT 3/8 - 24 L. 1.38	L
16	353431X1	30011	1	NUT 3/8 - 24	L
17	354076X1	12148	1	PIN COTTER	L
18	190978M1	50022	1	SPRING	L

REAR AXLE HOUSING

MF240

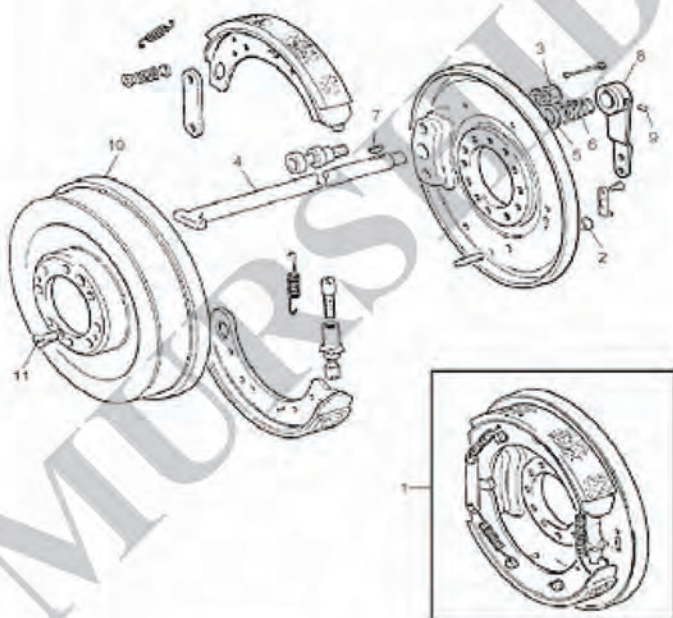


<u>ITEM</u>	<u>CKD</u>	<u>LocalPartNo</u>	<u>QTY</u>	<u>Description</u>	<u>Source</u>
1	185776M1	10281	1	BEARING CUP	I
2	884855M92	10070	1	HOUSING REAR AXLE LH	L
3	180802M1	10284	1	BUSH	L
4	13710X	10072	1	PLUG EXPANSION 1.1/4	L
5	190962M2	10076	1	HOUSING REAR AXLE RH	L
6	191056M1	10123	1	BRACKET	L
7	190976M1	10286	1	BUSH	L
8	832741M1	10121	1	OIL SEAL	L
9	190975M1	10285	1	BUSH	L
10	1867851M3	10082	2	SHAFT LOWER LINK	L
11	353774X1	10083	2	WASHER-HARDENED 5/8	L
12	376450X1	10084	2	LOCK NUT 5/8	L
13	195678M2	10120	2	OIL SEAL	L
14	897039M1	10086	2	SHAFT AXLE	L
15	183259M1	10088	4	SHIM (0.015)	L
15	183260M1	10089	4	SHIM (0.020)	L
15	183261M1	10090	4	SHIM (0.020)	L
16	183254M1	10093	2	GASKET-AXLE HOUSING	L
17	377623X1	10099	28	BOLT 1/2-13 UNC-2A	L
18	180596M1	10107	2	COLLAR	L
19	867689M1	10053	1	SHIELD BEARING	L
20	183255M2	10106	2	RETAINER	L
21	1668054M1	10059	1	SHIELD BEARING	L
22	195677M1	10110	2	OIL SEAL	L
23	185400M2	10108	16	BOLT REAR WHL DIS9/16-18-2A L54.60	L
24	300975M1	10280	2	BEARING CUP	I
25	361542X1	10091	24	BOLT 7/16-20 UNF L. 2	L
26	N/a	85024	2	PLATE AXLE HOUSING	L

DRUM BRAKES**MF240**

DRUM BRAKES

50



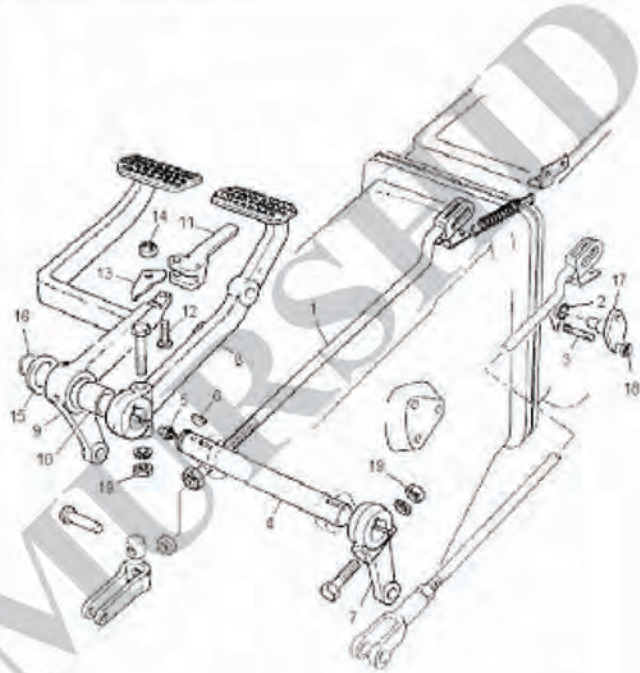
<u>ITEM</u>	<u>CKD</u>	<u>LocalPartNo</u>	<u>QTY</u>	<u>Description</u>	<u>Source</u>
1	827143M96	10095	2	ASSY-BRAKE	L
2	353431X1	30011	2	NUT 3/8 - 24	L
3	377626X1	10094	2	NUT 1/2-20 AXLE HOUSING	L
4	880033M2	10096	1	OPERATING SHAFT RH	L
4	897042M2	10097	1	OPERATING SHAFT LH	L
5	825040M2	10098	2	PLATE-COVER	L
6	825041M2	10290	2	SPRING	L
7	16346X1	10271	2	WOODRUF KEY	L
8	880034M2	10101	1	LEVER CAM SHAFT RH	L
8	897087M2	10102	1	LEVER CAM SHAFT LH	L
9	355434X1	10289	2	SCREW 1/4-20 L. 6.3	L
10	827707M5	10104	2	DRUM-BRAKE	L
11	182278M1	10260	4	SCREW-BRAKE DRUM	L

BRAKE PEDAL & LINKAGE

MF240

BRAKE PEDAL & LINKAGE

51

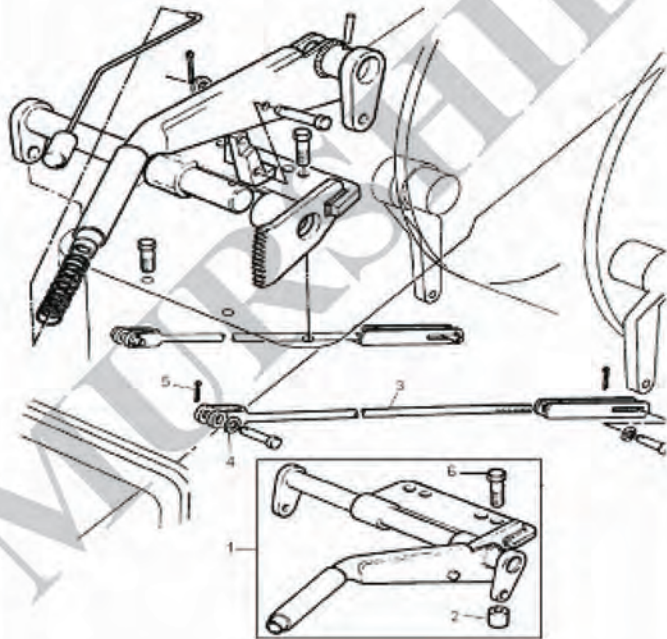


<u>ITEM</u>	<u>CKD</u>	<u>LocalPartNo</u>	<u>QTY</u>	<u>Description</u>	<u>Source</u>
1	1676736M93	11100	2	ASSY ROD & YOKE (LARGE)	L
2	851258M1	11077	2	O RING (762026M1)	L
3	195569M2	11043	4	STUD 5/16-24 UNF-3A	L
4	1860802M1	11021	1	SHAFT BRAKE CROSS	L
5	200191M1	11076	1	LUBRICATOR	L
6	12501X	11073	2	WOODRUF KEY	L
7	180864M1	11024	1	ARM-COMBINED BRAKE	L
8	1861172M1	11028	1	PEDAL LH	L
9	1861171P91	11065	1	ASSY PEDAL RH	L
10	195910M1	11075	1	BUSH	L
11	181960M1	11067	1	LOCK-COMBINED BRAKE	L
12	361203X1	11035	1	SCREW 5/16 - 24 UNF-2A L.1.572	L
13	181958M1	25058	1	SPRING	L
14	376447X1	11037	1	LOCK NUT 5/16 UNF	L
15	181964M1	11072	1	WASHER I/D35.5 O/D 47.62 THK 4.29	L
16	195904M1	11074	1	RING SNAP	L
17	898643M1	11040	2	PIN PUMP SUPPORT	L
18	363621X1	11042	4	NUT PUMP SUPPORT PIN 5/16 - 24	L
19	363625X1	11027	2	NUT 7/16-20	L

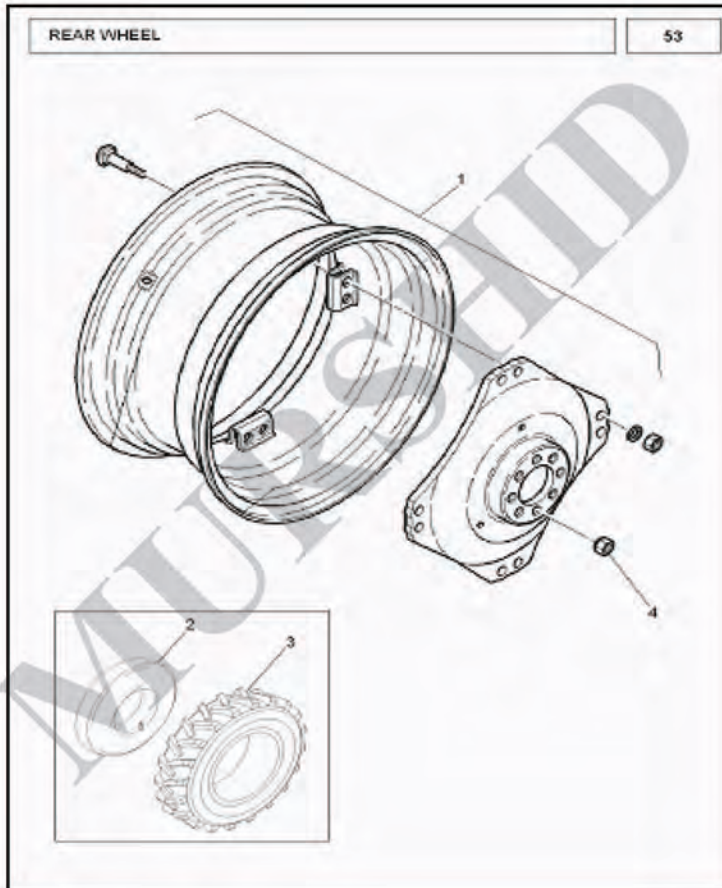
HAND BRAKE**MF240**

HAND BRAKE

52

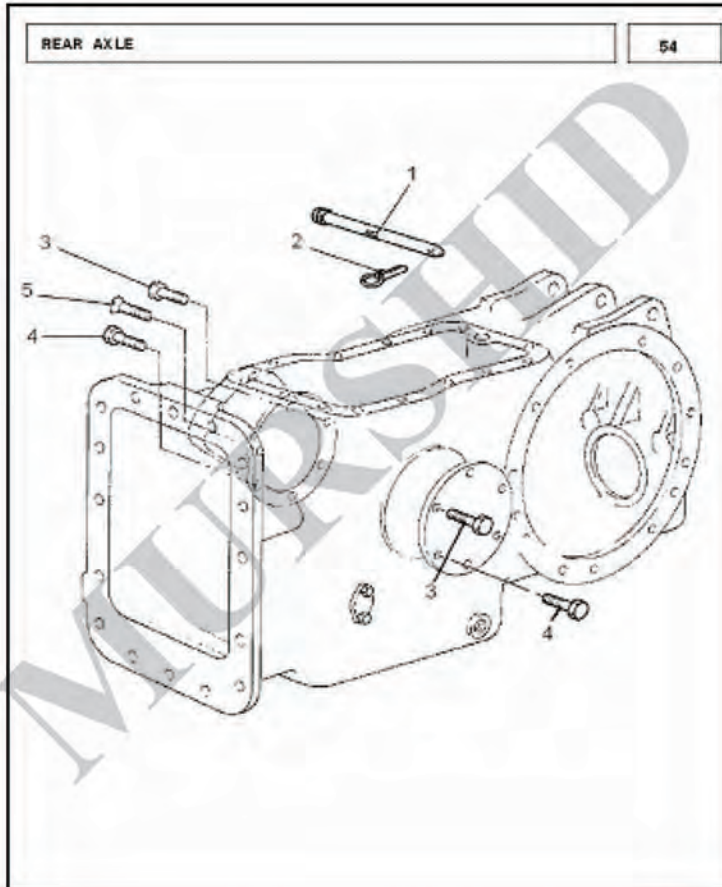


<u>ITEM</u>	<u>CKD</u>	<u>LocalPartNo</u>	<u>QTY</u>	<u>Description</u>	<u>Source</u>
1	898652M94	11001	1	ASSY HAND BRAKE	L
2	1694699M1	11002	2	SPACER	L
3	1694778M91	11200	2	ASSY ROD & YOKE (SMALL)	L
4	355619X1	11066	3	WASHER LARGE 3/8	L
5	354059X1	11005	1	PIN COTTER	L
6	1694297M1	26086	2	BOLT 7/16 - 14 UNC - 2A L. 89	L

REAR WHEELS**MF240**

<u>ITEM</u>	<u>CKD</u>	<u>LocalPartNo</u>	<u>QTY</u>	<u>Description</u>	<u>Source</u>
1	1688395M91	15003	2	RIM REAR 11X28	L
2	827385M1	15004	2	TUBE REAR 12.4/11-28	L
3	893148M1	15005	2	REAR TYRE 12.4/11-28 6 PR	L
4	180004M1	15007	16	NUT WHEEL 9/16 - 18 UNF - 2B	L



REAR AXLE**MF240**

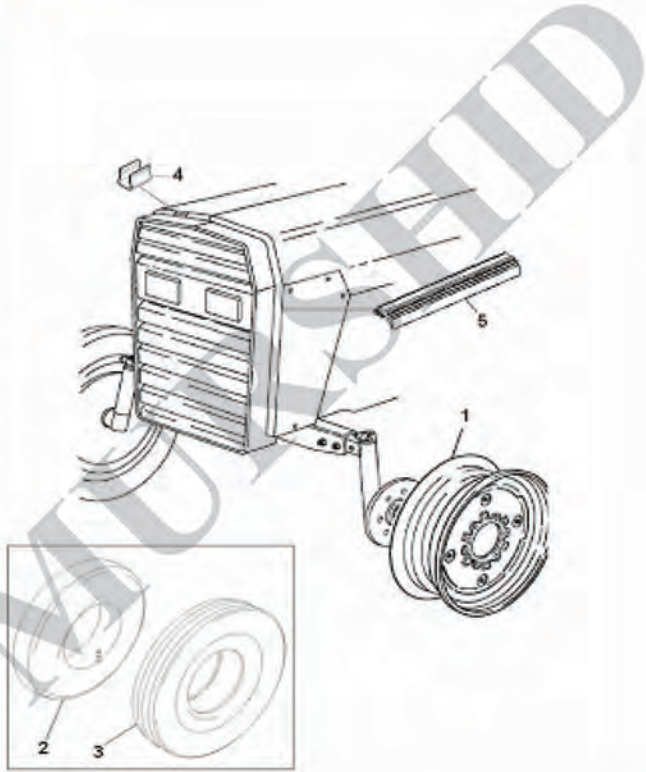
<u>ITEM</u>	<u>CKD</u>	<u>LocalPartNo</u>	<u>QTY</u>	<u>Description</u>	<u>Source</u>
1	180901M91	40001	1	PIN ASSY	L
2	810285M92	25028	1	PIN & RING ASSY	L
3	3771826M1	40041	4	PTCHD BOLT 7/16-14 UNC-2A L.1	L
4	3771827M1	40042	2	PTCHD BOLT7/16-14 UNC-2A L.1-1/4	L
5	3772195M1	40043	1	PTCHD. SCREW 7/16-14 UNC-2A L0.7872	L



FRONT WHEELS**MF240**

FRONT WHEELS

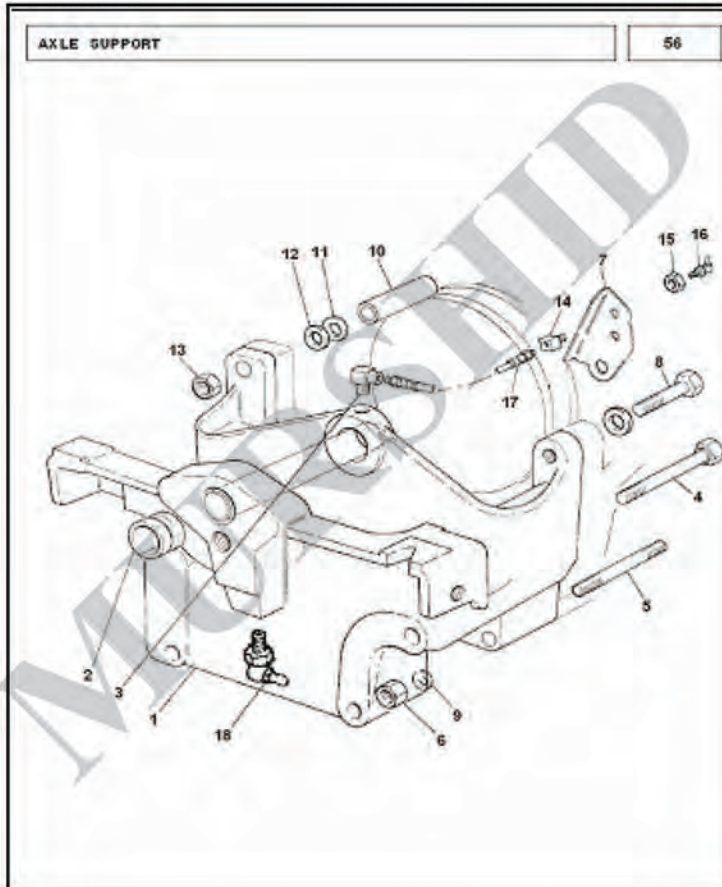
55



<u>ITEM</u>	<u>CKD</u>	<u>LocalPartNo</u>	<u>QTY</u>	<u>Description</u>	<u>Source</u>
1	885741M4	17001	2	WHEEL 4.5 x 16 (RIM FRONT)	L
2	893257M1	17002	2	TUBE FRONT 6.00x16	L
3	893255M1	17003	2	FRONT TYRE 6.00X16	L
4	N/a	23202	4	CLIP MOULDING WRAPPER	L
5	3697716M1	23201	1	MOULDING FRONT	L

AXLE SUPPORT

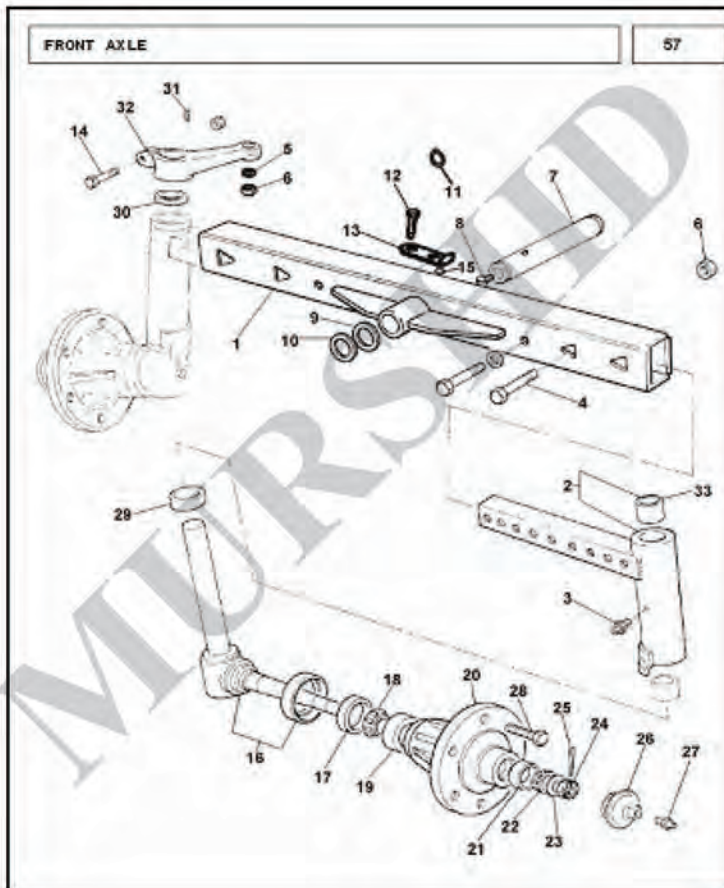
MF240



<u>ITEM</u>	<u>CKD</u>	<u>LocalPartNo</u>	<u>QTY</u>	<u>Description</u>	<u>Source</u>
1	2528935K93	14700	1	FRONT SUPPORT	L
2	1660114M2	14003	2	BUSH	L
3	377859X1	14070	1	ELBOW 90-DEG	L
4	3019864X1	14077	2	BOLT M16 L. 65	L
5	3019884X1	14083	2	STUD M16	L
6	3019871X1	14009	2	NUT M 16	L
7	1670940M2	14011	1	BRACKET REMOTE GREASING	L
8	3019865X1	14078	1	BOLT M16 L. 75	L
9	353433X1	14085	5	WASHER 5/8	L
10	847189M1	14014	1	SPACER	L
11	365690X1	14016	1	SHIM	L
11	365691X1	14104	1	SHIM	L
11	377126X1	14103	1	SHIM	L
12	377127X1	14091	1	SHIM	L
13	353427X1	14036	1	NUT 5/8-18	L
14	1809904M1	14071	1	UNION BULK HEAD	L
15	517254M1	14080	1	NUT LOCK 1/8 NPSM	L
16	850778M1	14107	1	GREASER (ALT 894467 M1)	L
17	1670913M91	14024	1	ASSY.HOSE REMOTE GREASING	L
18	355547X1	N/a	1	GREAS NIPPLE	L

FRONT AXLE

MF240

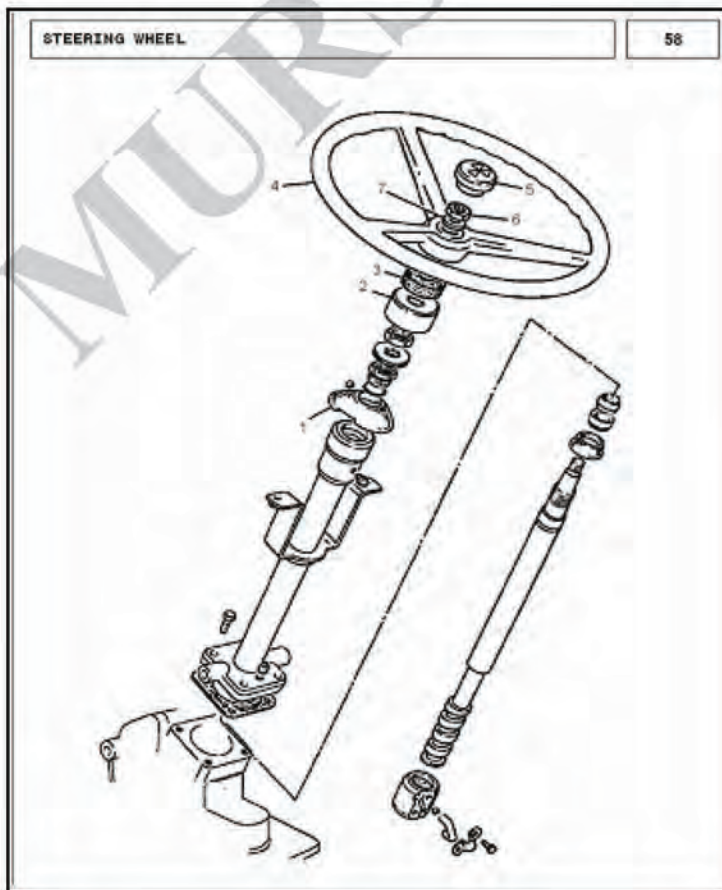


<u>ITEM</u>	<u>CKD</u>	<u>LocalPartNo</u>	<u>QTY</u>	<u>Description</u>	<u>Source</u>
1	1865911M95	14025	1	ASSY CENTRE BEAM	L
2	888300M92	14300	1	ASSY ARM FRONT AXLE LH	L
2	897236M94	145600	1	ASSY FRT AXLE SPDL&DUST SHIELD RH	L
3	MP1056	14101	2	LUBRICATOR	L
4	377170X1	14076	4	BOLT 5/8 - 18 UNF-2A L.79.4MM	L
5	353760X1	14035	4	WASHER FLAT5/8	L
6	353427X1	14036	4	NUT 5/8-18	L
7	1670939M1	14037	1	PIN PIVOT	L
8	376408X1	14079	3	SCREW 7/16 - 14 L. 0.75	L
9	1661600M1	14089	1	SHIM	L
9	1863312M1	14105	1	SHIM	L
9	1863313M1	14087	1	SHIM	L
9	1863314M1	14088	1	SHIM	L
10	1442689X1	14108	1	CIRCLIP	L
11	1440528X1	14100	1	CIRCLIP EXTERNAL	L
12	1867906M1	14081	1	SCREW 1/2 - 20 UNF - 2A	L
13	1865932M1	14068	1	TAB WASHER A/F 19.30/19.10 T.1.5	L
14	361551X1	14075	2	BOLT 7/16 - 20 L. 0.5	L
15	353754X1	14048	1	WASHER-FLAT 1/4	L
16	897236M94	14049	1	ASSY- SPINDLE & DUST SHIELD RH	L
16	897237M94	14050	1	ASSY- SPINDLE & DUST SHIELD LH	L
17	897242M1	14069	2	OIL SEAL	L
18	831078M1	14099	2	BEARING TAPER ROLLER	I
19	831077M1	14098	2	BEARING TAPER ROLLER	I
20	886336M1	14054	2	HUB	L
21	831054M1	14097	2	BEARING CUP OUTER	I
22	831055M1	14096	2	BEARING CONE & ROLLER	I
23	180010M1	14082	2	WASHR RETAIN ID 19.10/19.36 OD 40	L
24	353928X1	14058	2	NUT 7/16-14	L

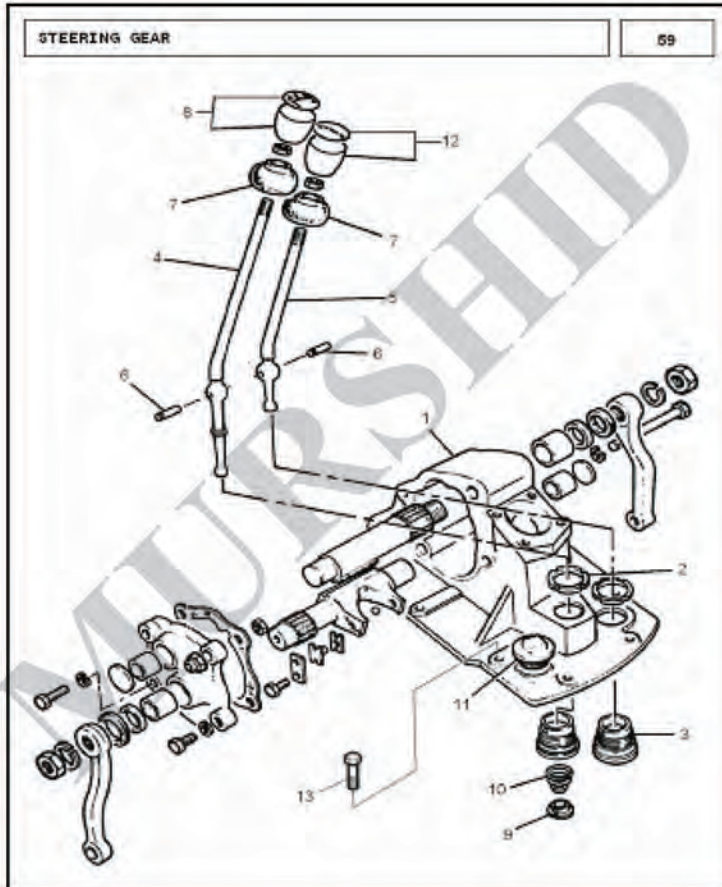
25	354068X1	14092	2	PIN COTTER	L
26	191142M1	14061	2	CAP-HUB	L
27	200191M1	11076	2	LUBRICATOR	L
28	906863M1	14072	12	BOLT 1/2-20 UNF P.D.11.842/11.732	L
29	195175M1	14094	2	BEARING	L
30	180355M2	14093	2	SEAL	L
31	350355X1	14090	2	KEY	L
32	180350M1	14067	2	ARM STEERING / ARM SPINDLE	L
33	180345M1	14026	2	BUSHING	L

STEERING WHEEL

MF240



<u>ITEM</u>	<u>CKD</u>	<u>LocalPartNo</u>	<u>QTY</u>	<u>Description</u>	<u>Source</u>
1	1863359M1	16027	1	STEERING GROMMET	L
2	1864867M1	16002	1	COVER STRG.COULMN	L
3	827210M1	16006	1	FELT WASHER	L
4	3774838M1	16035	1	STEERING - WHEEL (OLD NO. 16003)	L
5	3774841M91	16036	1	CAP & MOTIF (OLD NO. 16024)	L
6	966461M1	16037	1	NUT STEERING WHEEL	L
7	1441664X1	16029	1	FLAT WASHER M16	L

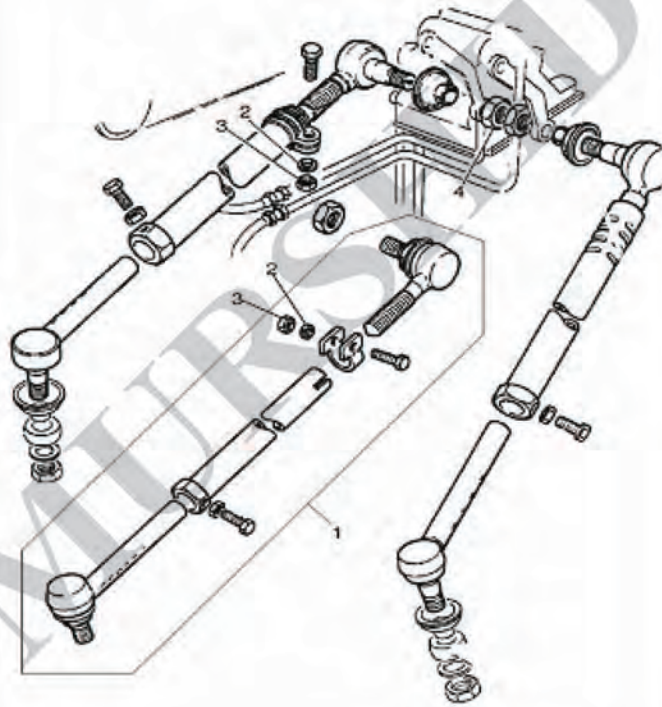
STEERING GEAR**MF240**

<u>ITEM</u>	<u>CKD</u>	<u>LocalPartNo</u>	<u>QTY</u>	<u>Description</u>	<u>Source</u>
1	1673663M91	16005	1	ASSY STEERING GEAR	L
2	827211M1	16012	1	LOCKING-RING	L
3	827690M1	16008	2	CUP	L
4	1688964M1	16009	1	GEAR SHIFT LEVER	L
5	1689028M1	16010	1	LEVER PLAN. SHIFT	L
6	180581M1	16011	2	PIN	L
7	180579M3	16013	2	COVER SHIFT LEVER	L
8	1862400M1	16040	1	KNOB GEAR PLANETARY SHIFT LEVER	L
9	1861024M1	16025	1	SEAT SPRING	L
10	192007M1	16038	1	SPRING GEAR SHIFTER	L
11	768300M1	16020	1	PLUG-FILLER	L
12	893015M2	16039	1	KNOB GEAR SHIFT LEVER	L
13	353699X1	47004	8	BOLT 7/16 - 14 L. 1.12	L

STEERING LINKAGE**MF240**

STEERING LINKAGE

60

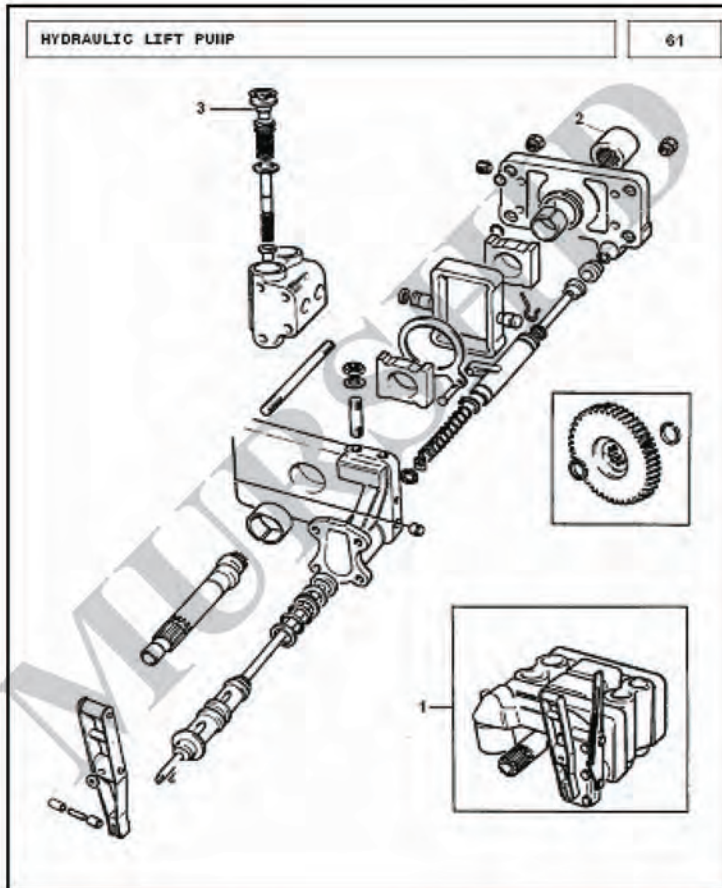


<u>ITEM</u>	<u>CKD</u>	<u>LocalPartNo</u>	<u>QTY</u>	<u>Description</u>	<u>Source</u>
1	1860411M92	16021	2	ASSY DRAG LINK	L
2	353446X1	19017	2	WASHER 5/16	L
3	353916X1	34017	2	NUT 5/16 - 24	L
4	353430X2	16028	2	NUT	L

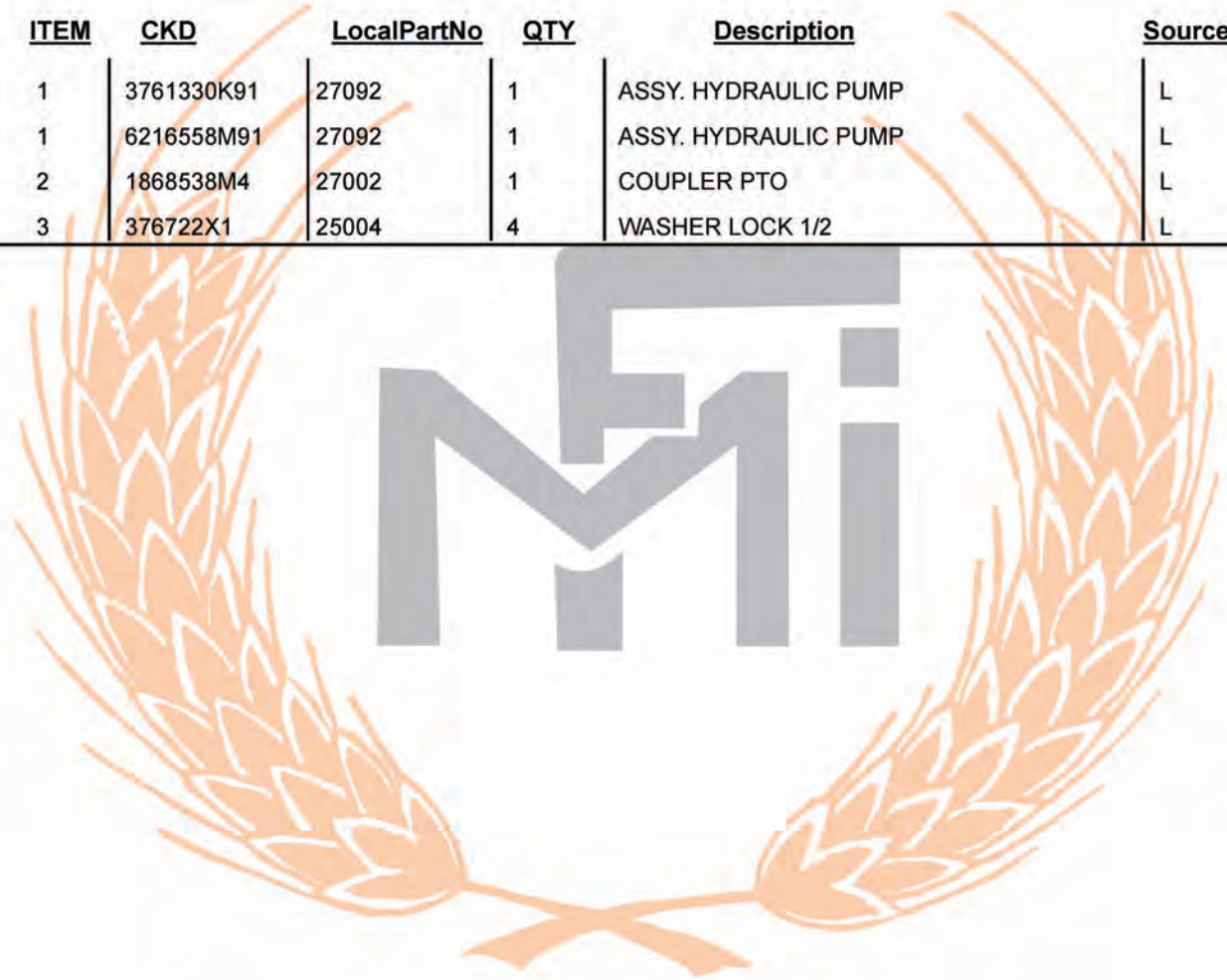
A large, stylized watermark logo consisting of a wreath of orange and white leaves. In the center of the wreath, the letters 'M' and 'i' are written in a bold, grey, sans-serif font. The 'M' is larger and positioned above the 'i'. The wreath is made of two branches of leaves that curve upwards and outwards, meeting at the bottom.

HYDRAULIC LIFT PUMP

MF240

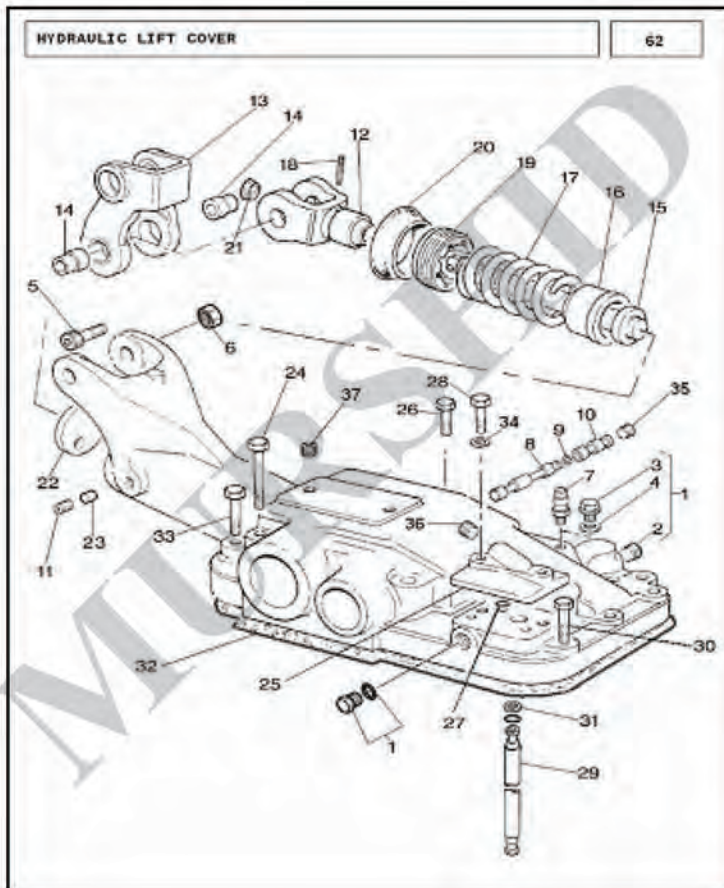


<u>ITEM</u>	<u>CKD</u>	<u>LocalPartNo</u>	<u>QTY</u>	<u>Description</u>	<u>Source</u>
1	3761330K91	27092	1	ASSY. HYDRAULIC PUMP	L
1	6216558M91	27092	1	ASSY. HYDRAULIC PUMP	L
2	1868538M4	27002	1	COUPLER PTO	L
3	376722X1	25004	4	WASHER LOCK 1/2	L



HYDRAULIC LIFT COVER

MF240



<u>ITEM</u>	<u>CKD</u>	<u>LocalPartNo</u>	<u>QTY</u>	<u>Description</u>	<u>Source</u>
1	3612130M91	26200	1	ASSY. HYD. LIFT COVER	L
2	825031M2	26002	2	PLUG 3/8 - 18 N.P.T.F.	L
3	826237M1	26003	1	PLUG 3/8 NPSM x 18 T.P.I.	L
4	826238M1	26004	1	BONDED SEAL	L
5	363593X1	26101	2	SCREW 1/2-20 UNF-3A L. 1-3/8	L
6	363650X1	26108	2	LOCK NUT 1/2-20	L
7	182099M91	26008	1	BREATHER ASSY	L
8	898305M1	26033	1	SHAFT PIVOT	L
9	898306M1	26034	1	SNAP RING	L
10	898307M1	26036	1	COLLAR	L
11	355286X1	26122	2	HEX. SKT. SETSCREW 5/16-18 UNC3A	L
12	180972M2	26053	1	CLEVIS	L
13	180973M2	26054	1	LINK-ROCKER	L
14	180974M1	26111	2	BUSHING	L
15	886348M2	26056	1	PLUNGER CONTROL SPRING	L
16	886351M1	26057	1	SEAT CONTROL SPRING	L
17	182582M1	26112	1	SPRING - 7500 L	L
18	195573M1	26123	1	PIN GORVED	L
19	180979M2	26060	1	NUT	L
20	887654M2	26061	1	BOOT RUBBER	L
21	180982M1	26062	1	PLUG-RUBBER	L
22	180981M1	26063	1	DISC COVERLOAD STOP	L
23	882451M1	26118	1	PLUG LOCKING	L
24	377145X1	26098	5	BOLT 7/16-14 UNC-2A L.104.8/103.2	L
25	180908M1	26066	1	CAP LIFT COVER	L
26	377143X1	26095	3	BOLT 7/16-14 UNC-2A L. 52.4/54.0	L
27	195561M1	26113	3	O RING	L
28	1694297M1	26086	2	BOLT 7/16 - 14 UNC - 2A L. 89	L
29	898229M1	26089	1	STAND PIPE	L

MURSHID

30	376805X1	26102	2	BOLT 7/16-14 UNC-2A L.46.0/47.6	L
31	195874M1	26126	2	WASHER BACKUP 3/8 THICK. 0.029	L
32	886549M2	26081	1	GASKET	L
33	377144X1	26097	2	BOLT 7/16-14 UNC-2A L.77.8/79.4	L
34	376721X1	10268	2	WASHER 7/16	L
35	882451M1	26118	1	PLUG LOCKING	L
36	355286X1	26122	2	HEX. SKT. SETSCREW 5/16-18 UNC3A	L
37	195567M1	26124	1	PLUG	L

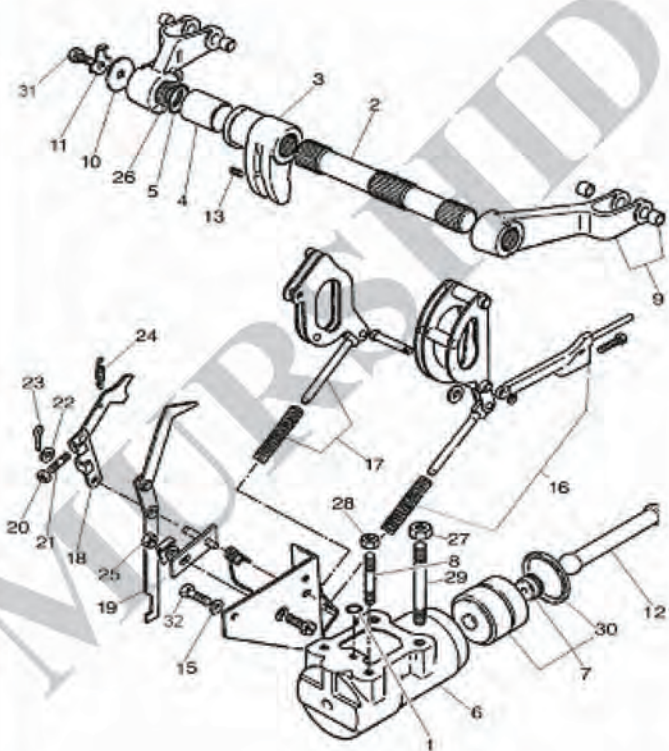


LIFT ARMS

MF240

LIFT ARMS

63

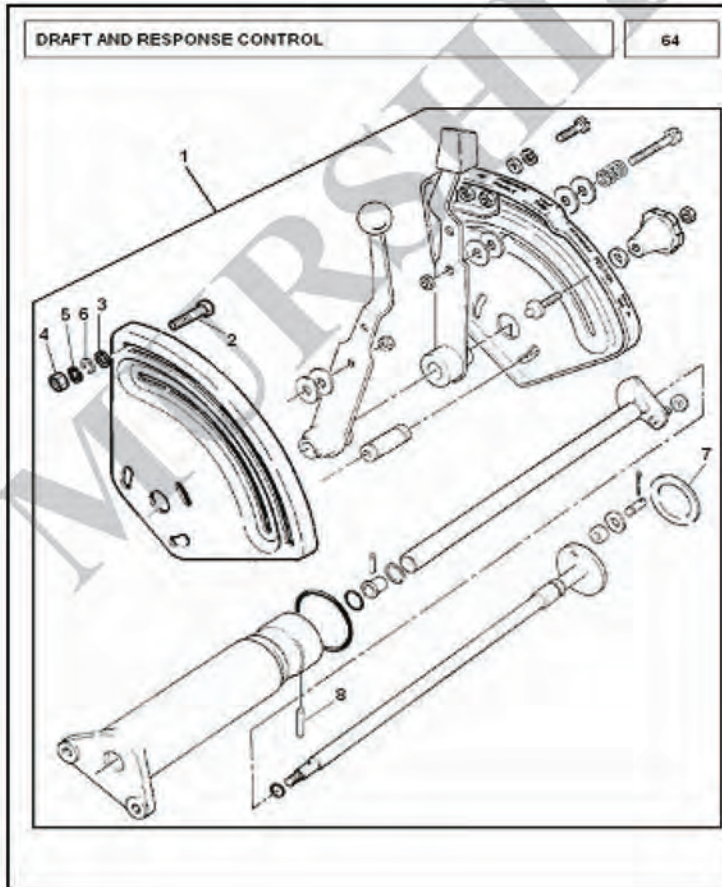


<u>ITEM</u>	<u>CKD</u>	<u>LocalPartNo</u>	<u>QTY</u>	<u>Description</u>	<u>Source</u>
1	195562M1	26116	1	O RING	L
2	897567M3	26011	1	SHAFT HYD. LIFT	L
3	3610357M1	26012	1	ARM LIFT RAM	L
4	3611558M1	26109	2	BEARING LIFT SHAFT	L
5	3000789X1	26117	2	O RING	L
6	3599900M1	26015	1	CYLINDER HYDRAULIC	L
7	2528785K92	26016	1	ASSY PISTON & CUP	L
8	1667580M1	26107	2	FRONT STUD 9/16 - 18 UNF - 3A	L
9	885444M91	26021	2	ASSY ARM HYD LIFT	L
10	897580M2	26024	2	WASHER - LIFT ARM	L
11	897581M3	26093	2	CLIP -LICKING	L
12	3610356M2	26028	1	ROD - CONNECTING	L
13	371925X1	26121	1	COILED SPRING PIN	L
14	1870190M92	26030	1	ASSY.- BRKT. LEVER SUPPORT	L
15	22764X	26120	2	WASHER 3/8	L
16	1660324M91	26039	1	ASSY. LINK	L
17	1661918M91	26042	1	ASSY. LINK	L
18	1661547M92	26043	1	ASSY.CAM POSITION	L
19	1869093M93	26044	1	ASSY. LEVER & CAM	L
20	354120X1	26099	1	NUT 10 - 24	L
21	898153M2	26104	1	SET SCREW 10 - 24 UNC - 3A L.22.2	L
22	355616X1	26106	1	WASHER NO. 10	L
23	354039X1	26110	1	PIN COTTER	L
24	898137M1	26125	1	SPRING	L
25	353916X1	34017	1	NUT 5/16 - 24	L
26	3611557M1	26091	2	RING SPACER	L
27	377641X1	26100	2	NUT 5/8 - 18 UNF - 2B	L
28	377765X1	26103	2	NUT 9/16 - 18 - 2B	L
29	1693939M2	26105	2	STUD 5/8 - 18 UNF - 3A	L

30	3761475M1	26114	1	O RING	L
30	3761478M1	26115	1	PTFE SLIP SEAL	L
31	361526X1	26096	2	BOLT 7/16-20 L. 1	L
32	362429X1	26031	2	SCREW 3/8 -16X5/8	L

DRAFT AND RESPONSE CONTROL

MF240

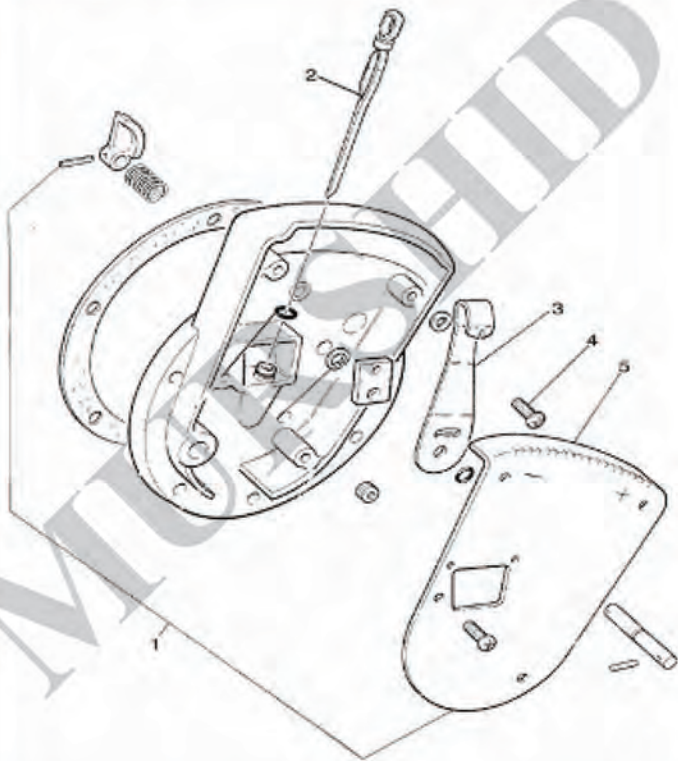


<u>ITEM</u>	<u>CKD</u>	<u>LocalPartNo</u>	<u>QTY</u>	<u>Description</u>	<u>Source</u>
1	3611464M91	26052	1	ASSY-QUARDRANT	L
2	339124X1	163070	1	SCREW M8X16MM	L
3	353754X1	14048	1	WASHER-FLAT 1/4	L
4	339169X1	163033	1	NUT M8	L
5	353441X1	13084	2	WASHER 1/4	L
6	353434X1	10075	2	WASHER LOCK 3/8"	L
7	1869075M1	26127	1	SPRING	L
8	1869074M1	26090	1	PIN	L

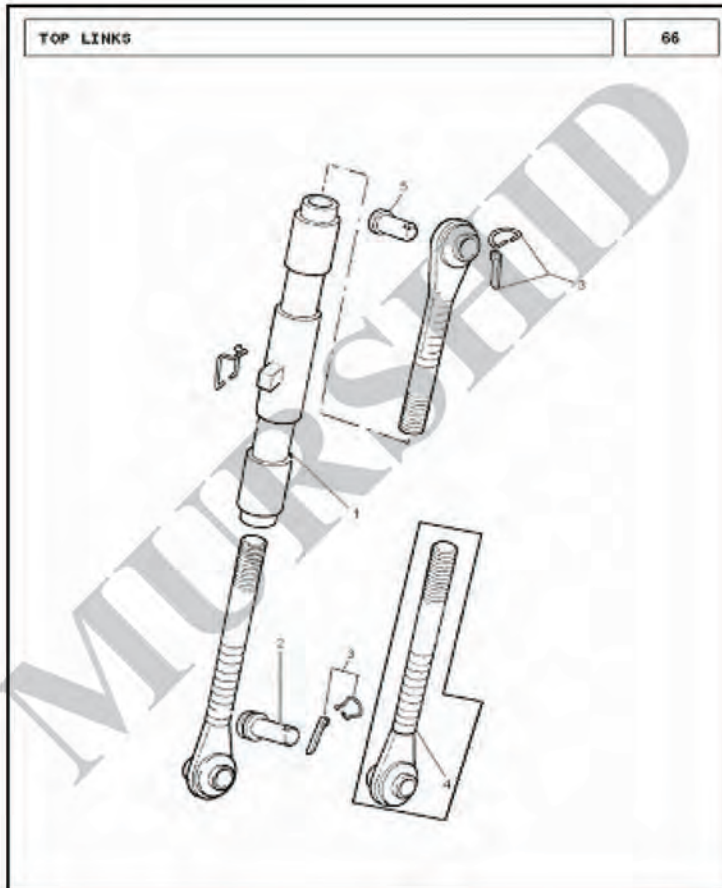
RESPONSE CONTROLS**MF240**

RESPONSE CONTROLS

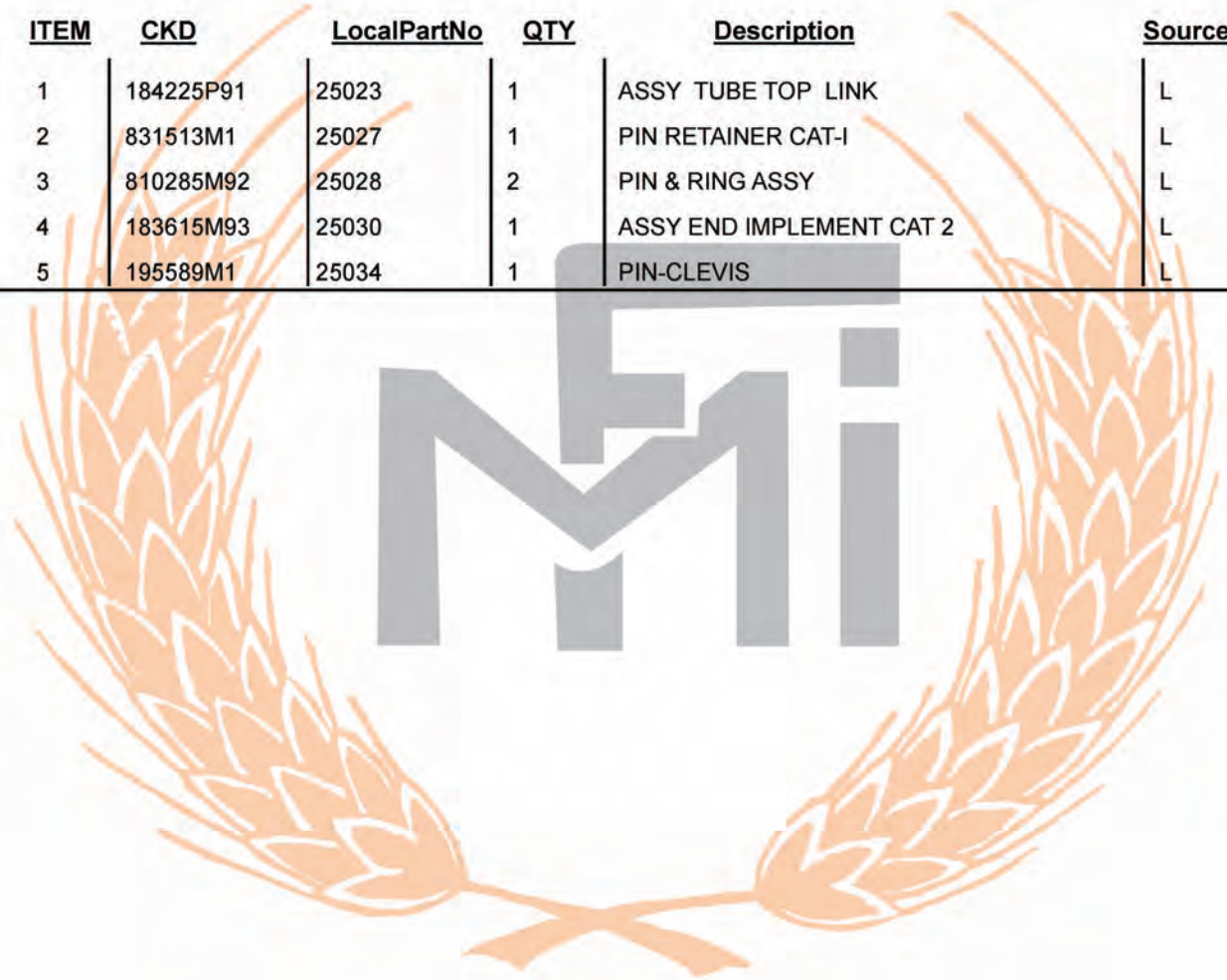
65



<u>ITEM</u>	<u>CKD</u>	<u>LocalPartNo</u>	<u>QTY</u>	<u>Description</u>	<u>Source</u>
1	3761410M91	26074	1	ASSY RESPONSE COVER	L
2	1665962M91	26087	1	ASSY INDICATOR OIL LEVEL	L
3	1662278M2	26076	1	LEVER-RESPONSE CONTROL	L
4	1869138M1	26119	1	SCREW 10-32 UNF - 2A	L
5	1668053M2	26079	1	PLATE DRAFT RESPONSE	L

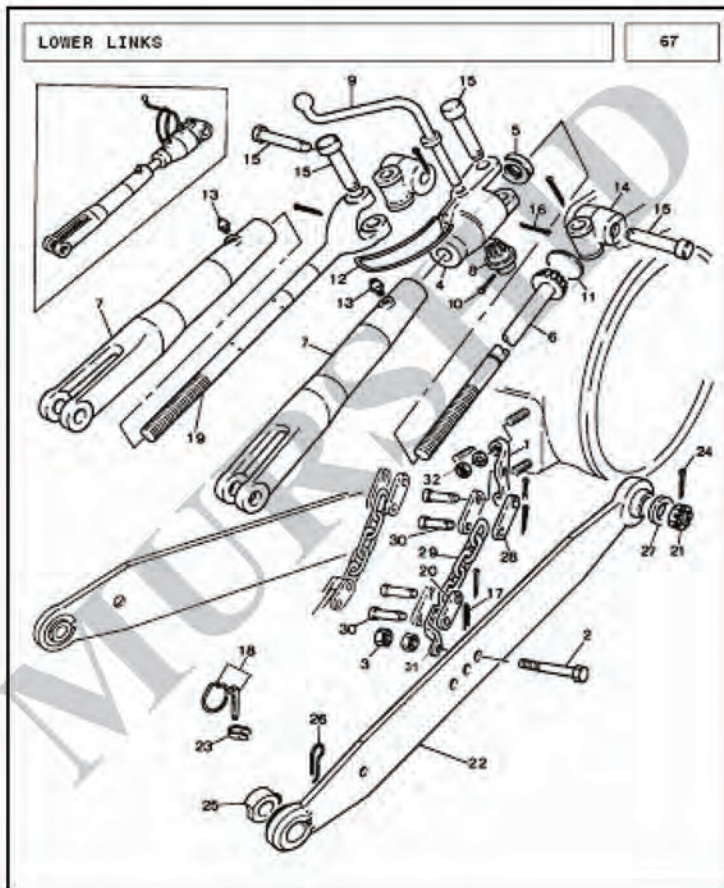
TOP LINKS**MF240**

<u>ITEM</u>	<u>CKD</u>	<u>LocalPartNo</u>	<u>QTY</u>	<u>Description</u>	<u>Source</u>
1	184225P91	25023	1	ASSY TUBE TOP LINK	L
2	831513M1	25027	1	PIN RETAINER CAT-I	L
3	810285M92	25028	2	PIN & RING ASSY	L
4	183615M93	25030	1	ASSY END IMPLEMENT CAT 2	L
5	195589M1	25034	1	PIN-CLEVIS	L



LOWER LINKS

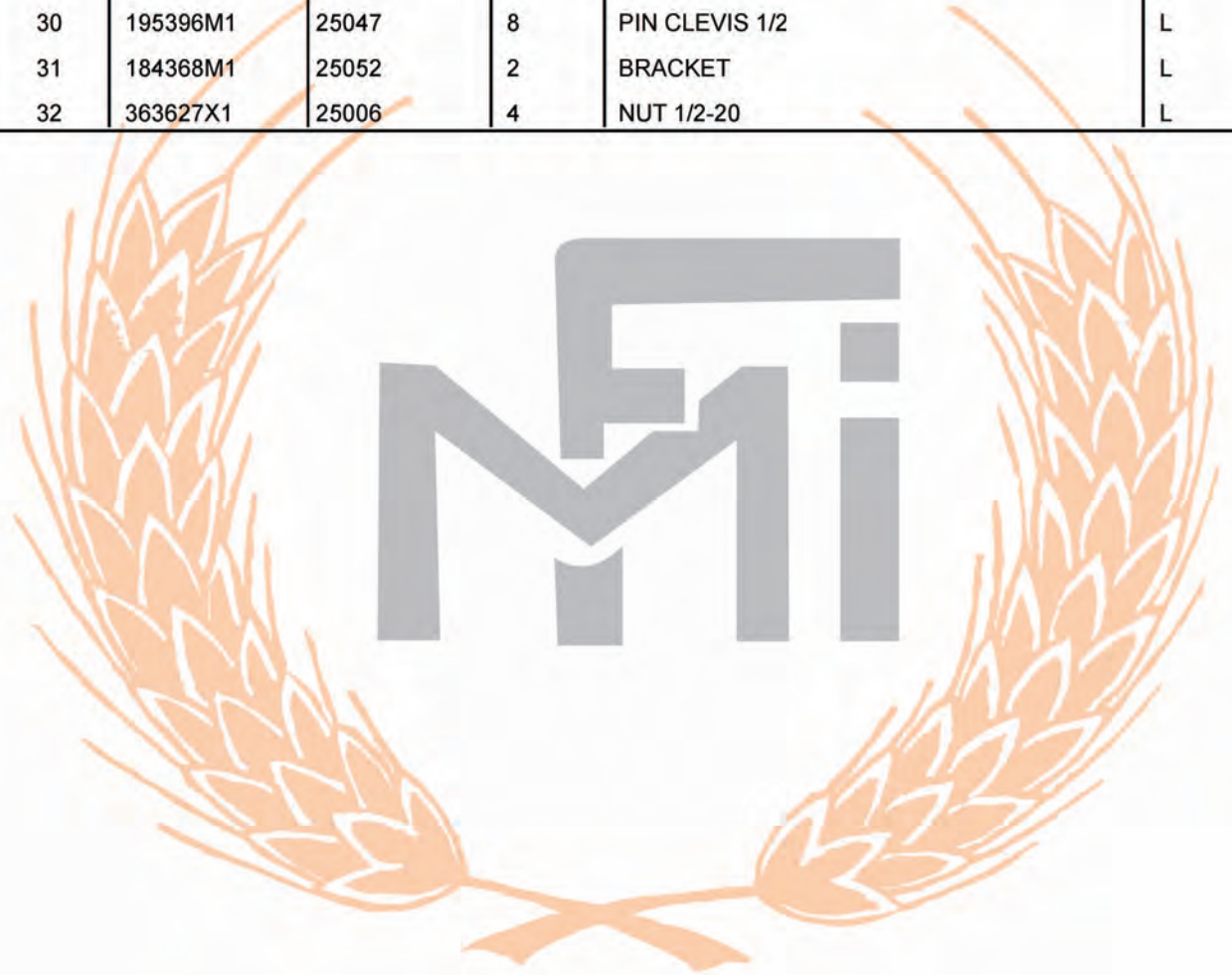
MF240

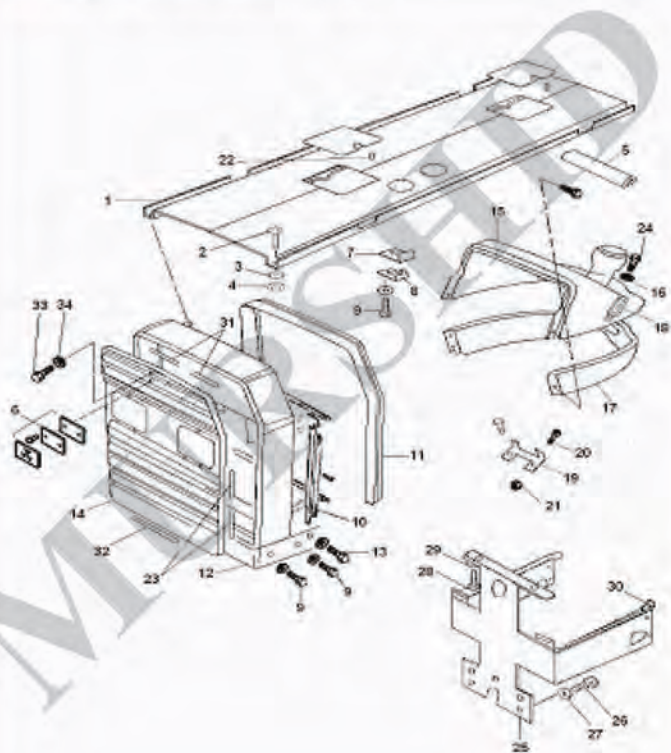


<u>ITEM</u>	<u>CKD</u>	<u>LocalPartNo</u>	<u>QTY</u>	<u>Description</u>	<u>Source</u>
1	897911M1	25002	1	ANCHOR CHECK CHAIN	L
1	897912M1	25003	1	ANCHOR CHECK CHAIN	L
2	1863267M1	25057	2	BOLT SPECIAL 5/8 - 18 UNF - 2A	L
3	353429X1	25141	4	NUT-JAM 5/8-18	L
4	193181M1	25005	1	BOX-LEVELLING	L
5	195457M1	25316	1	BEARING	L
6	1660375M1	25009	1	SHAFT (LEVELLING)	L
7	897659M1	25010	2	LIFT FORK ROD	L
8	181345M2	25011	1	GEAR LEVELLING	L
9	1662382M1	25012	1	LEVER LEVELLING	L
10	195648M1	25315	1	REVIT	L
11	195644M1	25317	1	PLUG	L
12	193092M1	25015	1	RING LOCKING	L
13	200191M1	11076	3	LUBRICATOR	L
14	897660M1	25017	2	KNUCKLE	L
15	376399X1	25018	4	PIN-CLEVIS	L
16	354066X1	25019	10	PIN COTTER	L
17	195415M1	25054	2	PIN - HAIR	L
18	810285M92	25028	2	PIN & RING ASSY	L
19	1660372M91	25020	1	ASSY YOKE LIFT ROD	L
20	1866324M1	25049	4	LINK CHECK CHAIN	L
21	353928X1	14058	2	NUT 7/16-14	L
22	1869289M91	25035	2	ASSY LOWER LINK	L
23	1869218M1	25036	2	CLIP	L
24	354068X1	14092	2	PIN COTTER	L
25	886428M1	25039	2	BALL - CAT.1	L
25	886429M1	25041	2	BALL CAT.2 LOWER LINK	L
26	1869219M1	25313	2	CLIP	L
27	353762X1	25042	2	WASHER 3/4	L

MURSHID

28	1863283M1	25045	4	LINK CHECK CHAIN	L
29	184377M1	25046	2	CHECK CHAIN	L
30	195396M1	25047	8	PIN CLEVIS 1/2	L
31	184368M1	25052	2	BRACKET	L
32	363627X1	25006	4	NUT 1/2-20	L



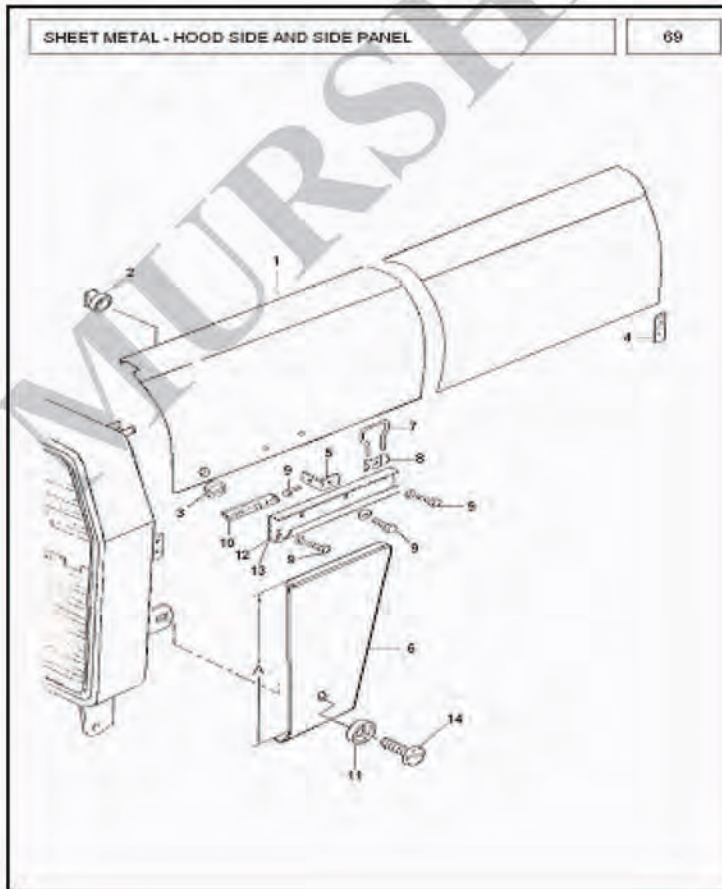


<u>ITEM</u>	<u>CKD</u>	<u>LocalPartNo</u>	<u>QTY</u>	<u>Description</u>	<u>Source</u>
1	3614689P91	23310	1	HOOD TOP ASSEMBLY	L
2	385368X1	23194	4	CARR. BOLT M8x13(385368X1 MF-375)	L
3	390892X1	25305	1	PLAIN WASHER M-8	L
4	390679X1	25304	4	NUT M-8	L
5	1672800M1	23149	1	BEADING SEAL (HOOD)	L
6	3580033M1	23142	1	BADGE ASSY	L
7	1694819M3	23096	4	KEEPER HING	L
8	1694914M3	23097	4	BRACKET HING (1694914M3 MF-375)	L
9	339124X1	163070	10	SCREW M8X16MM	L
10	1672717P2	21051	1	BRACKET RADIATOR RH	L
10	1672718P2	21052	1	BRACKET RADIATOR LH	L
11	3697716M1	23201	1	MOULDING FRONT	L
12	1682961M93	23089	1	WRAPPER ASSY	L
13	353901X1	253040	2	BOLT 5/8-11X1.1/4(353901X1 MF375)	L
14	1687819M91	23022	1	ASSY GRILL	L
15	1683524P93	23040	1	INSTRUMENT PANEL UPPER	L
16	353754X1	14048	2	WASHER-FLAT 1/4	L
17	886792P1	23039	1	INSTRUMENT PANEL LOWER	L
18	29033	29033	2	SPACER INST. PANEL	L
19	1683864M1	23144	1	BRACKET FUSE BOX	L
20	187137M1	23047	6	SCREW 10 - 32 UNF - 2A	L
21	357515X1	23048	6	NUT 10 - 32	L
22	897892M1	23137	4	HOOD DAMPER	L
23	1686414M1	23322	2	SEALING STRIP	L
24	353503X1	23032	2	SCREW UNF 1/4 -16 X 3/4	L
25	N/a	23309	1	BRACKET MULTIPLE	L
26	0920053	18583	5	WASHER	L
27	0746355	18543	5	SCREW	L
28	339124X1	163070	2	SCREW M8X16MM	L

29	390892X1	25305	2	PLAIN WASHER M-8	L
30	N/a	23317	2	BOOTSTAY HOOD	L
31	1686412M1	23320	2	SEALING STRIP	L
32	1686413M1	23321	1	SEALING STRIP	L
33	N/a	23326	1	BOLT	L
34	N/a	23327	1	Washer Front Grill Bolt	L

SHEET METAL - HOOD SIDE AND SIDE PANEL

MF240



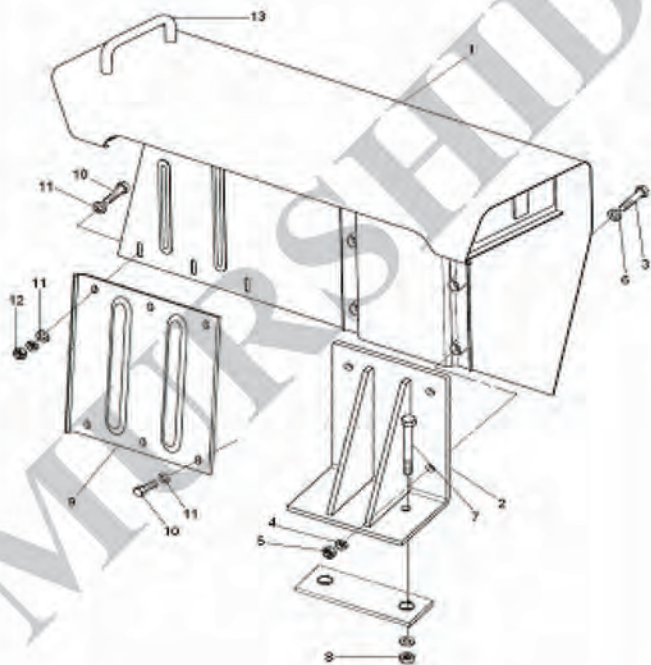
<u>ITEM</u>	<u>CKD</u>	<u>LocalPartNo</u>	<u>QTY</u>	<u>Description</u>	<u>Source</u>
1	3614689P92	23311	1	HOOD SIDE LH (POA 23086)	L
1	3614689P93	23312	1	HOOD SIDE RH (POA 23086)	L
2	1693951M3	23126	4	CAM FASTNER	L
3	1693952M2	23127	4	FASTNER	L
4	1672801M1	23150	2	EDGING SEAL	L
5	N/a	18212	2	BRACKET RADIATOR	L
6	1672717P21	23315	1	PLATE SIDE LH	L
6	1672718P21	23316	1	PLATE SIDE RH	L
7	1694817M1	233080	2	CATCH	L
8	1694816M91	23134	2	CLAMP CATCH	L
9	339124X1	163070	12	SCREW M8X16MM	L
10	3611645M1	23319	4	EDGING SEAL	L
11	3595613M1	23200	2	NYLON WASHER	L
12	1695235M4	23313	1	SIDE CHAN. LH(1695235-M4 MF-375)	L
13	1695236M5	23314	1	SIDE CHAN. RH(1695236M5 MF-375)	L
14	339123X1	23193	2	PAN HD SCW M8X20(339123X1 MF-37)	L

FENDERS AND SUPPORTS

MF240

FENDER AND SUPPORTS

70

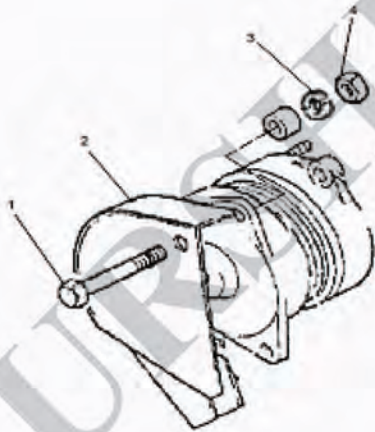


<u>ITEM</u>	<u>CKD</u>	<u>LocalPartNo</u>	<u>QTY</u>	<u>Description</u>	<u>Source</u>
1	1679373P94	34166	1	FENDER RH	L
1	1679373P94	345003	1	ASSY. FENDER RH	L
2	1808640M91	34105	2	ASSY SUPPORT FENDER	L
3	353887X1	34004	8	BOLT 1/2 -20 X 2.1/2	L
4	353439X1	34005	8	WASHER-LOCK 1/2	L
5	353437X1	34006	8	NUT 1/2 -20	L
6	355621X1	34007	8	WASHER FLAT 1/2	L
7	369424X1	34010	4	HEX BOLT 5/8 - 11	L
8	375099X1	34008	4	NUT 5/8 -11	L
9	1675414P2	34168	1	PLATE EXT. FENDER LH	L
9	1676370P1	34169	1	PLATE EXT. FENDER RH	L
10	353517X1	34014	12	BOLT 5/16-24 X 3/4	L
11	353755X1	34015	24	WASHER 5/16	L
12	353916X1	34017	12	NUT 5/16 - 24	L
13	N/a	34165	2	HOLDING HANDLE	L

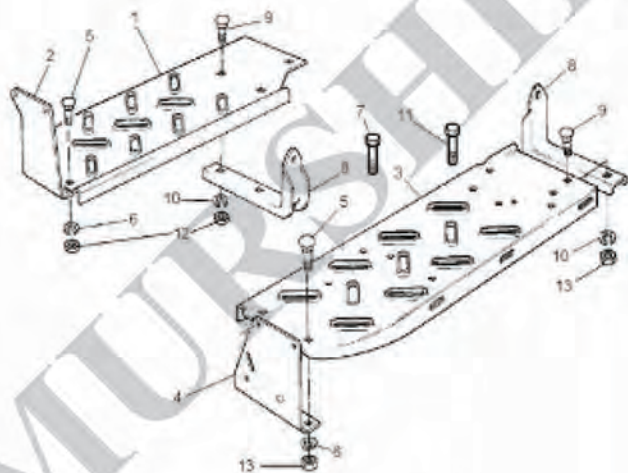
GUARDS PTO AND ALTERNATOR**MF240**

GUARDS PTO AND ALTERNATOR

71



<u>ITEM</u>	<u>CKD</u>	<u>LocalPartNo</u>	<u>QTY</u>	<u>Description</u>	<u>Source</u>
1	354267X1	39004	1	BOLT 3/8 -16 X 2.1/4	L
2	1872714M93	39013	1	GAURD ALTERNATOR	L
3	353434X1	10075	1	WASHER LOCK 3/8"	L
4	355566X1	39007	1	NUT 3/8 - 16	L

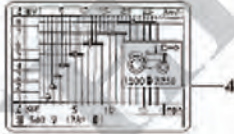
**FOOT STEP****MF240**

<u>ITEM</u>	<u>CKD</u>	<u>LocalPartNo</u>	<u>QTY</u>	<u>Description</u>	<u>Source</u>
1	880096P5	30001	1	STEP RH	L
2	892765M3	30002	1	SUPPORT	L
3	892762P6	30003	1	STEP LH	L
4	1672744P2	30004	1	SUPPORT	L
5	354241X1	30005	4	BOLT 1/4 - 28 L. 0.62	L
6	353441X1	13084	4	WASHER 1/4	L
7	339337X1	25310	5	BOLT M-8 X 30	L
8	881719M1	30008	2	BRACKET SUPPORT	L
9	353807X1	30006	4	BOLT 3/8 - 24 L. .88	L
10	353434X1	10075	4	WASHER LOCK 3/8"	L
11	339123X1	23193	6	PAN HD SCW M8X20(339123X1 MF-37)	L
12	390679X1	25304	7	NUT M-8	L
13	353431X1	30011	4	NUT 3/8 - 24	L

MASSEY FERGUSON 240 1

240 MASSEY FERGUSON 2

MILLAT TRACTOR 14



10



15



12

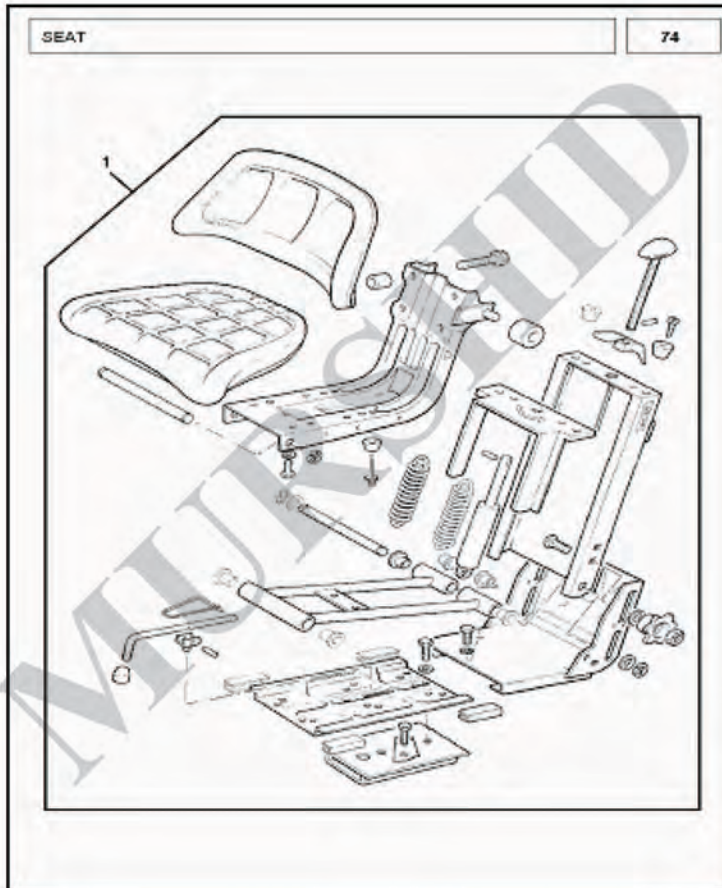
ENIKEMS

MF240

ITEM	CKD	LocalPartNo	QTY	Description	Source
1	3759666M1	33027	1	EMBLEM HOOD RH	L
2	3759667M1	33028	1	EMBLEM HOOD LH	L
3	3595479M1	33003	1	PLATE SERIAL NO. DECAL SPEED	L
4	3698568M1	33018	1	DECAL SPEED	L
5	391349X1	71005	2	RIVET	L
6	3697199M1	33023	1	DECAL FAN RH(3697199M1)	L
6	3697199M1	33024	1	DECAL FAN LH (3697199M1)	L
7	3595685M1	33020	1	DECAL-RAD. CAP(3595685M1)	L
8	3596431M2	33021	1	DECAL FUEL TANK(3596431)	L
9	3596649M2	33022	1	DECAL	L
10	3596959M1	33025	1	DECAL BATTERY WARN. (3596959M1)	L
11	1664249M1	23318	1	DECAL WARNING	L
12	3596761M1	33019	1	DECAL ELECT. (3596761M1)	L
13	N/a	33801	1	DECAL SERVICE INST	L
14	N/a	33803	1	EMBLEM MILLAT	L
15	3595675M3	33026	1	DECAL MAIN INSTR(3595675M3 MF375)	L

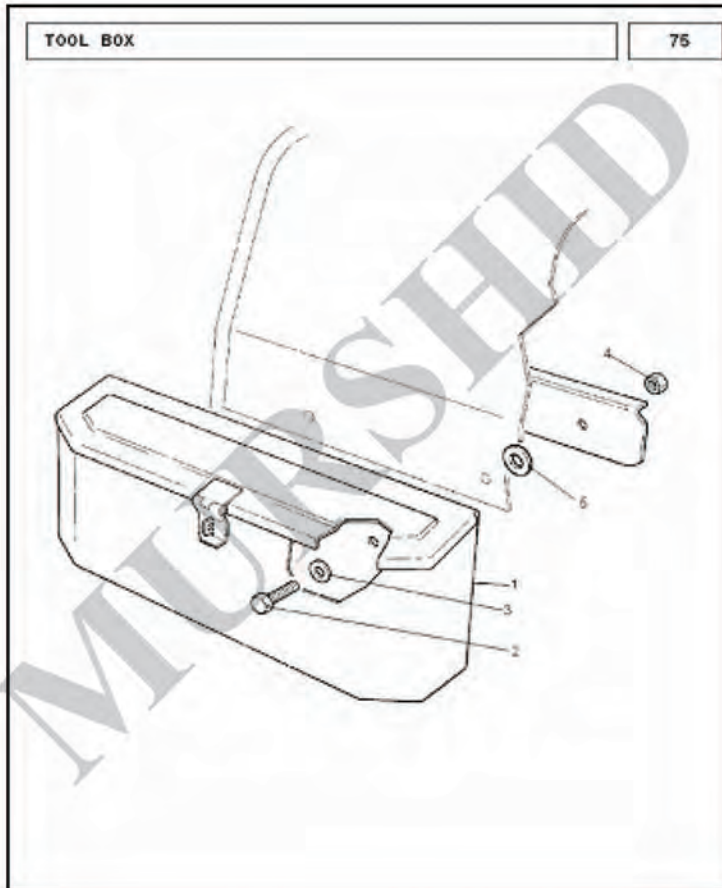
DRIVER SEAT

MF240

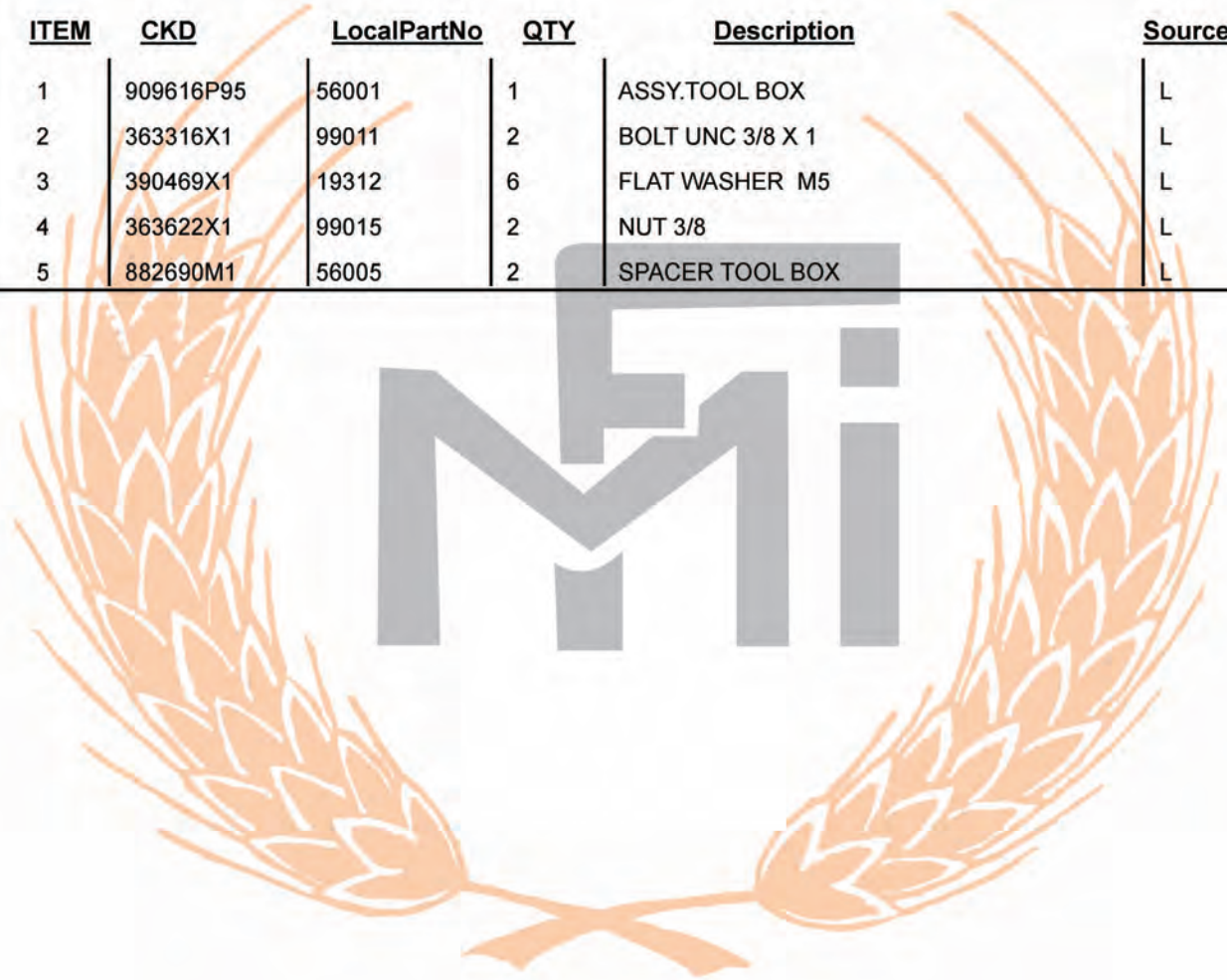


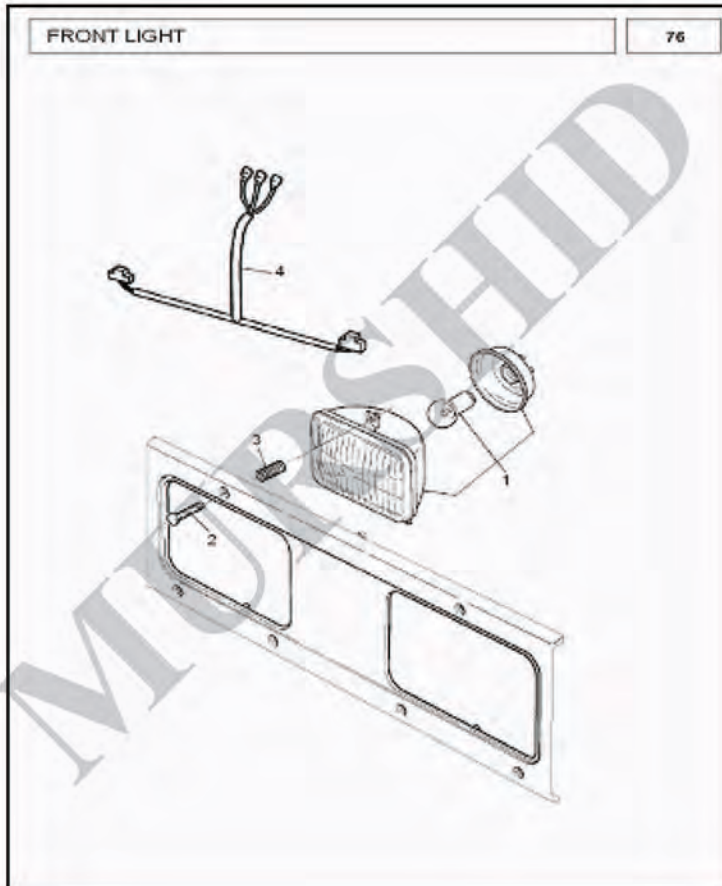
<u>ITEM</u>	<u>CKD</u>	<u>LocalPartNo</u>	<u>QTY</u>	<u>Description</u>	<u>Source</u>
1	1689031M91	22075	1	GRAMMER SEAT ASSY	L



TOOL BOX**MF240**

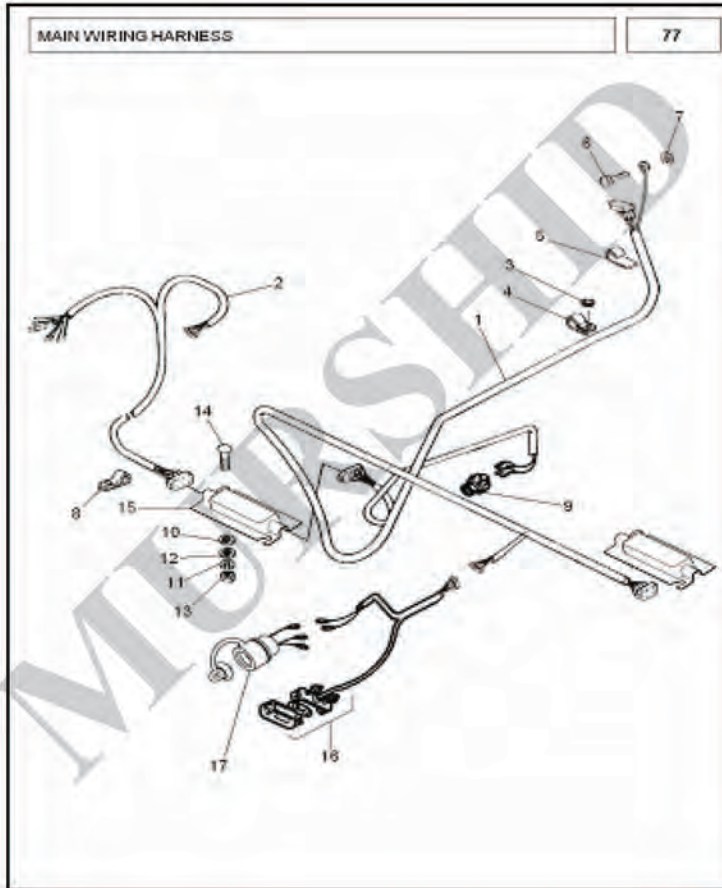
<u>ITEM</u>	<u>CKD</u>	<u>LocalPartNo</u>	<u>QTY</u>	<u>Description</u>	<u>Source</u>
1	909616P95	56001	1	ASSY.TOOL BOX	L
2	363316X1	99011	2	BOLT UNC 3/8 X 1	L
3	390469X1	19312	6	FLAT WASHER M5	L
4	363622X1	99015	2	NUT 3/8	L
5	882690M1	56005	2	SPACER TOOL BOX	L



FRONT LIGHTING EQUIPMENT**MF240**

<u>ITEM</u>	<u>CKD</u>	<u>LocalPartNo</u>	<u>QTY</u>	<u>Description</u>	<u>Source</u>
1	1672766M91	35050	2	ASSY HEAD LAMP RH DIP	L
2	1860172M1	35053	6	HEAD LAMP SCREW 10 - 32 UNF - 2A	L
3	3771550M1	35054	6	SPRING HEAD LIGHT	L
4	1678405M91	34053	1	WIRE ASSY HEAD LAMP	L



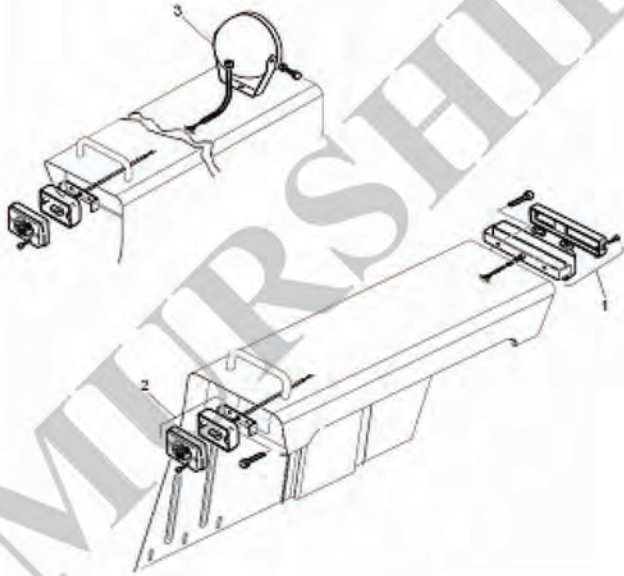
**MAIN WIRING HARNESS****MF240**

<u>ITEM</u>	<u>CKD</u>	<u>LocalPartNo</u>	<u>QTY</u>	<u>Description</u>	<u>Source</u>
1	3613850M91	34016	1	ASSY HARNESS REAR	L
2	3613853M91	34026	1	ASSY HARNESS FENDER RH	L
2	3613854M91	34027	1	ASSY HARNESS FENDER LH	L
3	353772X1	22006	1	WASHER HARDENED 7/16	L
4	884518M1	34056	1	CLIP	L
5	1873860M1	34019	1	OPEN CLIP	L
6	353502X1	13028	1	SCREW 1/4-28 x 3/4	L
7	353754X1	14048	1	WASHER-FLAT 1/4	L
8	1680882M1	34055	2	CLIP	L
9	1687049M92	34024	1	ASSY SWITCH STOP LIGHT	L
10	353773X1	34064	2	FLAT WASHER 1/2	L
11	353434X1	10075	2	WASHER LOCK 3/8"	L
12	355619X1	11066	2	WASHER LARGE 3/8	L
13	353431X1	30011	2	NUT 3/8 - 24	L
14	353807X1	30006	2	BOLT 3/8 - 24 L. .88	L
15	N/a	24032	2	COVER HARNESS	L
16	1684833M91	34155	1	LAMP NO. PLATE	L
17	409965M1	34057	1	SOCKET 7 PIN	L

REAR LIGHTING EQUIPMENT**MF240**

REAR LIGHTING EQUIPMENT

78



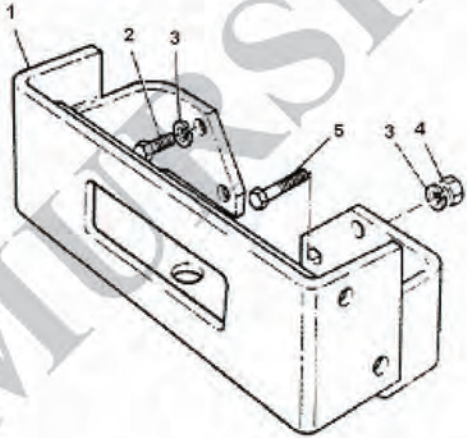
<u>ITEM</u>	<u>CKD</u>	<u>LocalPartNo</u>	<u>QTY</u>	<u>Description</u>	<u>Source</u>
1	1678868M91	34174	1	LAMP REAR IND STOP LH	L
1	1678869M91	34175	1	LAMP REAR IND STOP RH	L
2	1678990M91	34177	1	LAMP FRONT RH INDICATOR	L
2	1678991M91	34176	1	LAMP FRONT LH INDICATOR	L
3	1678582M91	34173	1	ASSY WORK LAMP	L

A large, stylized watermark logo consisting of the letters 'MMi' in a bold, sans-serif font. The logo is centered and surrounded by a laurel wreath made of orange and yellow leaves. The entire watermark is semi-transparent and overlaid on the right side of the page.

WEIGHT FRAME AND TOW PIN**MF240**

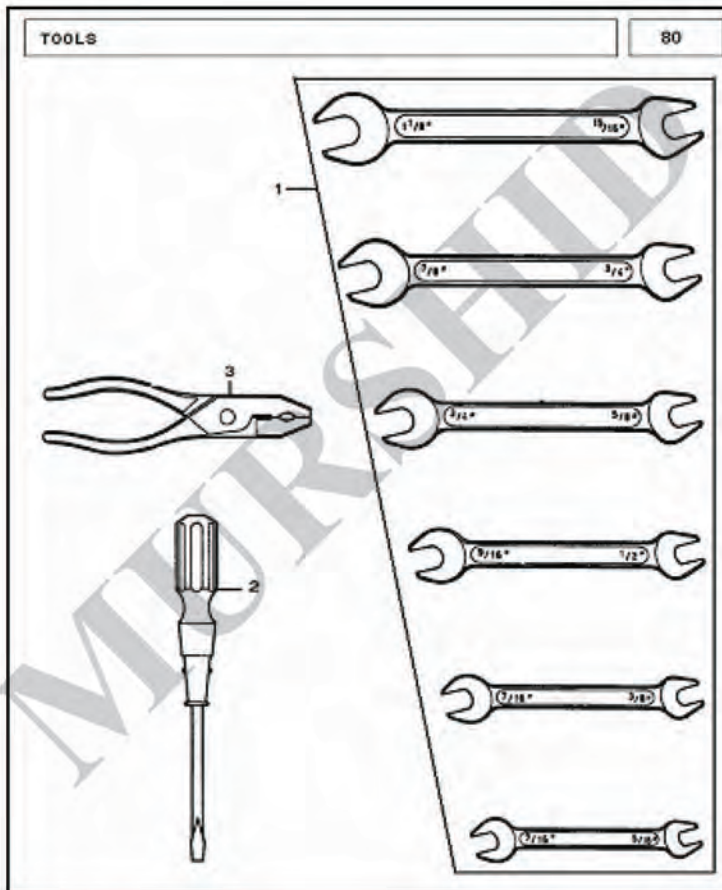
WEIGHT FRAME AND TOW PIN

79

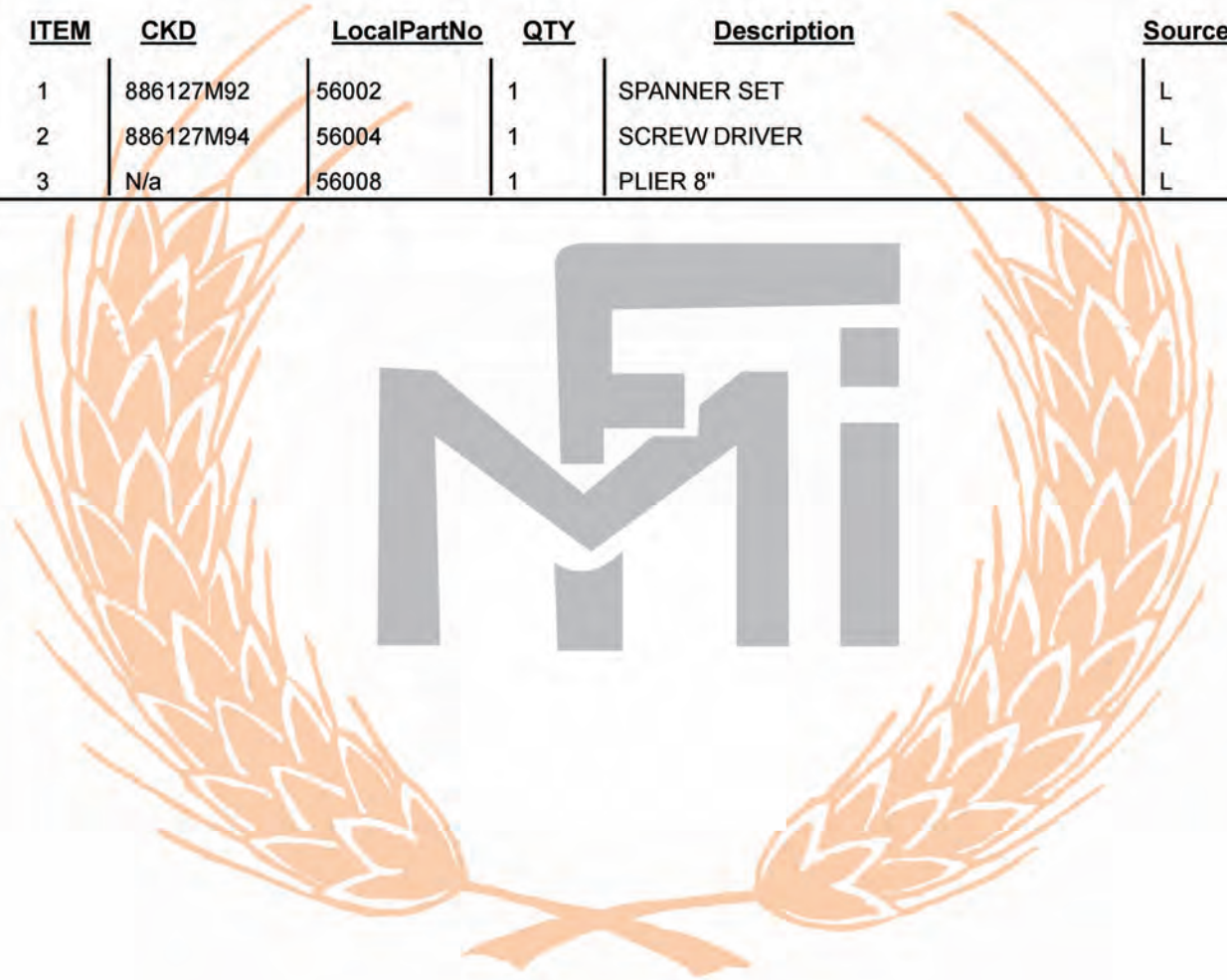


<u>ITEM</u>	<u>CKD</u>	<u>LocalPartNo</u>	<u>QTY</u>	<u>Description</u>	<u>Source</u>
1	25032G92	23324	1	WEIGHT FRAME	L
2	353727X1	85022	2	BOLT 5/8-11-2A x 1-3/4	L
3	353433X1	14085	4	WASHER 5/8	L
4	353427X1	14036	1	NUT 5/8-18	L
5	353632X1	14074	2	BOLT 5/8 - 18 L. 4.12	L

Mi

TOOLS**MF240**

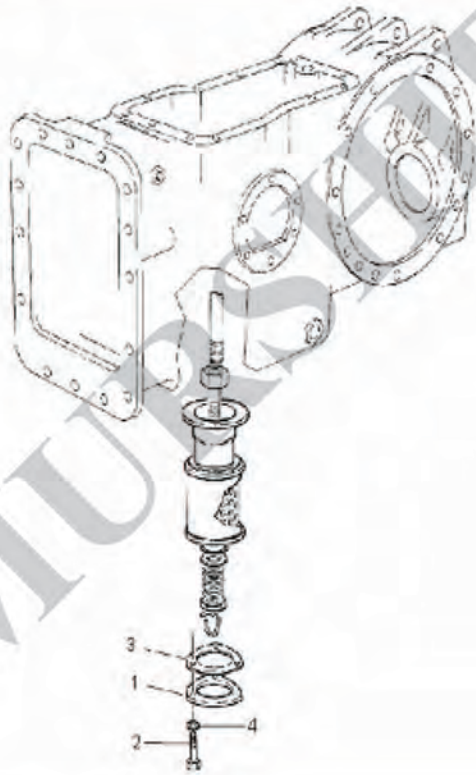
<u>ITEM</u>	<u>CKD</u>	<u>LocalPartNo</u>	<u>QTY</u>	<u>Description</u>	<u>Source</u>
1	886127M92	56002	1	SPANNER SET	L
2	886127M94	56004	1	SCREW DRIVER	L
3	N/a	56008	1	PLIER 8"	L



OIL FILTER**MF240**

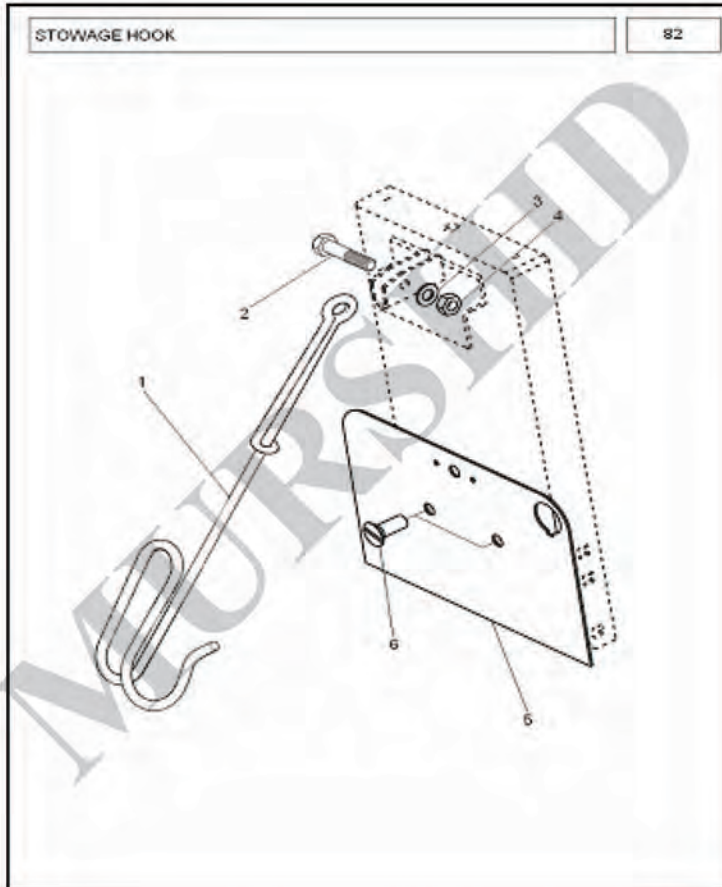
OIL FILTER

81



<u>ITEM</u>	<u>CKD</u>	<u>LocalPartNo</u>	<u>QTY</u>	<u>Description</u>	<u>Source</u>
1	1869491M1	41002	1	PLATE COVER	L
2	353676X1	41004	3	SCREW 5/15-18X5/8	L
3	1660551M2	41005	1	GASKET	L
4	353446X1	19017	3	WASHER 5/16	L

Mfi

STOWAGE HOOK**MF240**

<u>ITEM</u>	<u>CKD</u>	<u>LocalPartNo</u>	<u>QTY</u>	<u>Description</u>	<u>Source</u>
1	3699930M1	25252	1	HOOK STORAGE (3699930M1)	L
2	339123X1	25303	1	BOLT M-8 X 20 (339123X1)	L
3	1442802X1	25301	1	WASHER LOCK M-10	L
4	390679X1	25304	1	NUT M-8	L
5	3762569P91	22107	1	ASSY.NUMBER PLATE	L
6	376408X1	14079	2	SCREW 7/16 - 14 L. 0.75	L

