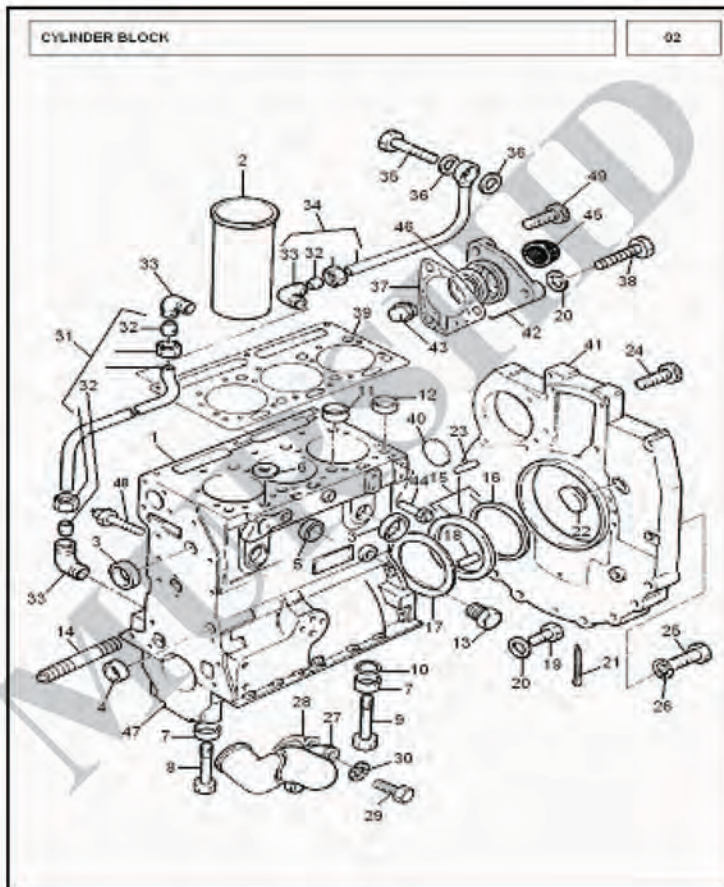


<u>ITEM</u>	<u>CKD</u>	<u>LocalPartNo</u>	<u>QTY</u>	<u>Description</u>	<u>Source</u>
1	41423584	185000	1	CYLINDER BLOCK ASSY.	L
2	1687531M1	18647	1	FAN BELT	I
3	828123M2	18643	1	BEARING CLUTCH PIVOT	I
4	3019855X1	18502	2	BOLT M12 L. 70	L
5	339369X1	18621	2	LOCK WASHER I/D12.2 OD21.1 T.2.5	L
6	3019857X1	18610	1	BOLT M12 L. 90	L
7	339369X1	18621	2	LOCK WASHER I/D12.2 OD21.1 T.2.5	L
8	3019862X1	18611	1	NUT M12	L
9	3019852X1	18501	3	BOLT M12 L. 55	L
10	3019855X1	18502	8	BOLT M12 L. 70	L
11	3019858X1	18503	1	SCREW M12 L. 35	L
12	825302M1	18220	2	DOWEL	L
13	378810X1	185022	4	BOLT	L
14	353446X1	19017	4	WASHER 5/16	L
15	3774450M1	375002	1	FAN (PLASTIC)	L
16	736519M2	383005	2	SPACER FAN	L
17	2654408	18062	1	FILTER LUB OIL LHS	L
18	3009794X1	18612	1	SCREW 12 POINT HEAD M12x1.5 L.70	L

CYLINDER BLOCK

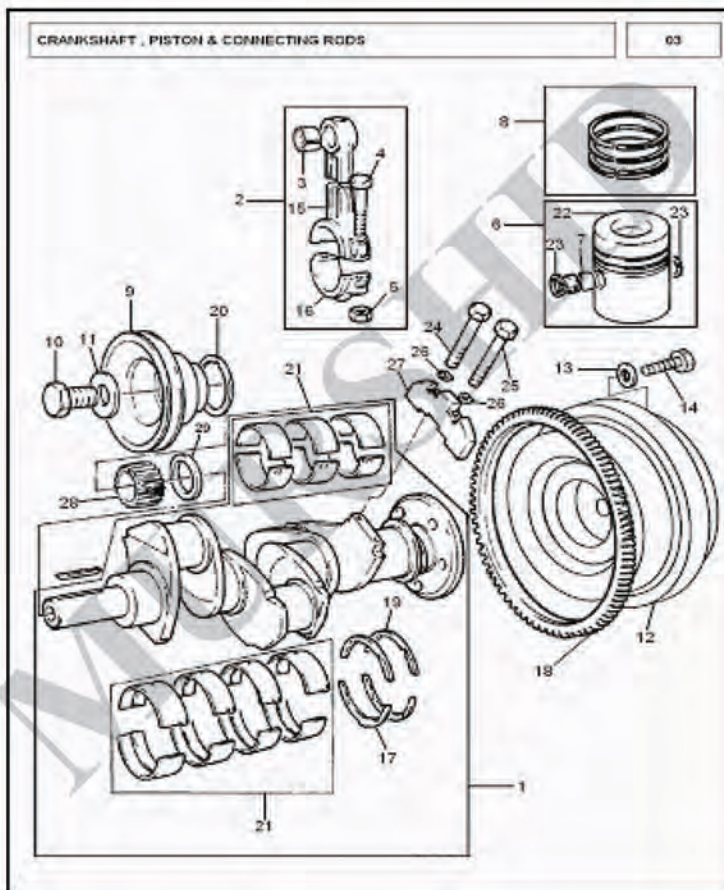
MF260



<u>ITEM</u>	<u>CKD</u>	<u>LocalPartNo</u>	<u>QTY</u>	<u>Description</u>	<u>Source</u>
1	3711C059	185025	1	CYLINDER BLOCK	L
2	31358356	185041	3	LINER CYLINDER BLOCK	L
3	0650710	18153	2	PLUG WATER JACKET	L
4	0650566	18155	2	PLUG	L
5	32417163	18164	2	PLUG CYLINDER BLOCK	L
6	33141124	18152	1	PLUG	L
7	33137409	18151	8	THIMBLE MAIN BRG CAP	L
8	32181441	18526	6	SCREW	L
9	32181442	18527	2	SCREW	L
10	2415608	18657	2	O RING	L
11	33157142	18196	2	PLUG	L
12	33157143	18197	2	PLUG	L
13	32161114	18178	1	PLUG	L
14	32537404	18581	1	STUD	L
15	4142V002	18063	1	HOUSING REAR END OIL SEAL	L
16	2418F475	18641	1	SEAL	I
17	33826115	18600	1	JOINT	L
18	0350015	18181	2	DOWEL	L
19	0746255	18540	9	SCREW	L
20	0920003	18567	12	WASHER	L
21	0610045	18634	1	SPLIT PIN	L
22	37813113	18175	1	PLUG ADAPTOR PLATE	L
23	0350016	18180	2	DOWEL	L
24	362431X1	23023	2	SCREW 3/8 -16 X 7/8	L
25	0746454	18544	6	SCREW	L
26	0920054	18584	6	WASHER	L
27	3765T011	185004	1	CONNECTION	L
28	3686J003	18006	1	JOINT CYL BLK/W-INLET CONNECT	L
29	2183205	18506	2	BOLT	L

MURSHID

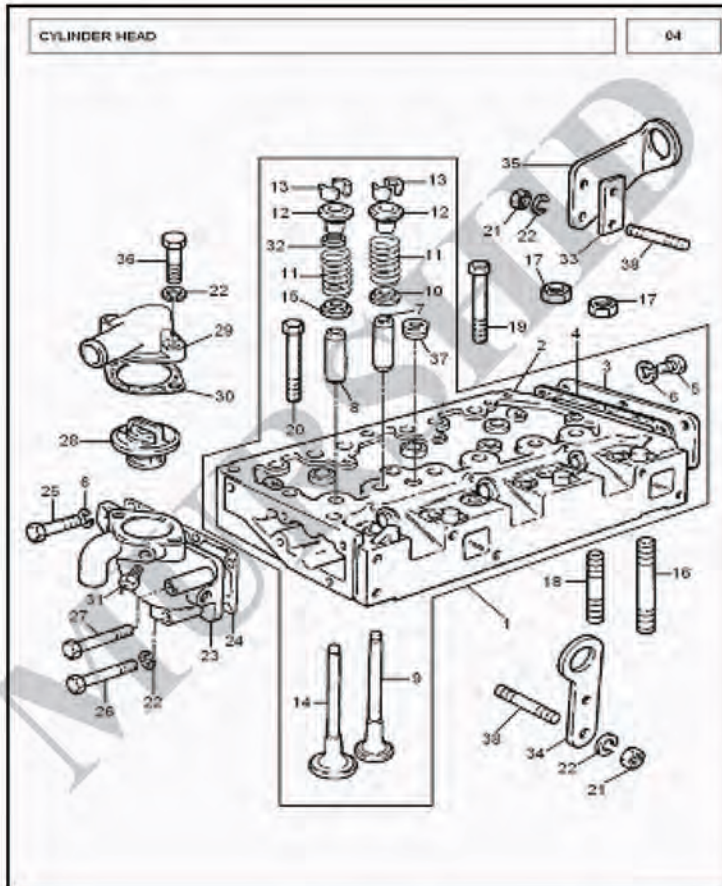
30	0920053	18583	2	WASHER	L
31	35352404	18015	1	PIPE L/O PRS-RAIL-CAM SHAFT	L
32	0560244	18157	3	OLIVE LUB OIL DELIVERY PIPE	L
33	0201047	18187	1	ELBOW	L
34	35568109	18016	1	PIPE L/O CAMSHAFT-CHAMBER CYL	L
35	0095350	18560	1	BOLT	L
36	2411118	18590	2	WASHER	L
37	36862605	18604	1	JOINT	L
38	2183203	187041	4	SCREW	I
39	3681E024	185074	1	GASKET CYLINDER HEAD	L
40	0650592	18154	1	PLUG	L
41	37147975	18030	1	ADAPTOR PLATE	L
42	37416751	18150	1	COVER TACHO-METER DRIVE	L
43	33473106	18179	1	ADAPTOR TECHO-DRIVE METER	L
44	32114472	18213	1	PLUG BRG FACING	L
45	32813106	18510	1	CAP	L
46	30854	18642	1	SEAL	I
47	31331251	18090	1	CAP MAIN BEARING FRONT	L
47	31331252	18091	2	CAP MAIN BEARING INTERMEDIATE	L
47	31331614	18092	1	CAP MAIN BRG REAR	L
48	2485A204	18594	1	PLUG	L
49	N/A	18507	1	BOLT	L



ITEM	CKD	LocalPartNo	QTY	Description	Source
1	M7BH0001	185093	1	ASSY. CRANKSHAFT +B.W+GR+ HW	I
2	41152926	18400	3	CONNECTING ROD ASSY	L
3	31134151	18102	1	BUSH	L
4	0095250	18103	2	SCREW	L
5	33221327	18104	2	NUT	L
6	U5LU0023	185112	3	ASSY. PISTON KIT	I
7	3313M005	185120	4	PIN	I
8	4181A017	185073	3	RING PISTON	I
9	31143733	18040	1	PULLEY CRANK SHAFT	L
10	32162331	18556	1	SCREW	L
11	3321A004	18586	1	WASHER	L
12	31215851	18011	1	FLY WHEEL	L
13	33117127	18565	6	WASHR ID 13.10 OD 19.05 T. 2.64	L
14	32162203	18225	6	BOLT	L
15	31337223	18078	1	CONNECTING ROD	L
16	31337542	18079	1	CAP CON ROD	L
17	31137221	18087	2	WASHER CRN/SHAFT THRT RR CAP	L
18	0410236	18047	1	STARTER RING	L
19	31137211	18086	2	WASHER CRN/SHAFT THRT RR JRNL	L
20	33176137	18618	1	SPACER CRANK PULLEY	L
21	U5MK0100	18667	1	Shell Bearings Set	I
22	3135F051	185072	1	PISTON	I
23	0170009	185113	1	CIRCLIP	L
24	2185189	18663	2	BOLT	L
25	2185190	N/A	2	BOLT	L
26	33115411	185119	4	WASHER	L
27	31328242	18662	2	BALANCE WEIGHT	L
28	31163495	18665	1	GEAR CRANKSHAFT	L
29	330811	18666	1	SPACER CRANKSSHAFT	L

CYLINDER HEAD

MF260



<u>ITEM</u>	<u>CKD</u>	<u>LocalPartNo</u>	<u>QTY</u>	<u>Description</u>	<u>Source</u>
1	37116181	185100	1	ASSY. CYLINDER HEAD (TURBO)	L
2	37116187	18013	1	CYLINDER HEAD	L
3	3612M002	18176	1	COVER CYL REAR END	L
4	36851416	18602	1	JOINT	L
5	0746254	18539	8	SCREW	L
6	0920053	18583	8	WASHER	L
7	U3313E734	185103	3	GUIDE EXHAUST	L
8	U3316A032	185102	3	GUIDE INLET	L
9	31431031	185013	3	VALVE	L
10	33415133	18635	3	WASHER	L
11	0780006	18636	6	SPRING	I
12	33423148	18608	6	CAP	L
13	0230001	18637	12	COTTER	L
14	31431981	185012	3	VALVE	L
15	33177518	185088	3	WASHER SPRING LOCATING	L
16	32524132	18573	1	STUD	L
17	33221329	18563	4	NUT	L
18	32524148	18574	3	STUD	L
19	32181457	18557	5	SCREW	L
20	32181458	18558	9	SCREW	L
21	0576051	18550	4	NUT	L
22	0920054	18584	8	WASHER	L
23	37766364	185015	1	HOUSING	L
24	3685A005	18003	1	JOINT THMT HSG TO CYL HEAD(0490482)	L
25	2183205	18506	3	BOLT	L
26	0096437	18533	1	SCREW	L
27	0096441	18534	1	SCREW	L
28	2485666	18638	1	THERMOSTAT	I
29	37747581	18035	1	WATER OUTLET	L

MURSHID

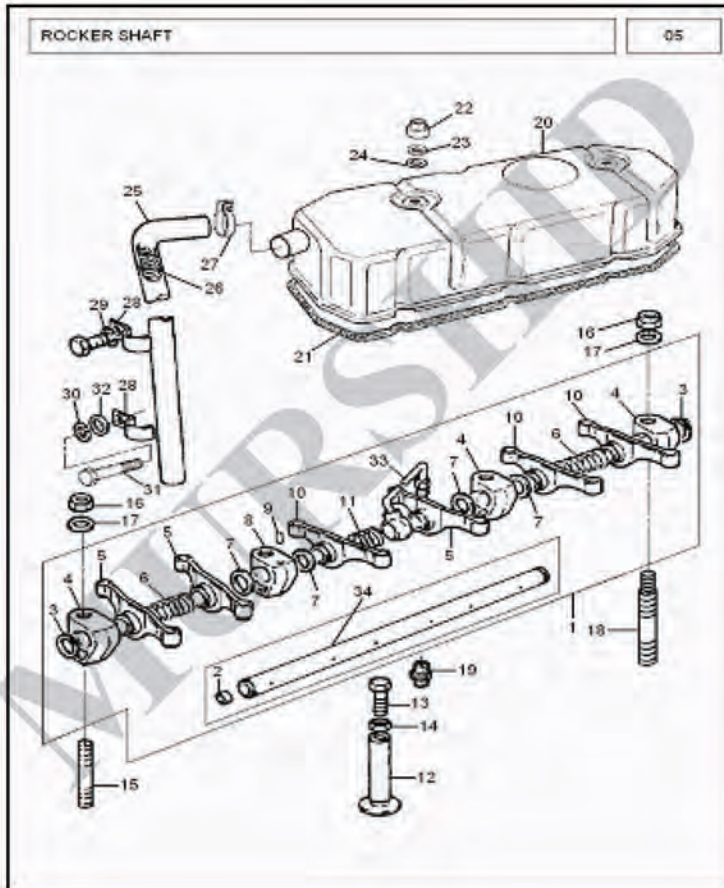
30	36834169	18603	1	JOINT	L
31	1877731M92	29003	1	ASSY TRANSMITTER TEMP	L
32	2415258	185110	3	SEAL	L
33	3611000	18170	1	PLATE R-LIFTING PLT-CYL HD SPC	L
34	36456321	18207	1	PLATE ENGINE LIFTING FRONT	L
35	36237171	18208	1	PLATE ENGINE LIFTING REAR	L
36	0096432	18532	2	SCREW	L
37	2431154	18593	2	PLUG	L
38	0826462	18579	2	STUD	L

Mi



ROCKER SHAFT

MF260



<u>ITEM</u>	<u>CKD</u>	<u>LocalPartNo</u>	<u>QTY</u>	<u>Description</u>	<u>Source</u>
1	4115R805	18160	1	ROCKER SHAFT ASSY	L
2	0650507	18198	2	PLUG	L
3	0170033	18646	2	CIRCLIP	L
4	0101138	18001	3	BRACKET ROCKER SHAFT	L
5	3737A091	18168	3	ROCKER LEVER RH	L
6	0780005	18629	2	SPRING	L
7	0330505	18070	4	SPACER	L
8	37521212	18033	1	BRACKET ROCKER SHAFT	L
9	2112A066	18184	1	PIN	L
10	3737A101	18167	3	ROCKER LEVER LH	L
11	0780175	18628	1	SPRING	L
12	0860012	18194	6	TAPPET	L
13	32151116	18554	6	SCREW	L
14	0576052	18551	6	NUT	L
15	2214209	18569	2	STUD	L
16	2211283	18562	4	NUT	L
17	0920004	18568	4	WASHER	L
18	32754435	18595	2	STUD	L
19	0206002	18188	1	CONNECTION	L
20	37188571	18031	1	COVER CYL HEAD ASSY (TAPPET)	L
21	36811115	18025	1	JOINT CYL HD COVER TO CYL HEAD	L
22	0576102	18654	2	NUT	L
23	3314P004	18585	2	WASHER	L
24	3381A003	18607	2	WASHER	L
25	33872531	18599	1	HOSE	L
26	31754118	18177	1	SPRING	L
27	0180063	18631	1	CLIP	L
28	36561129	18587	2	CLIP	L
29	0920053	18583	1	WASHER	L

MURSHID

30	0920052	18582	1	WASHER	L
31	0748354	18545	1	SCREW	L
32	0920002	18566	1	WASHER	L
33	35568109M1	18017	1	PIPE	L
34	31411142	18160	1	ROCKER SHAFT	L

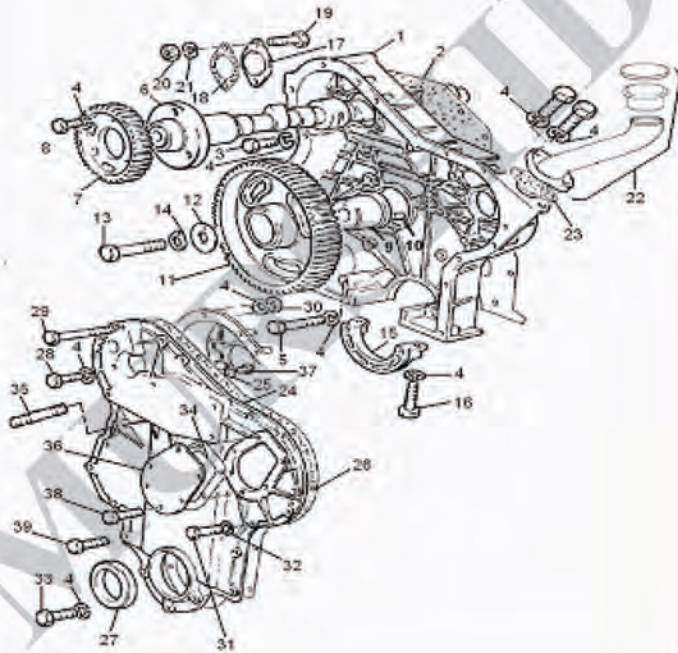


TIMMING GEAR, CAMSHAFT & OIL FILTER

MF260

TIMING GEAR, CAMSHAFT & OIL FILTER

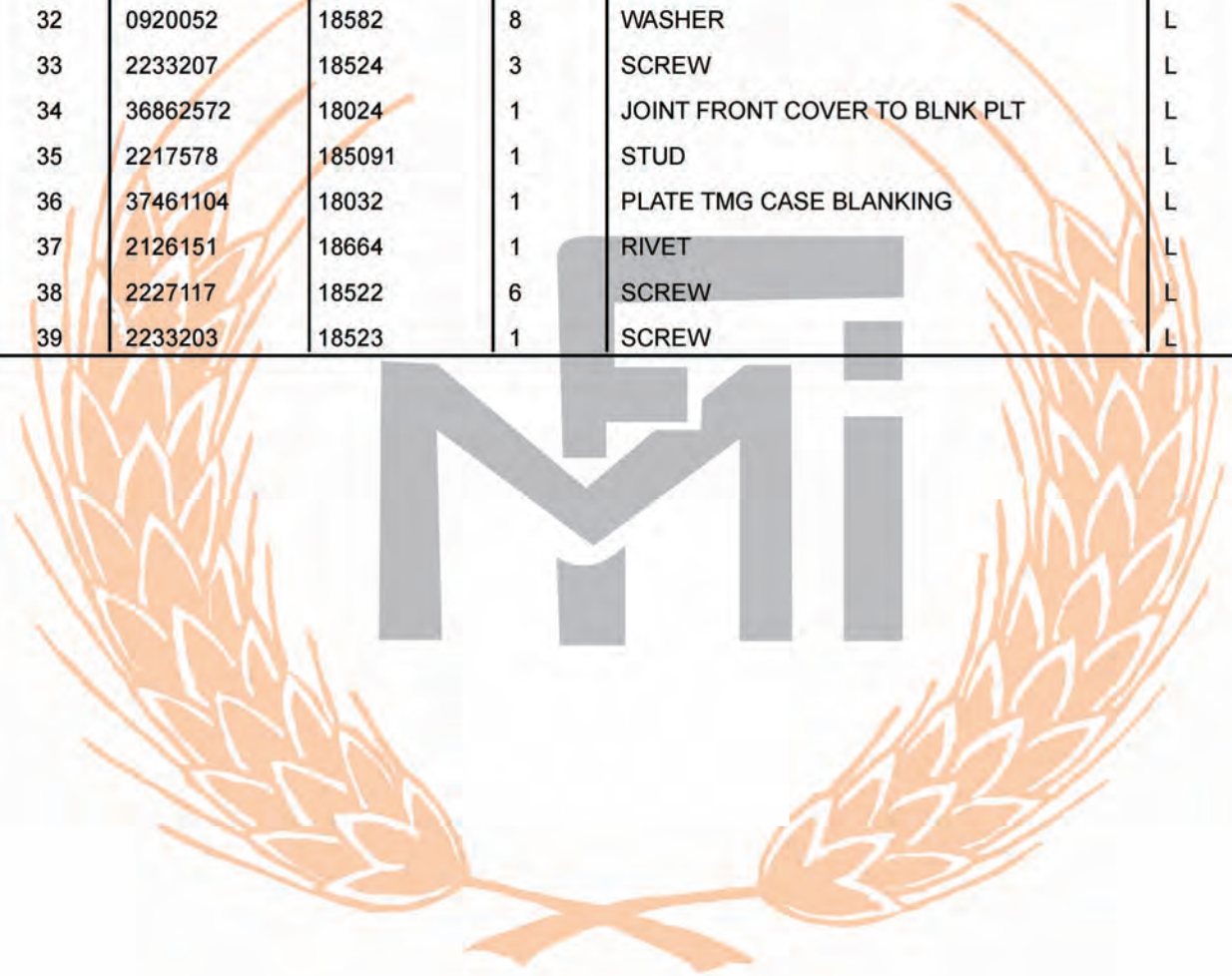
06

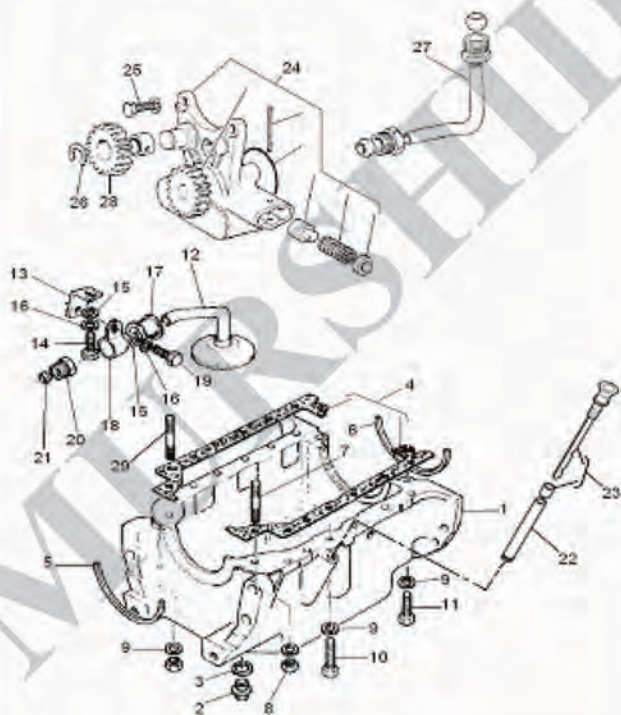


ITEM	CKD	LocalPartNo	QTY	Description	Source
1	37161482	185006	1	TIMING CASE	L
2	36814161	18026	1	JOINT CYL BLOCK TMGCASE(36814119)	L
3	0746355	18543	12	SCREW	L
4	0920053	18583	14	WASHER	L
5	0096234	18530	2	SCREW	L
6	31415264	185037	1	CAMSHAFT	L
7	3116K111	185003	1	GEAR CAMSHAFT	L
8	0746214	18538	3	SCREW	L
9	0995447	18010	1	HUB IDLER GEAR	L
10	0350005	18183	1	DOWEL	L
11	31164362	185130	1	GEAR IDLER	L
12	3241H013	185018	1	PLATE	L
13	0095199	18548	1	SCREW	L
14	0920883	18598	1	TABWASHER	L
15	37354312	18098	1	COVER TMG CASE BOTTOM	L
16	0746259	18542	2	SCREW	L
17	37461104	18021	1	PLATE BLANKING	L
18	36835432	18201	1	JOINT	L
19	0748510	18547	2	SCREW	L
20	2238153	18521	2	NUT	L
21	0920054	18584	2	WASHER	L
22	3578X001	185009	1	FILLER	L
23	36837415	18601	1	JOINT	L
24	37167794	185007	1	COVER	L
25	3661P002	18588	1	SPRING	L
26	36813158	18014	1	JOINT FRONT COVER TMGCASE(36813136)	L
27	2415344	18639	1	SEAL	I
28	0748414	18546	2	SCREW	L
29	0096213	18528	1	SCREW	L

MURSHID

30	0576002	18549	1	NUT	L
31	0748354	18545	8	SCREW	L
32	0920052	18582	8	WASHER	L
33	2233207	18524	3	SCREW	L
34	36862572	18024	1	JOINT FRONT COVER TO BLNK PLT	L
35	2217578	185091	1	STUD	L
36	37461104	18032	1	PLATE TMG CASE BLANKING	L
37	2126151	18664	1	RIVET	L
38	2227117	18522	6	SCREW	L
39	2233203	18523	1	SCREW	L

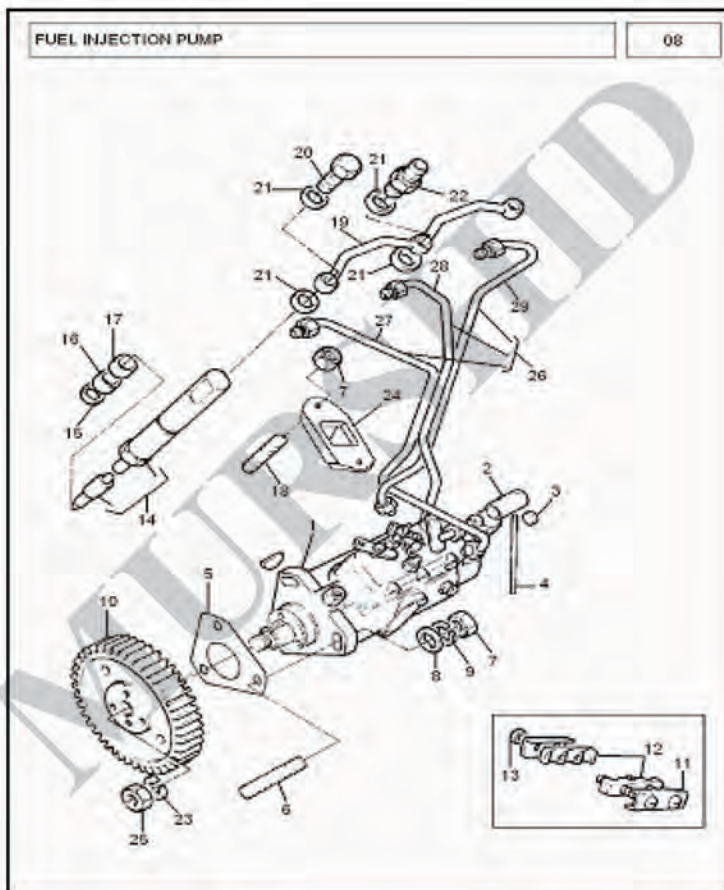




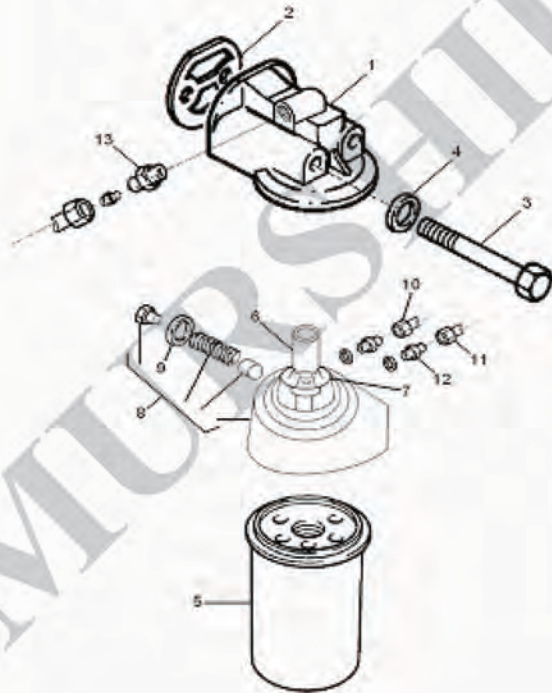
ITEM	CKD	LocalPartNo	QTY	Description	Source
1	37172483	185023	1	SUMP LUB OIL (TURBO)	L
2	32186405	18596	1	PLUG	L
3	2415715	18658	1	O RING	L
4	41424233	18038	2	JOINT SUMP TO BLOCK ASSY	L
5	3688V003	18504	1	JOINT	L
6	3688V002	18505	1	JOINT	L
7	0826265	18576	2	STUD	L
8	0576002	18549	2	NUT	L
9	0920053	18583	17	WASHER	L
10	0746211	187024	11	SCREW	L
11	0096245	18531	2	SCREW	L
12	35137623	18068	1	PIPE L/O SUCTION ASSY	L
13	38311124	18190	1	BRACKET SUCTION PIPE SUPP-ASSY	L
14	0746052	18536	1	SCREW	L
15	0920002	18566	2	WASHER	L
16	0920052	18582	2	WASHER	L
17	33817308	18156	1	BUSH SUCTION PIPE CLAMPG CLIP	L
18	36631118	18189	1	CLIP	L
19	0746053	18537	1	SCREW	L
20	33532121	18158	3	NUT LUB OIL LEVER PIPE	L
21	0560244	18157	3	OLIVE LUB OIL DELIVERY PIPE	L
22	33242412	18195	1	TUBE	L
23	3178C088	18661	1	DIPSTICK	L
24	41314187	18096	1	PUMP LUB OIL ASSY	L
25	2235210	18075	3	SCREW	L
26	0180831	18645	1	CIRCLIP	L
27	34711129	18049	1	PIPE LUB OIL PUMP TO CYL BLK	L
28	31163372	18192	1	GEAR L/O PUMP IDLER	L
29	0826285	18577	1	STUD	L

FUEL INJECTION PUMP

MF260



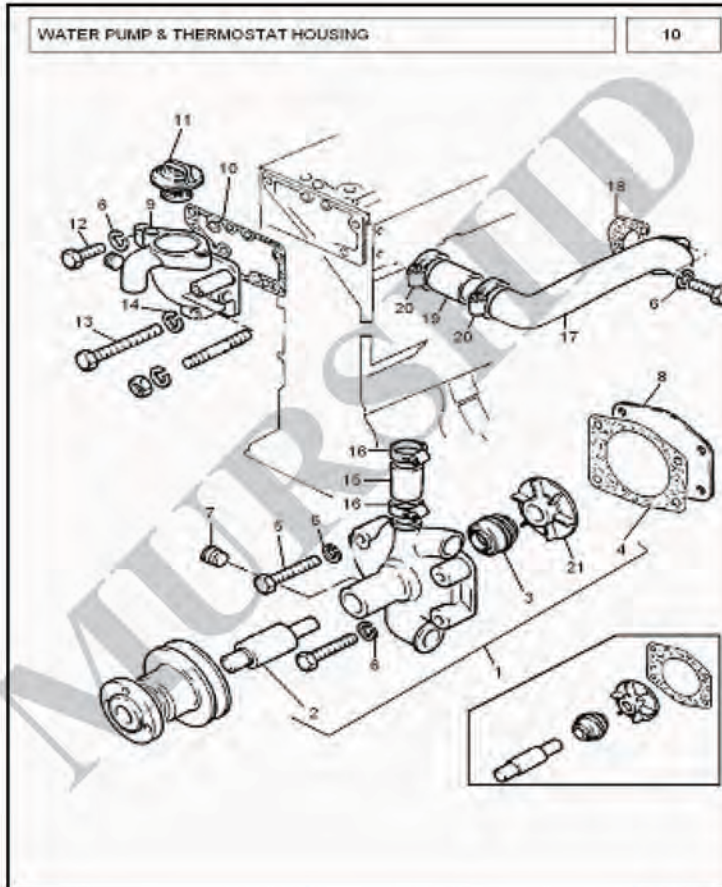
<u>ITEM</u>	<u>CKD</u>	<u>LocalPartNo</u>	<u>QTY</u>	<u>Description</u>	<u>Source</u>
1	2643B141	185076	1	FUEL INJECTION PUMP	I
2	3281M002	18174	1	SLEEVE THROTTLE LVR ADJ SCREW	L
3	31718104	18625	1	SEAL	L
4	31718105	18659	1	LOCK WIRE	L
5	3682A008	183069	1	JOINT	L
6	2217575	18571	3	STUD	L
7	0576002	18549	9	NUT	L
8	0920003	18567	3	WASHER	L
9	0920053	18583	3	WASHER	L
10	3116K072	185002	1	GEAR FUEL INJECTION PUMP	L
11	38631117	18627	1	ASSY. CHANNEL WITH PLATE & NUT	L
12	36845115	18660	2	DAMPER	L
13	2211291	18552	2	NUT	L
14	2645A013	185077	3	ATOMISER AND HOLDER	I
15	0921173	18591	3	WASHER	L
16	33813127	18630	3	SEAL	L
17	33813126	18623	3	SPACER	L
18	2216108	185039	6	STUD	L
19	3558X013	185026	1	PIPE	L
20	3218R039	18559	1	BOLT (0095315)	L
21	2411D007	18597	6	WASHER (0921176)	L
22	335500000	183134	2	BOLT (0201526)	L
23	K134AF01	185067	1	WASHER	L
24	3662K002	183044	3	CLAMP	L
25	3331R002	185066	1	NUT	L
26	4184A009	185024	1	ASSY. FUEL PIPE	L
27	3521E022	N/A	1	FUEL PIPE	L
28	3521E023	N/A	1	FUEL PIPE	L
29	3521E024	N/A	1	FUEL PIPE	L



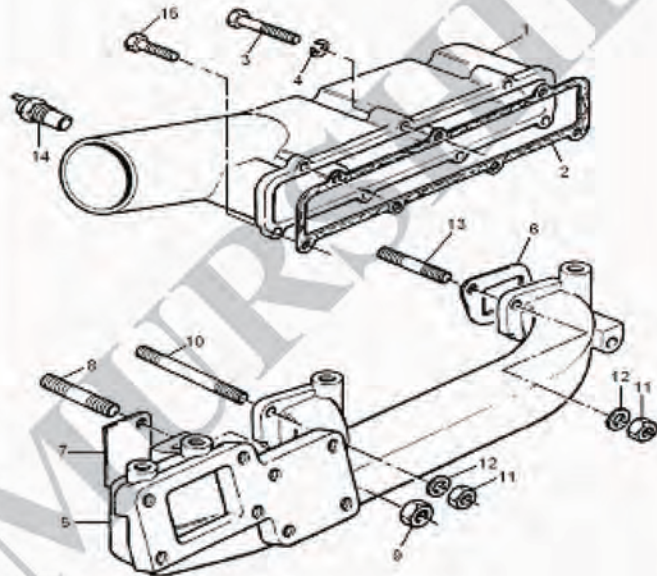
<u>ITEM</u>	<u>CKD</u>	<u>LocalPartNo</u>	<u>QTY</u>	<u>Description</u>	<u>Source</u>
1	3773H211	185014	1	HEAD	L
2	36813161	18007	1	JOINT CYLBLK L/O FLTR-HD(0490514)	L
3	0096443	18535	2	SCREW	L
4	33115129	18564	2	WASHER	L
5	2654408	18062	1	FILTER LUB OIL LHS	L
6	33556116	185048	1	CONNECTION	L
7	2415B363	185047	1	SEALING RING	L
8	4138A022	185046	1	ADAPTOR	L
9	2411162	185084	1	WASHER ALUMINIUM	L
10	3822709M91	185053	1	OIL COOLER RETURN PIPE	L
11	3822708M91	185052	1	OIL COOLER FEED PIPE	L
12	N/A	185050	2	CONNECTOR LUB OIL ADAPTOR	L
13	0206008	185045	1	CONNECTION	L

WATER PUMP & THERMOSTAT HOUSING

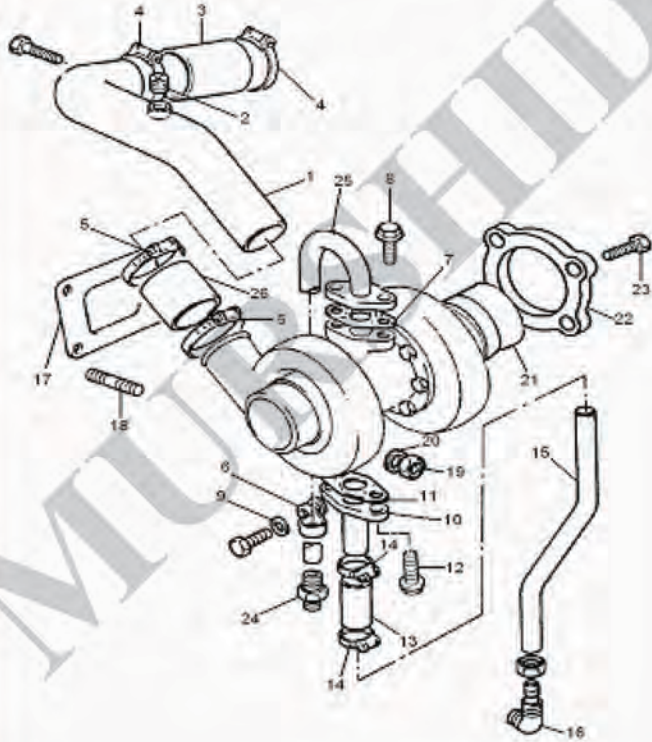
MF260



<u>ITEM</u>	<u>CKD</u>	<u>LocalPartNo</u>	<u>QTY</u>	<u>Description</u>	<u>Source</u>
1	41312992	18500	1	WATER PUMP ASSY	B
2	32346	18073	1	BEARING	I
3	2418M006	18072	1	SEAL	I
4	36861118	18004	1	JOINT BACK PLATE TO W/PUMP(0490484)	L
5	2232133	18074	1	SCREW	L
6	0920053	18583	9	WASHER	L
7	0650586	18592	1	PLUG	L
8	3623H004	18172	1	PLATE WATER PUMP BACKPLATE	L
9	37766364	185015	1	HOUSING	L
10	3685A005	18003	1	JOINT THMT HSG TO CYL HEAD(0490482)	L
11	2485666	18638	1	THERMOSTAT	I
12	2183205	18506	5	BOLT	L
13	0096437	18533	1	SCREW	L
14	0920054	18584	2	WASHER	L
15	0202016	18053	1	HOSE BY PASS CONN- W/PUMP BDY	L
16	0180066	18632	2	CLIP	L
17	3765T011	185004	1	CONNECTION	L
18	3686J003	18006	1	JOINT CYL BLK/W-INLET CONNECT	L
19	0200009	185030	1	HOSE	L
20	0180067	18633	2	CLIP	L
21	37447194	N/A	1	IMPELLER	L



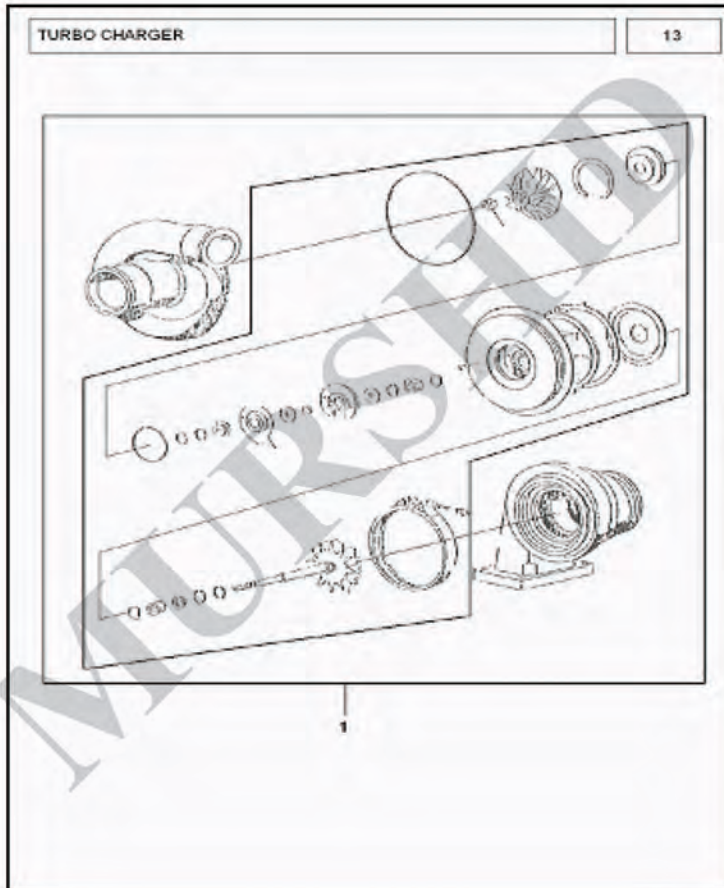
<u>ITEM</u>	<u>CKD</u>	<u>LocalPartNo</u>	<u>QTY</u>	<u>Description</u>	<u>Source</u>
1	3777C041	185010	1	MANIFOLD	L
2	3681V011	185092	1	JOINT	L
3	2184415	185068	6	SCREW	L
4	0920052	18582	6	WASHER	L
5	3778C003	185016	1	MANIFOLD	L
6	3688C009	185086	2	JOINT	L
7	3688A005	185070	1	SPACER	L
8	32521111	185044	2	STUD	L
9	2188135	185106	2	NUT	L
10	32516111	185043	1	STUD	L
11	2188134	18624	5	NUT	L
12	0920003	18567	4	WASHER	L
13	32514112	185042	3	STUD	L
14	2666108	18161	1	HEATER IND MANIFOLD	L
15	0746019	18508	5	SCREW	L



ITEM	CKD	LocalPartNo	QTY	Description	Source
1	3763F002	185008	1	PIPE	L
2	32114451	185101	1	PLUG	L
3	33824122	185028	1	HOSE	L
4	0180070	185071	2	CLIP	L
5	0180069	183075	2	CLIP	L
6	3665K003	185111	1	CLIP	L
7	36832138	185035	1	JOINT	L
8	2314H002	183141	2	SCREW	L
9	0920003	18567	1	WASHER	L
10	3571M002	185032	1	PIPE	L
11	3683D006	185034	1	JOINT	L
12	2314H003	183142	2	SCREW	L
13	3383A023	185029	1	HOSE (OLD PART NO. 33853123)	L
14	2481877	183074	2	CLIP	L
15	3427N001	185033	1	PIPE	L
16	2441323	185038	1	ELBOW	L
17	36885008	185040	1	JOINT	L
18	0826403	18578	4	STUD	L
19	2188135	185106	4	NUT	L
20	0920004	18568	4	WASHER	L
21	3344M401	185017	1	ADAPTOR	L
22	3743E022	185011	1	ADAPTOR	L
23	2314H004	183143	4	SCREW	L
24	354472X1	185049	1	CONNECTOR TURBO FEED PIPE	L
25	3822710M91	185031	1	TURBOCHARGER LUB OIL FEED PIPE	L
26	3383060	185027	1	HOSE	L

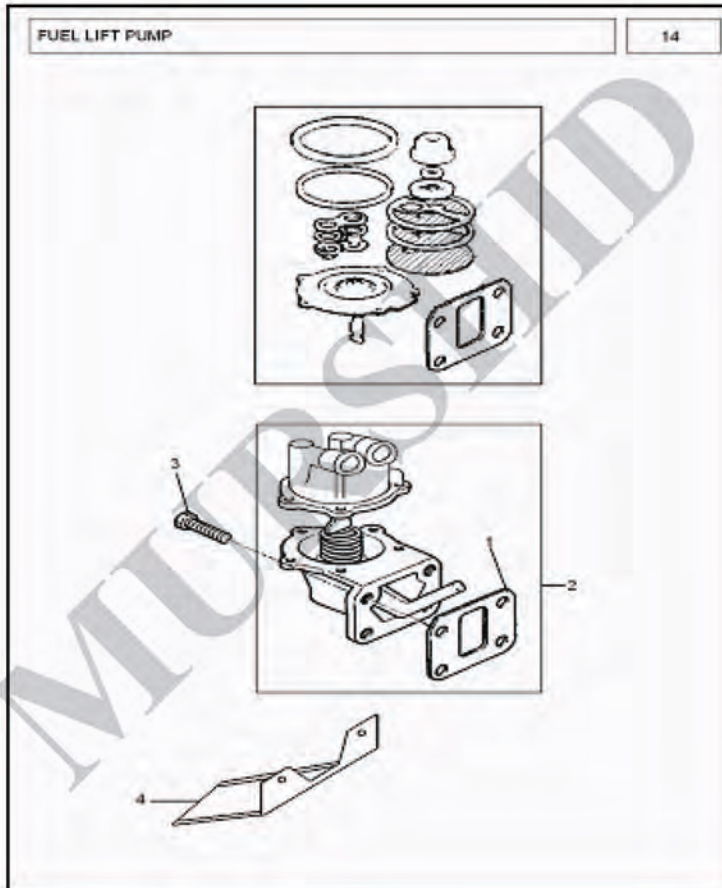
TURBOCHARGER

MF260



<u>ITEM</u>	<u>CKD</u>	<u>LocalPartNo</u>	<u>QTY</u>	<u>Description</u>	<u>Source</u>
1	2674A152	185075	1	TURBOCHARGER	1



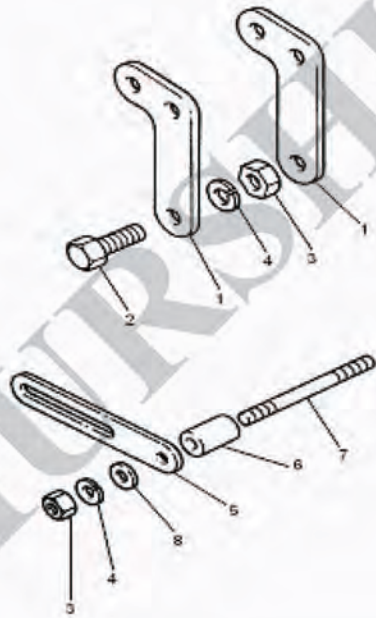
FUEL LIFT PUMP**MF260**

<u>ITEM</u>	<u>CKD</u>	<u>LocalPartNo</u>	<u>QTY</u>	<u>Description</u>	<u>Source</u>
1	2641808	18222	1	LIFT PUMP	L
2	3685A026	18060	1	JOINT (36851123)	L
3	2182428	18553	4	SCREW	L
4	1873842M1	19306	1	TRAY FUEL LIFT PUMP	L

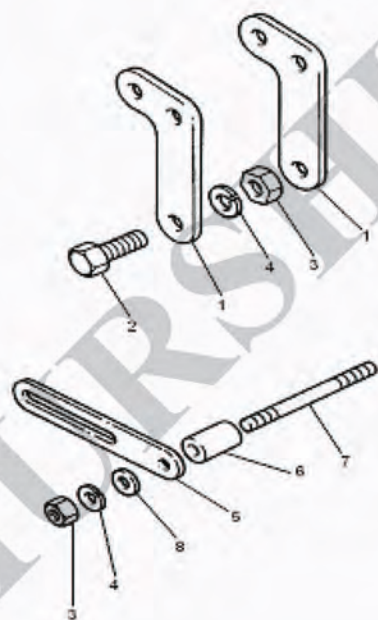
ALTERNATOR BRACKET & LINK**MF260**

ALTERNATOR BRACKET & LINK

15

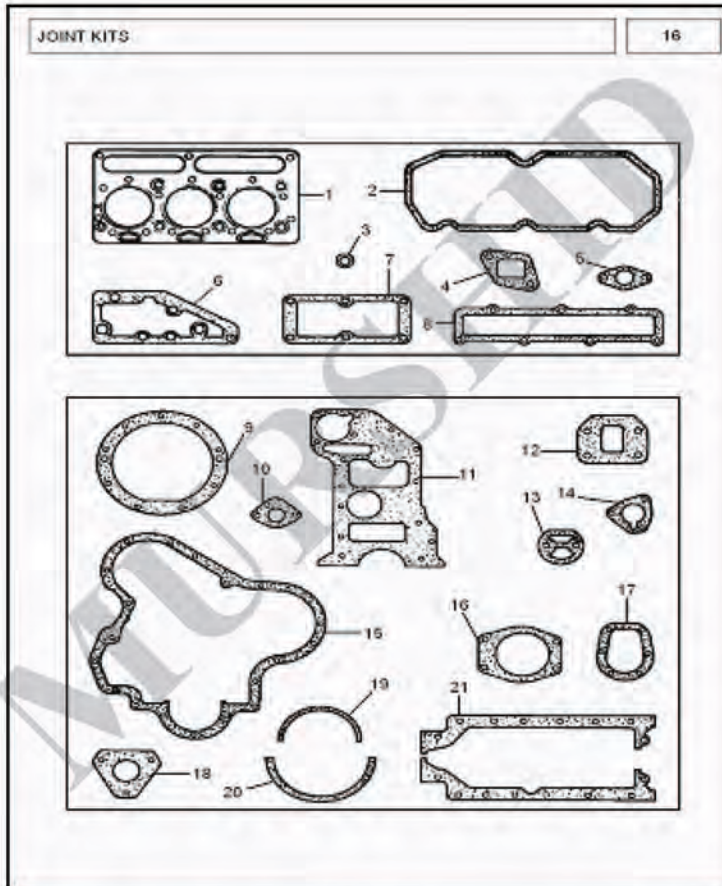


<u>ITEM</u>	<u>CKD</u>	<u>LocalPartNo</u>	<u>QTY</u>	<u>Description</u>	<u>Source</u>
1	37581175	18619	2	BRACKET ALTERNATOR	L
2	0096243	185104	2	SCREW	L
3	0576002	18549	3	NUT	L
4	0920053	18583	3	WASHER	L
5	36178174	18020	1	LINK ALTERNATOR	L
6	33245114	185090	1	SPACER	L
7	2217578	185091	1	STUD	L
8	0920497	185061	1	WASHER	L

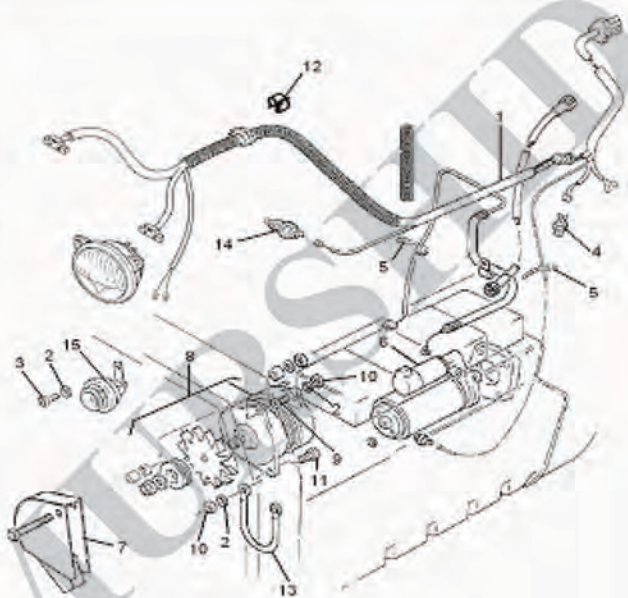


JOINT KITS

MF260



<u>ITEM</u>	<u>CKD</u>	<u>LocalPartNo</u>	<u>QTY</u>	<u>Description</u>	<u>Source</u>
1	3681E024	185074	1	GASKET CYLINDER HEAD	L
2	36811115	18025	1	JOINT CYL HD COVER TO CYL HEAD	L
3	0921173	18591	3	WASHER	L
4	3688C009	185086	2	JOINT	L
5	36834169	18603	1	JOINT	L
6	3685A005	18003	1	JOINT THMT HSG TO CYL HEAD(0490482)	L
7	36851416	18602	1	JOINT	L
8	3681V011	185092	1	JOINT	L
9	33826115	18600	1	JOINT	L
10	3686J003	18006	1	JOINT CYL BLK/W-INLET CONNECT	L
11	36814161	18026	1	JOINT CYL BLOCK TMGCASE(36814119)	L
12	3685A026	18060	1	JOINT (36851123)	L
13	36813161	18007	1	JOINT CYLBLK L/O FLTR-HD(0490514)	L
14	36862511	18200	2	JOINT TACH DRIVE HSG	L
15	36813158	18014	1	JOINT FRONT COVER TMGCASE(36813136)	L
16	36861118	18004	1	JOINT BACK PLATE TO W/PUMP(0490484)	L
17	36862572	18024	1	JOINT FRONT COVER TO BLNK PLT	L
18	3682A008	183069	1	JOINT	L
19	3688V003	18504	1	JOINT	L
20	3688V002	18505	1	JOINT	L
21	41424233	18038	2	JOINT SUMP TO BLOCK ASSY	L

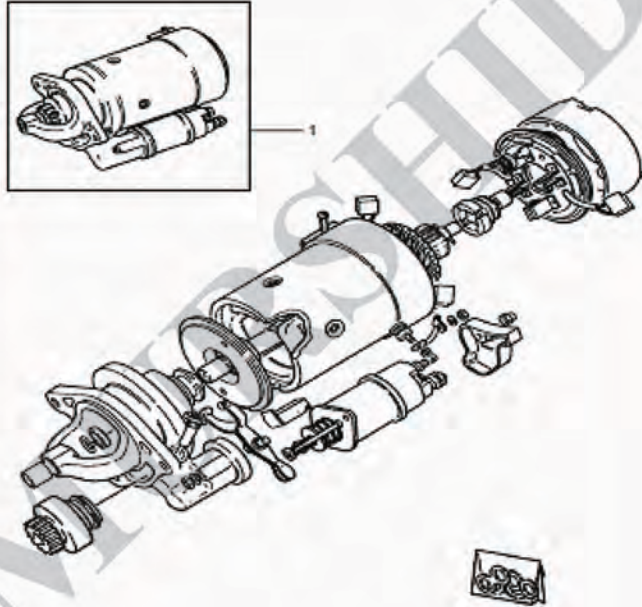


<u>ITEM</u>	<u>CKD</u>	<u>LocalPartNo</u>	<u>QTY</u>	<u>Description</u>	<u>Source</u>
1	3599810M91	24052	1	MAIN HARNESS	L
2	390972X1	163052	4	WASHER FLAT M8	L
3	339124X1	163070	1	SCREW M8X16MM	L
4	3761983M91	12131	1	ASSY SWITCH	L
5	1670082M1	24064	2	STRAP	L
6	3597426M3	24001	1	STARTER MOTOR 2 M 113	L
7	1872714M93	39013	1	GAURD ALTERNATOR	L
8	63395576	24061	1	ALTERNATOR & PULLEY	L
9	339011X1	303025	2	BOLT M8 X 45MM	L
10	339169X1	163033	4	NUT M8	L
11	339337X1	25310	1	BOLT M-8 X 30	L
12	3598904M1	34030	2	CLIP	L
13	3697891M91	353105	1	FRONT HARNESS EARTH	L
14	1877731M92	29003	1	ASSY TRANSMITTER TEMP	L
15	1678404M1	24008	1	HORN	L

STARTER MOTER**MF260**

STARTER MOTOR

18



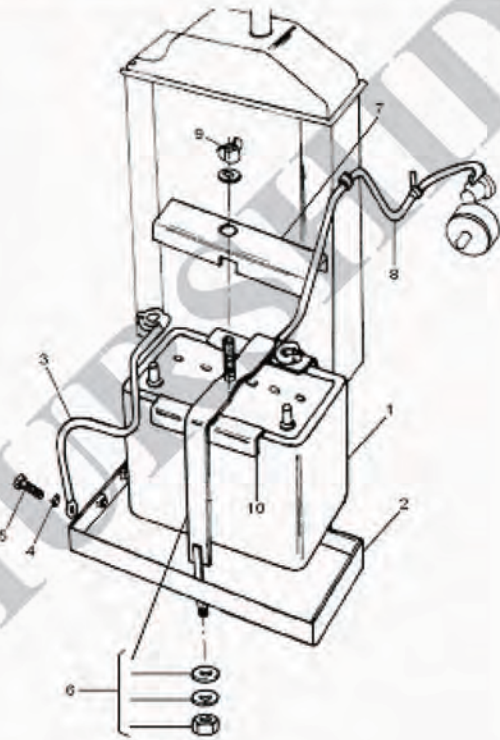
<u>ITEM</u>	<u>CKD</u>	<u>LocalPartNo</u>	<u>QTY</u>	<u>Description</u>	<u>Source</u>
1	3597426M3	24001	1	STARTER MOTOR 2 M 113	L



BATTERY & CABLES**MF260**

BATTERY & CABLE

19

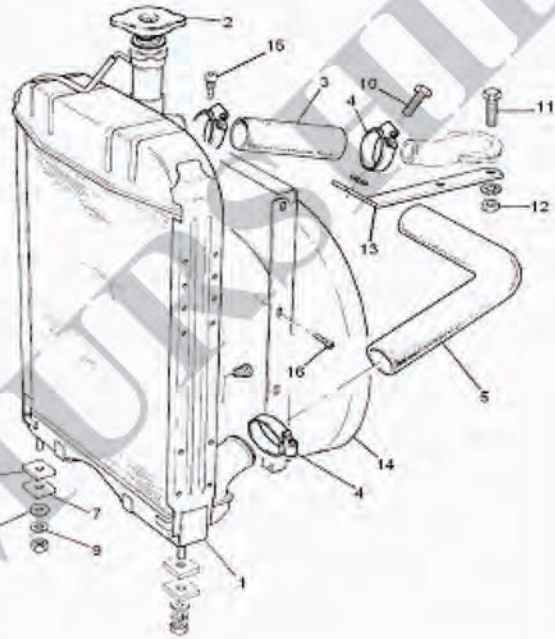


<u>ITEM</u>	<u>CKD</u>	<u>LocalPartNo</u>	<u>QTY</u>	<u>Description</u>	<u>Source</u>
1	3597859M1	31001	1	BATTERY DRY N.D.	L
2	3759275P91	23102	1	BATTERY BOX	L
3	1678610M91	31019	1	CABLE NEGATIVE	L
4	22465X	34172	1	WASHER 7/16	L
5	353696X1	313061	1	SCREW 7 /16 - 14	L
6	3759201M91	31024	1	ASSY BATT. RETAINER	L
7	3700879P3	31026	1	COVER BATTERY CELL	L
8	1688835M93	31018	1	CABLE POSITIVE	L
9	355582X1	31007	1	WING NUT 1/4 - 28	L
10	1876229M1	31028	2	STRAP	L

COOLING SYSTEM**MF260**

COOLING SYSTEM

20

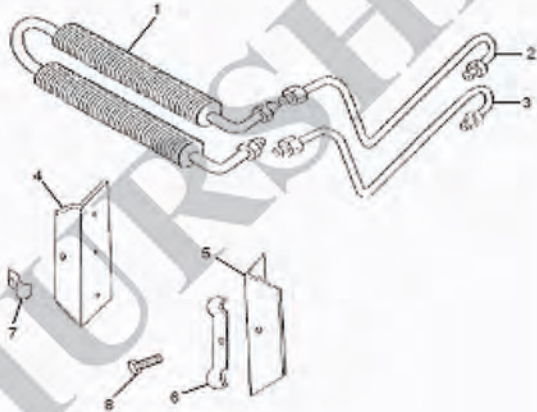


<u>ITEM</u>	<u>CKD</u>	<u>LocalPartNo</u>	<u>QTY</u>	<u>Description</u>	<u>Source</u>
1	N/A	215004	1	ASSY. RADIATOR WITH CAP	L
2	180224M92	213002	1	ASSY CAP RADIATOR	L
3	1869514M1	21012	1	HOSE TOP	L
4	338616X1	21058	2	HOSE CLIP	L
5	1860374M2	215001	1	HOSE BOTTOM	L
6	1660611M1	21004	2	WASHER	L
7	180705M1	21005	2	PACKING	L
8	353772X1	22006	2	WASHER HARDENED 7/16	L
9	376721X1	10268	2	WASHER 7/16	L
10	353516X1	193141	1	SCREW 5/16 24X5/8	L
11	353679X1	21020	1	BOLT 5/16-18 X 1	L
12	355565X1	21056	1	NUT 5/16-18	L
13	1676354P1	21055	1	BRACE SUPPORT	L
14	883938M4	21009	1	ASSY SHROUD	L
15	180673M1	21011	1	DAMPER	L
16	0746257	21010	11	SCREW SELF TAPPING	L

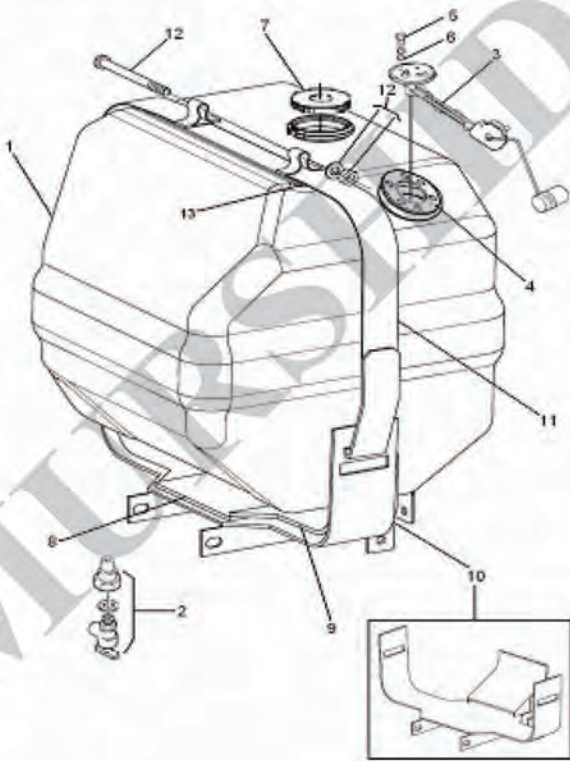
OIL COOLER**MF260**

OIL COOLER

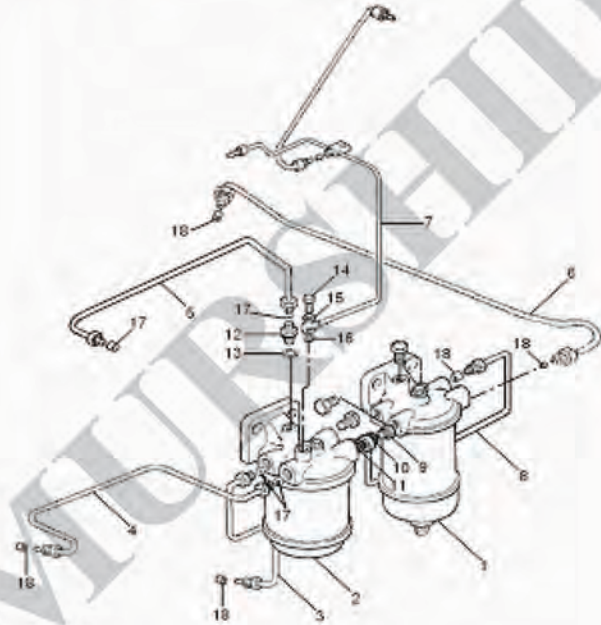
21



<u>ITEM</u>	<u>CKD</u>	<u>LocalPartNo</u>	<u>QTY</u>	<u>Description</u>	<u>Source</u>
1	3822719M91	185054	1	OIL COOLER ASSY.	L
2	3822709M91	185053	1	OIL COOLER RETURN PIPE	L
3	3822708M91	185052	1	OIL COOLER FEED PIPE	L
4	N/A	185079	1	BRACKET COOLER RH	L
5	N/A	185078	1	BRACKET COOLER LH	L
6	N/A	185080	1	CLAMP COOLER LH	L
7	N/A	185081	1	CLAMP COOLER RH	L
8	339124X1	163070	2	SCREW M8X16MM	L



ITEM	CKD	LocalPartNo	QTY	Description	Source
1	1672762M93	19304	1	ASSY TANK FUEL	L
2	1694985M92	19002	1	FUEL-TAP	L
3	1661794M92	19076	1	ASSY SENDING UNIT	L
4	1674250M1	19004	1	GASKET	L
5	1699765M1	19317	6	SCREW M4 L. 12	L
6	377748X1	19314	6	FIBRE WASHER ID 4.83/4.57 OD9.5	L
7	1876534M91	19018	1	ASSY CAP FUEL TANK	L
8	N/A	19081	1	CARPET	L
9	N/A	19082	2	CARPET PIECE	L
10	1866654P91	23093	1	BRACKET FUEL TANK	L
11	N/A	23099	2	HOLDING BRACKET LH/RH	L
12	N/A	19077	1	KIT BOLT,NUT,WASHER	L
13	N/A	19072	1	STRIP FUEL TANK	L

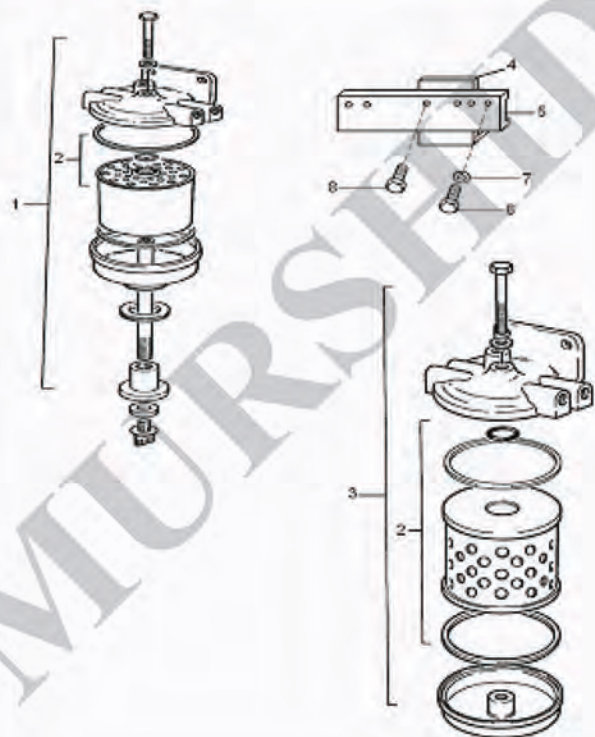


ITEM	CKD	LocalPartNo	QTY	Description	Source
1	883786M91	19019	1	ASSY FILTER/AGGLOMERATOR W PRIMARY	L
2	886373M91	19078	1	FUEL FILTER SECONDARY	L
3	888482M91	195003	1	PIPE SECONDARY FILTER TO F.I.PUMP	L
4	888490M91	195004	1	RET.PIPE F.I.PUMP - SCNDRY. FIL.	L
5	884473M93	195005	1	RET.PIPE LEAK OF RAIL-SNDRY.FIL.	L
6	888488M93	195001	1	PIPE LIFT PUMP TO PRIMARY FILTER	L
7	884473M93	19084	1	RET. PIPE LEAK OFF RAIL-FUEL TNK	L
8	888484M91	19068	1	PIPE FILTER TO FILTER	L
9	731803M1	19311	1	BOLT 1/2 UNF - 2Ax20 TPI	L
10	339525X1	19064	1	SEALING RING	L
11	880961M1	19063	1	WASHR ID13.1/12.7 OD19.0/18.8	L
12	735992M1	193083	1	ADAPTOR FUEL FILTER	L
13	391032X1	19316	1	SEALING RING	L
14	731352M1	19310	1	BANJO BOLT M10x1.5	L
15	731353M1	19315	1	WASHER FIBRE I/D13/32 O/D19/32	L
16	377748X1	19314	1	FIBRE WASHER ID 4.83/4.57 OD9.5	L
17	376524X1	19061	5	OLIVE	L
18	376525X1	19062	5	OLIVE	L

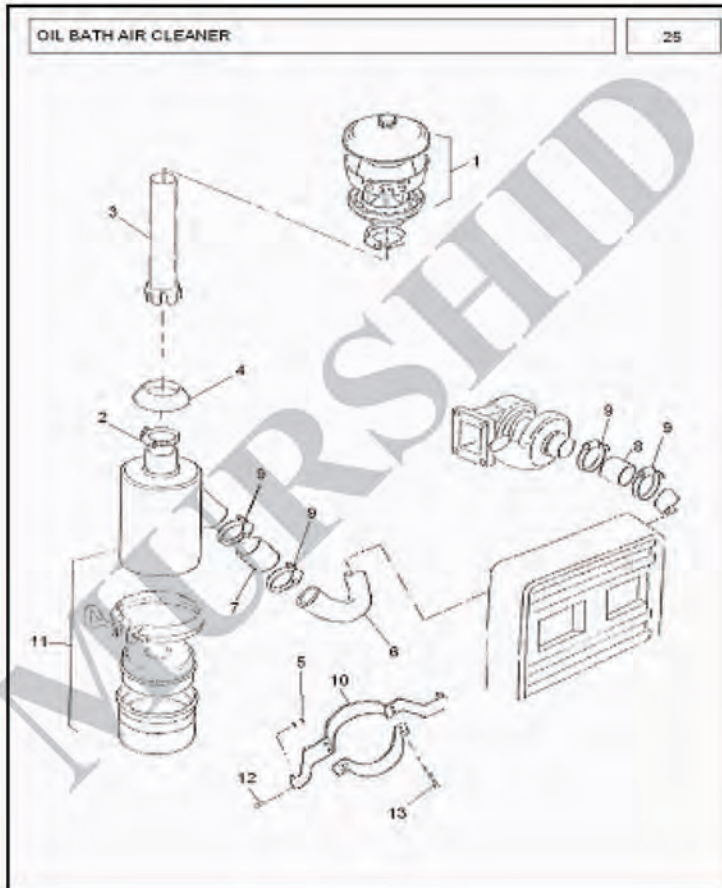
FUEL FILTERS**MF260**

FUEL FILTERS

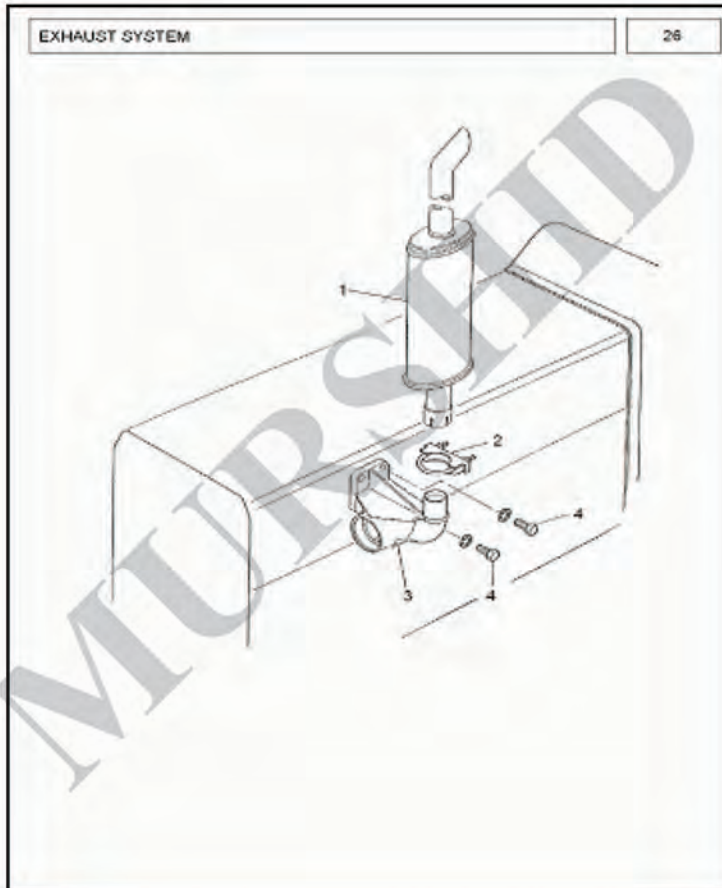
24



<u>ITEM</u>	<u>CKD</u>	<u>LocalPartNo</u>	<u>QTY</u>	<u>Description</u>	<u>Source</u>
1	883786M91	19019	1	ASSY FILTER/AGGLOMERATOR W	L
2	26561117	19021	1	ELEMENT	L
3	886373M91	19078	1	FUEL FILTER SECONDARY	L
4	N/A	195006	1	BRACKET FILTER CYLINDER BLOCK	L
5	N/A	195007	1	ASSY BRACKET FF	L
6	361488X1	19309	4	SCREW 3/8 - 24 L. 1	L
7	353434X1	10075	4	WASHER LOCK 3/8"	L
8	363316X1	99011	2	BOLT UNC 3/8 X 1	L

OIL BATH & AIR CLEANER**MF260**

<u>ITEM</u>	<u>CKD</u>	<u>LocalPartNo</u>	<u>QTY</u>	<u>Description</u>	<u>Source</u>
1	3761802M2	455008	1	PRE CLEANER	L
2	376831X1	99019	2	HOSE CLAMP	L
3	N/A	455003	1	PIPE PRE CLEANER	L
4	1683302M1	45013	1	COLLAR	L
5	339169X1	163033	4	NUT M8	L
6	N/A	455006	1	PIPE AIR CLEANER STEEL	L
7	N/A	455005	1	HOSE AIR CLEANER TOP	L
8	N/A	455007	1	HOSE AIR CLEANER BOTTOM	L
9	338618X1	45076	4	HOSE CLIP	L
10	N/A	455004	1	CLAMP OIL BATH AIR CLEANER	L
11	883914P93	45008	1	OIL BATH AIR CLEANER (GEN SET)	L
12	339123X1	25303	4	BOLT M-8 X 20 (339123X1)	L
13	339124X1	163070	4	SCREW M8X16MM	L

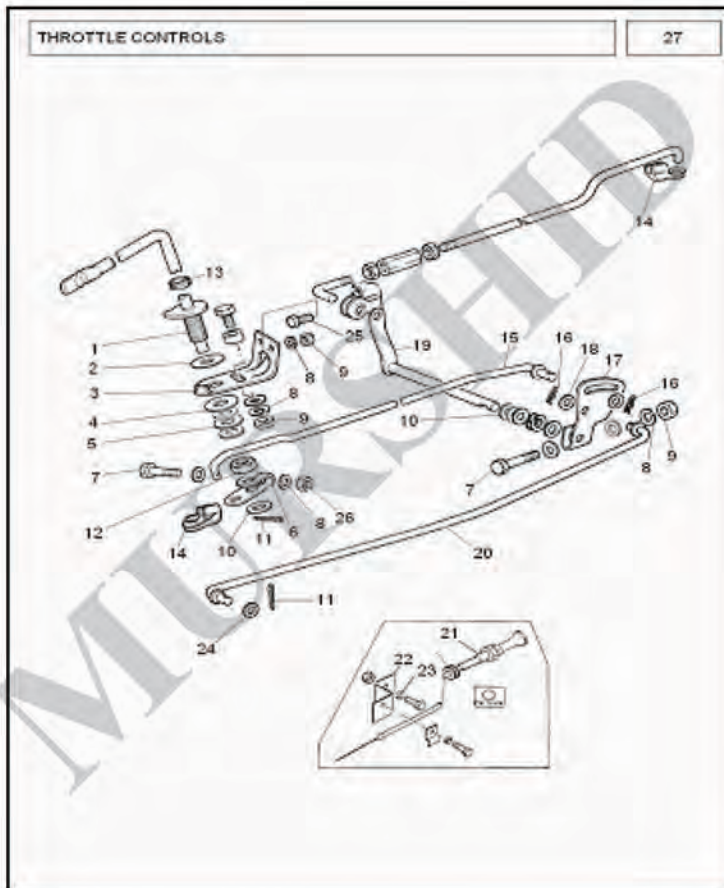
EXHAUST SYSTEM**MF260**

<u>ITEM</u>	<u>CKD</u>	<u>LocalPartNo</u>	<u>QTY</u>	<u>Description</u>	<u>Source</u>
1	3772137M1	205001	1	SILENCER	L
2	3599710M91	203020	1	CLAMP	L
3	3821913M1	205002	1	ELBOW VERTICLE EXAUST	L
4	353538X1	50019	2	SCREW 3/8 -24 X1	L



THROTTLE CONTROLS

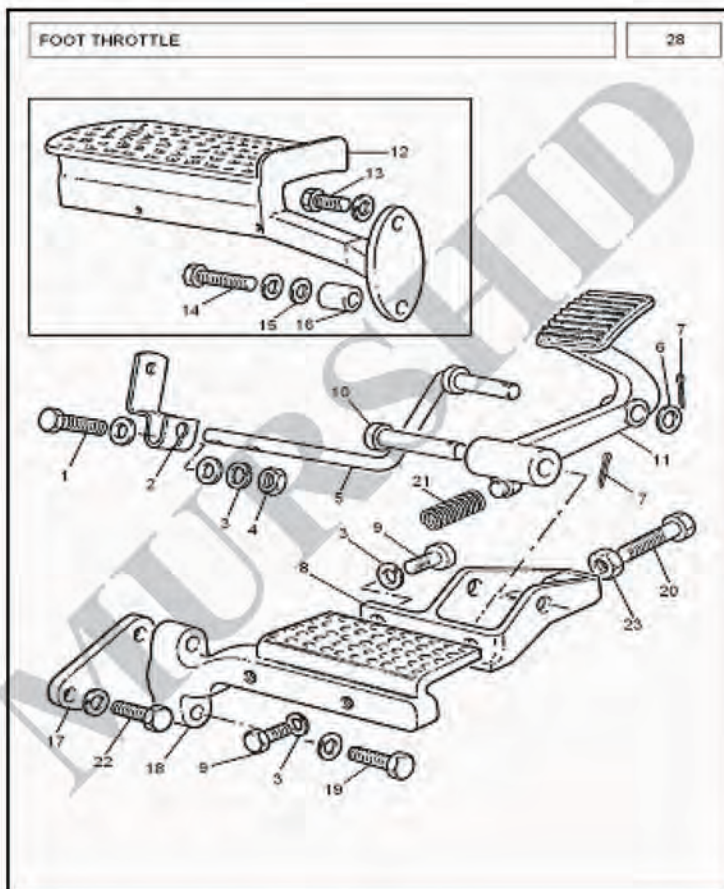
MF260



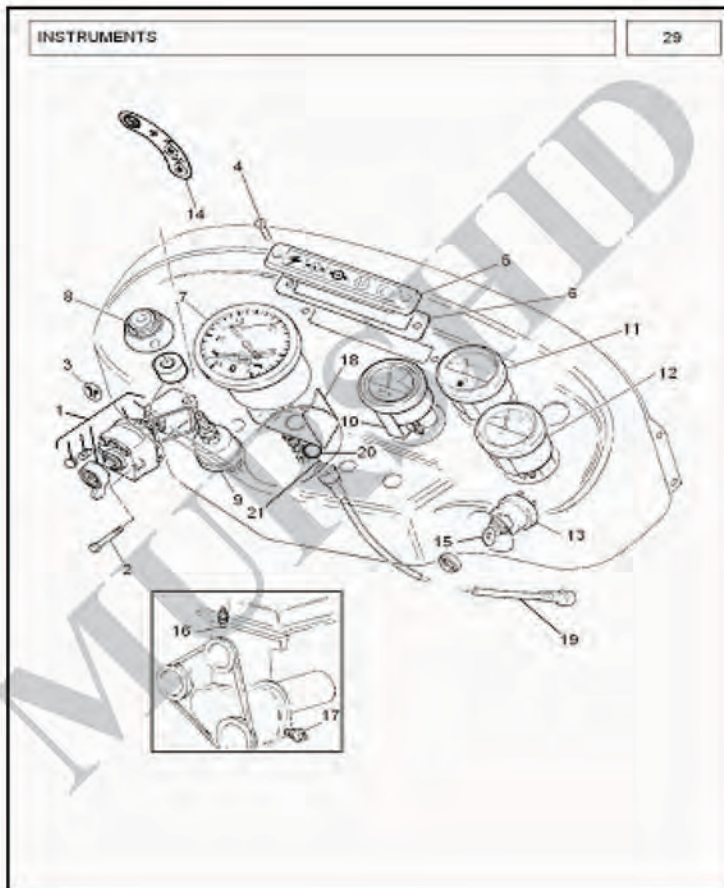
<u>ITEM</u>	<u>CKD</u>	<u>LocalPartNo</u>	<u>QTY</u>	<u>Description</u>	<u>Source</u>
1	1861552M91	13013	1	ASSY LEVER STOP PLATE	L
2	1693890M1	13016	1	FRICTION WASHER	L
3	1861554P1	13090	1	BRACKET	L
4	880713M1	13018	1	WASHER SPECIAL	L
5	880712M1	13019	3	WASHER BELLEVILLE	L
6	828019M2	13021	1	LEVER-THROTTLE CONTROL	L
7	353507X1	13022	2	BOLT 1/4-28 X 1.1/4	L
8	353441X1	13084	3	WASHER 1/4	L
9	353918X1	13025	3	NUT 1/4-28	L
10	353756X1	11006	3	WASHER FLAT 3/8	L
11	354048X1	13071	2	PIN COTTER	L
12	884737M1	13098	1	LOCK NUT	L
13	1875716M2	13015	1	GROMMET	L
14	894225M1	13104	2	CLIP LINKAGE	L
15	897633M2	13094	1	ROD THROTTLE CONTROL RH	L
16	376804X1	13070	2	CLIP	L
17	897467M1	13036	1	LEVER QUARANT CROSS SHAFT	L
18	375252X1	13105	1	WASHR LOCK ID 0.39 OD 0.67 T0.046	L
19	890278M91	13092	1	ASSY CROSS SHAFT	L
20	897466M91	13095	1	ROD FOOT THROTTLE	L
21	1675030M2	13096	1	CABLE FUEL CUT OFF	L
22	899024M1	19079	1	BRACKET FUEL CUT OFF	L
23	376721X1	10268	1	WASHER 7/16	L
24	376803X1	13069	1	WASHER	L
25	362477X1	13076	2	SCREW 7/16-14 X 1.1/4	L
26	363619X1	13012	1	NUT 1/4-28	L

FOOT THROTTLE

MF260



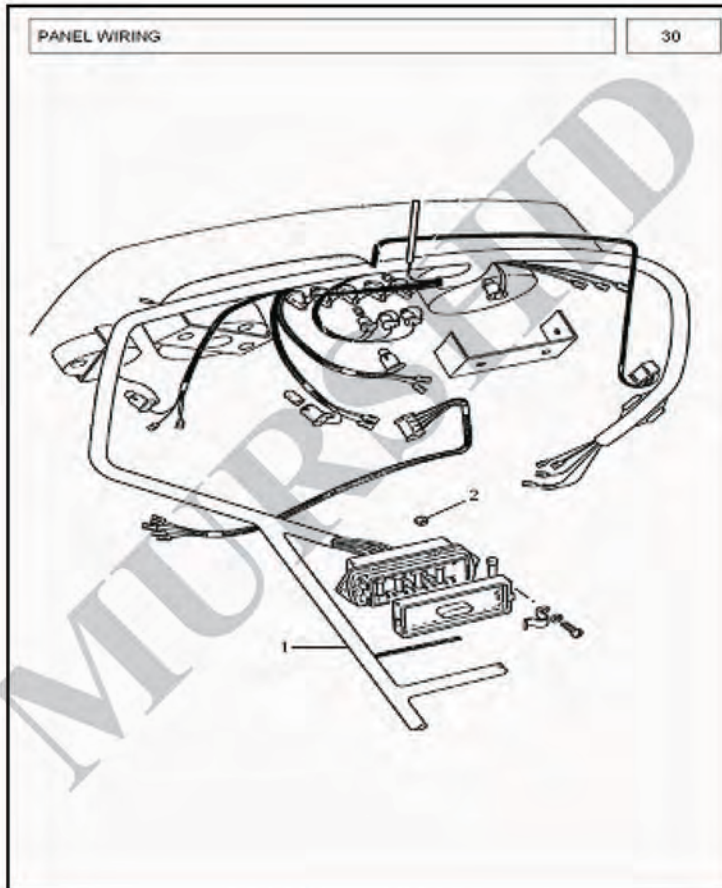
<u>ITEM</u>	<u>CKD</u>	<u>LocalPartNo</u>	<u>QTY</u>	<u>Description</u>	<u>Source</u>
1	353507X1	13022	1	BOLT 1/4-28 X 1.1/4	L
2	897469M91	13063	1	ASSY LEVER RELAY	L
3	353441X1	13084	5	WASHER 1/4	L
4	353918X1	13025	1	NUT 1/4-28	L
5	893470M91	13060	1	ASSY. SHAFT RELAY	L
6	353755X1	34015	1	WASHER 5/16	L
7	354048X1	13071	2	PIN COTTER	L
8	1866841M1	13053	1	SUPPORT FOOT THROTTLE	L
9	353502X2	23034	4	SCREW 1/4 -28 X 3/4	L
10	195610M1	13055	1	PIN-CLEVIS 3/8	L
11	897547M1	13054	1	PEDAL THROTTLE	L
12	1672928M5	13074	1	FOOT REST LH	L
13	377883X1	13086	2	BOLT 7/16 - 14 UNC - 2A L. 1	L
14	362495X1	13080	1	BOLT 7/16-14X2-5/8	L
15	353757X1	13082	1	WASHER-FLAT 7/16	L
16	888320M1	13083	1	SPACER	L
17	180870M1	13075	1	PLATE-SPACER	L
18	1860939M2	13079	1	FOOT REST RH	L
19	353700X1	40006	2	BOLT 7/16-14 X 1-1/4	L
20	890066M1	13058	1	BOLT PEDAL STOP	L
21	828656M1	13106	1	SPRING	L
22	362475X1	13077	1	BOLT 7/16 - 14 L. 1.25	L
23	375108X1	13087	1	JAM NUT 5/16 - 18	L

INSTRUMENTS**MF260**

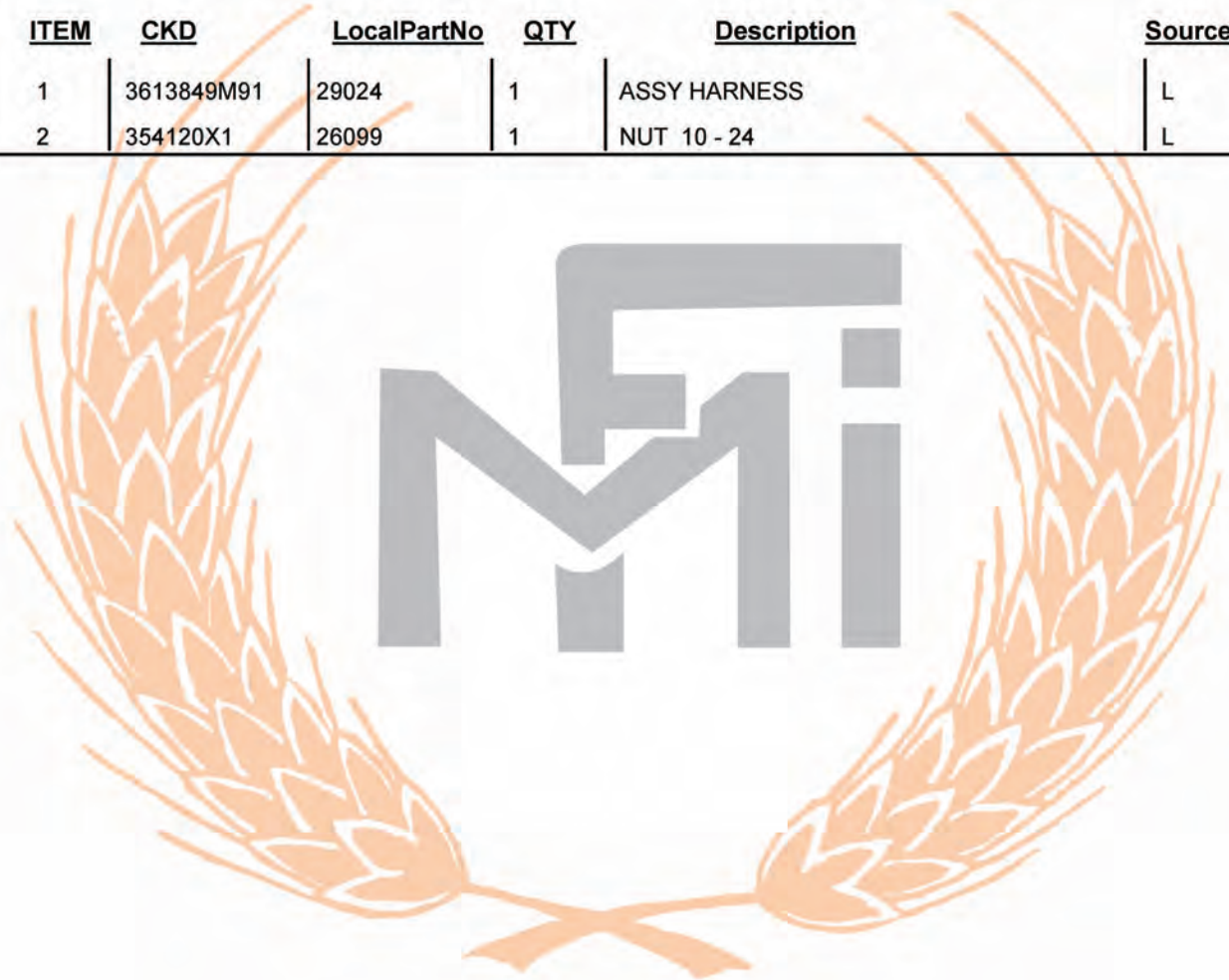
<u>ITEM</u>	<u>CKD</u>	<u>LocalPartNo</u>	<u>QTY</u>	<u>Description</u>	<u>Source</u>
1	1682977M1	29028	1	UNIT BLINKER	L
2	365921X1	29012	2	SELF TAP SCREW 10 - 16	L
3	1875315M1	29025	1	EMBLEM TURN SIGNAL	L
4	377245X1	29043	2	SCREW 10 - 24 UNC - 2A L. 3/4	L
5	1663555M92	29013	1	ASSY LOCUS LAMP HSG	L
6	1669957M1	29014	1	GASKET WARNING LIGHT	L
7	1674638M92	29005	1	TRACTOR METER	L
8	1668830M91	29018	1	KNOB LIGHT SWITCH	L
9	1668816M2	29017	1	LIGHT SWITCH	L
10	1672835M2	29011	1	BATTERY GAUGE	L
12	1877719M92	29009	1	TEMPERATURE GAUGE	L
13	1874535M3	29021	1	ASSY SWITCH HEAT / START	L
13	1877717M92	29010	1	FUEL GAUGE	L
14	3760644M1	29022	1	DECAL IGNITION SWITCH	L
15	1695447M1	29027	2	KEY IGNITION	L
16	1877721M92	29002	1	OIL PRESSURE SWITCH	I
17	1877731M92	29003	1	ASSY TRANSMITTER TEMP	L
18	N/A	29031	1	CLAMP	L
19	1699381M91	29036	1	CABLE SPEED-O-METER	L
20	31718104	29040	2	SEAL	L
21	N/A	29041	2	WIRE	L

PENAL WIRING

MF260



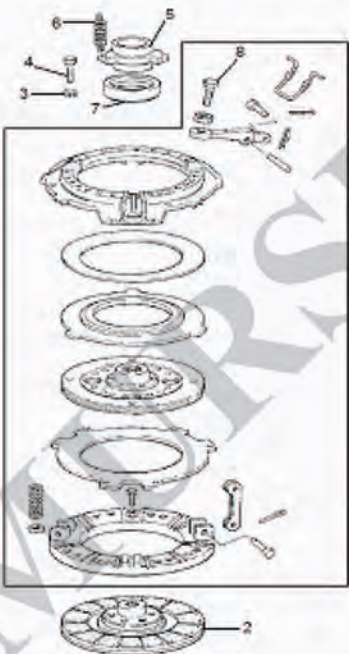
<u>ITEM</u>	<u>CKD</u>	<u>LocalPartNo</u>	<u>QTY</u>	<u>Description</u>	<u>Source</u>
1	3613849M91	29024	1	ASSY HARNESS	L
2	354120X1	26099	1	NUT 10 - 24	L



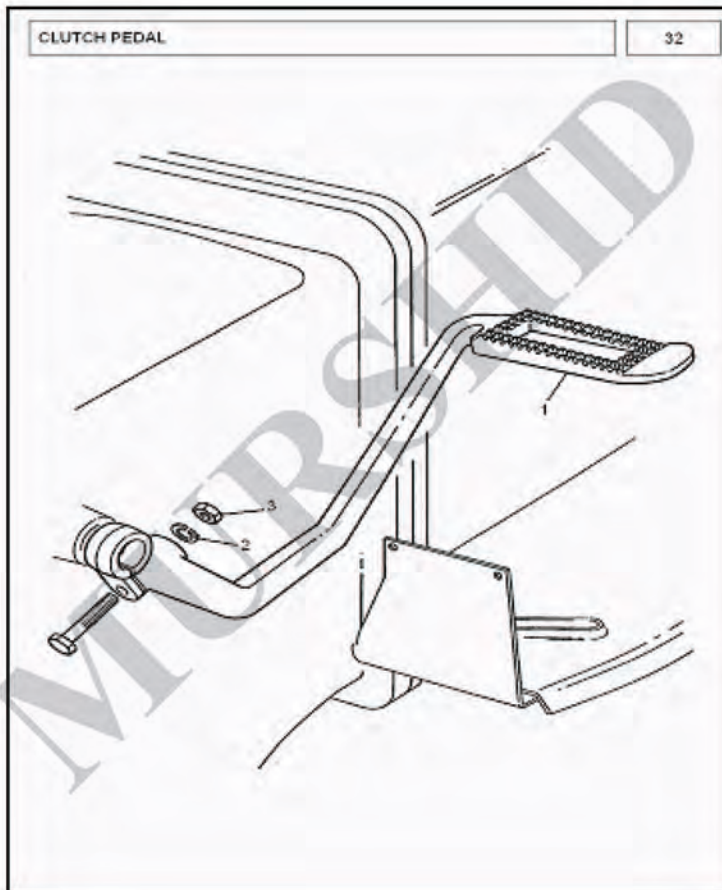
DUAL CLUTCH**MF260**

DUAL CLUTCH

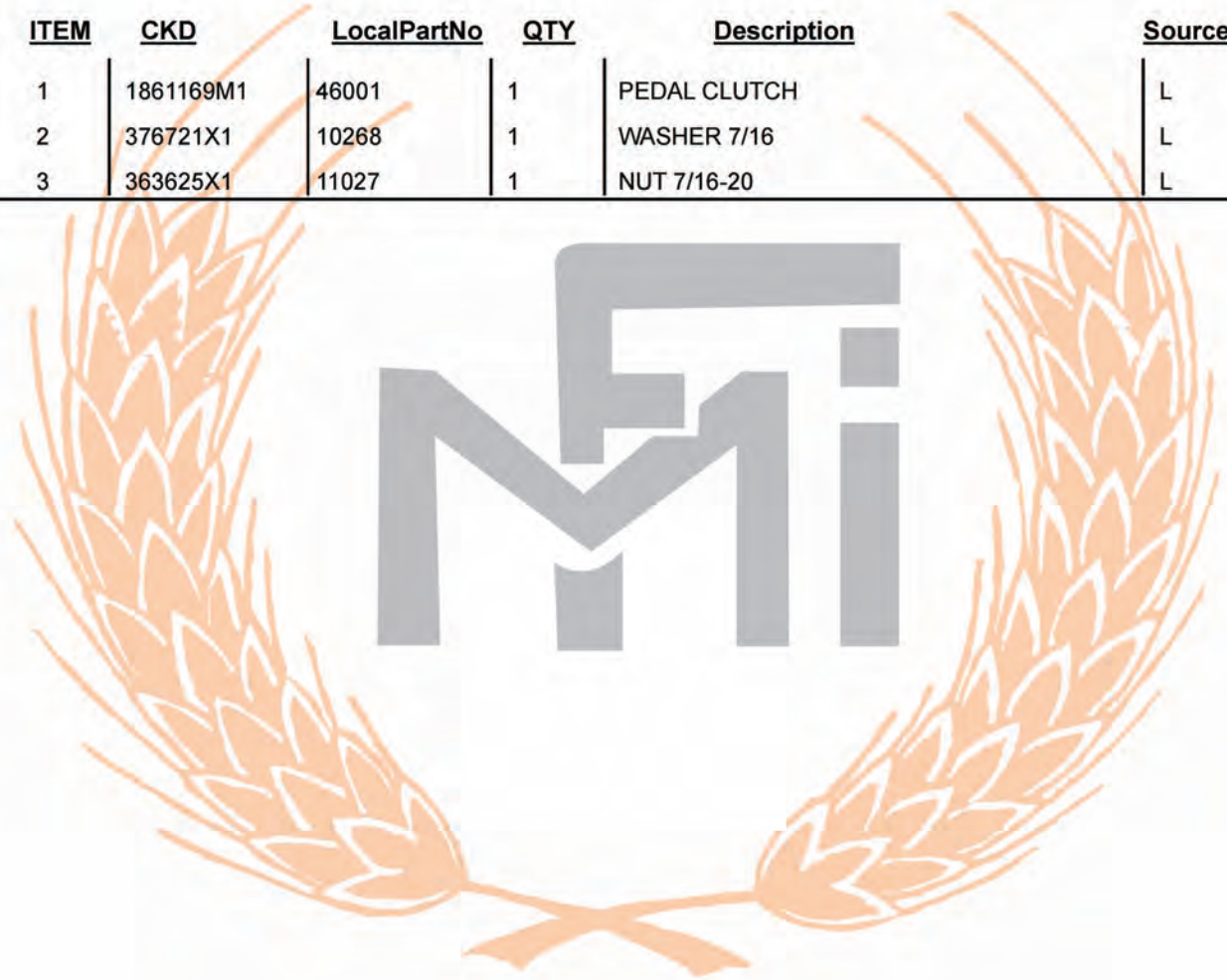
31



<u>ITEM</u>	<u>CKD</u>	<u>LocalPartNo</u>	<u>QTY</u>	<u>Description</u>	<u>Source</u>
1	3599463M92	46040	1	ASSY CLUTCH COVER	L
2	3610274M92	46035	1	ASSY.PLATE DRIVEN	L
3	19752X	46041	6	SPRING WASHER ID 0.319 OD 0.601	L
4	887892M1	46036	6	BOLT 5/16-18 UNC-3 THD. L.1.74	L
5	886727M3	46005	1	CARRIER CLUTCH BEARING REL	L
6	1867690M2	46042	2	SPRING	L
7	892862M3	46043	1	BEARING RELEASE	L
8	361549X1	11025	3	BOLT 7/16 - 20 L. 2.50	L

CLUTCH PEDAL**MF260**

<u>ITEM</u>	<u>CKD</u>	<u>LocalPartNo</u>	<u>QTY</u>	<u>Description</u>	<u>Source</u>
1	1861169M1	46001	1	PEDAL CLUTCH	L
2	376721X1	10268	1	WASHER 7/16	L
3	363625X1	11027	1	NUT 7/16-20	L

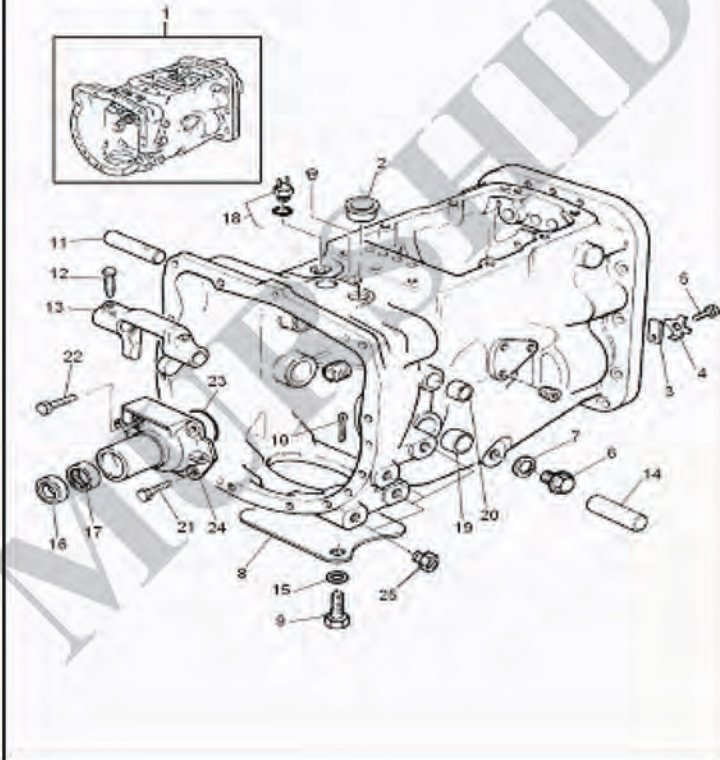


8 SPEED CONSTANT MESH TRANSMISSION

MF260

8 SPEED CONSTANT MESH TRANSMISSION

33



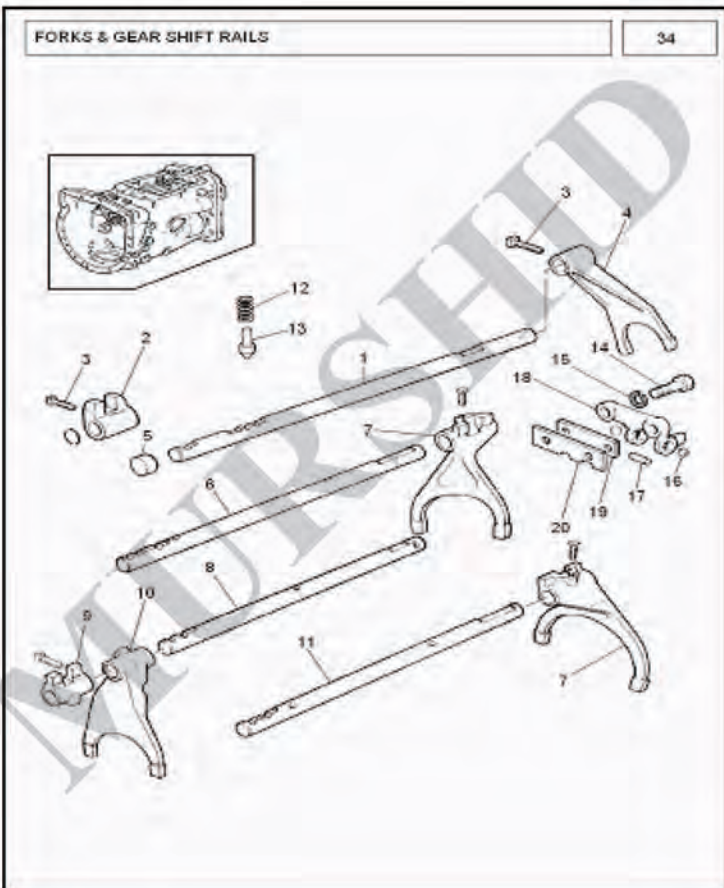
<u>ITEM</u>	<u>CKD</u>	<u>LocalPartNo</u>	<u>QTY</u>	<u>Description</u>	<u>Source</u>
1	3599015M2	12001	1	CASE TRANSMISSION	L
2	894683M1	12125	2	PLUG EXPANDING	L
3	184789M1	12014	1	STOP REV. SHAFT	L
4	828020M1	12171	1	TAB WASHER I/D 10.32 THICK. 1.2	L
5	353690X1	12012	1	SCREW 3/8 - 16X7/8	L
6	884691M1	10269	1	PLUG DRAIN THREAD	L
7	180474M2	105017	1	WASHER ALUMINIUM (ALT. 10270)	L
8	964167M1	12115	1	COVER PLATE BOTTOM	L
9	354441X1	12116	2	BOLT 5/8 - 11 L. 1	L
10	354076X1	12148	1	PIN COTTER	L
11	180449M1	12117	1	SHAFT-CLUTCH RELEASE	L
12	3771408M1	12139	2	SCREW SPECIAL 3/8 - 24 UNF - 3A	L
13	886719M1	12118	1	FORK CLUTCH RELEASE	L
14	180444M2	12122	1	SHAFT-CLUTCH PEDAL	L
15	353433X1	14085	2	WASHER 5/8	L
16	1860867M5	12126	1	OIL SEAL	L
17	886668M1	12158	1	BEARING NEEDLE	I
18	3761983M91	12131	1	ASSY SWITCH	L
19	180801M1	12147	2	BUSH BRAKE SHAFT	L
20	184592M1	12150	2	BUSH CLUTCH SHAFT	L
21	N/A	12062	1	BOLT 3/8 - 16 X 1.7/8	L
22	377477X1	12061	3	SCREW 3/18-16 X 7/8	L
23	886089M1	12165	1	O RING	L
24	1693837M2	12063	1	RETAINER MAIN DRIVE	L
25	N/A	29032	16	PLUG (PLASTIC)	L

FORK & GEAR SHIFTER RAILS

MF260

FORKS & GEAR SHIFT RAILS

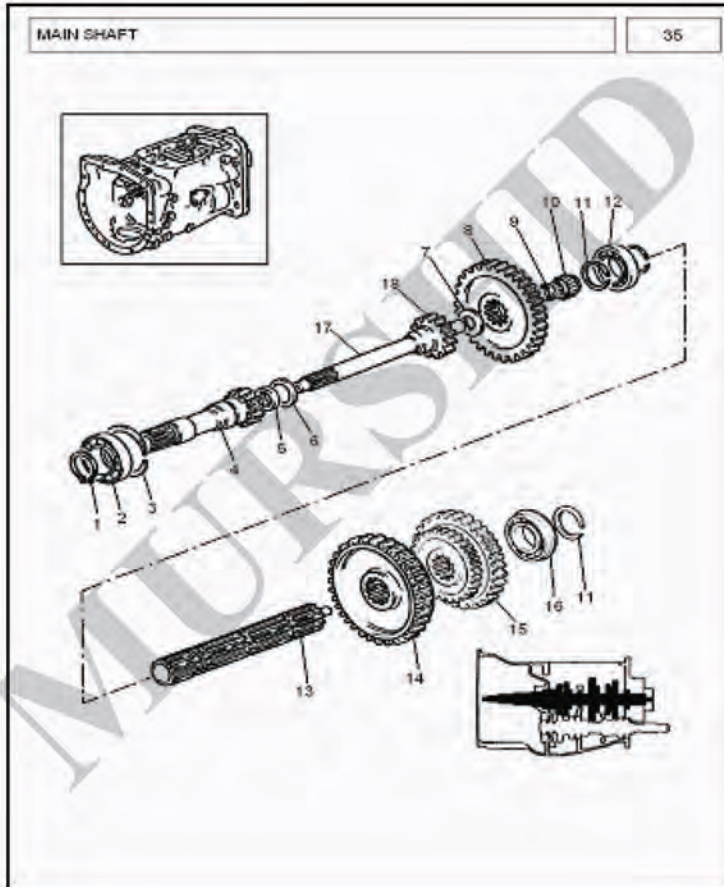
34



<u>ITEM</u>	<u>CKD</u>	<u>LocalPartNo</u>	<u>QTY</u>	<u>Description</u>	<u>Source</u>
1	3697277M1	12076	1	RAIL PLANETARY	L
2	180446M1	12081	1	SELECTOR - PLANET SHIFT	L
3	3771408M1	12139	6	SCREW SPECIAL 3/8 - 24 UNF - 3A	L
4	897065M2	12077	1	FORK PLANETARY	L
5	3614857M1	12127	1	PLUG	L
6	1693812M1	12085	1	RAIL SHIFTER REV. / LOW	L
7	1860773M1	12087	2	FORK SHIFTER	L
8	1693820M2	12092	1	RAIL SHIFT INT/HIGH	L
9	1862868M2	12094	1	SELECTOR	L
10	1693828M1	12093	1	FORK SHIFTER	L
11	1693820M1	12086	1	RAIL SHIAFTER 2ND/3RD	L
12	191221M1	12173	4	SPRING SHIFTER RAIL	L
13	180418M2	12109	4	PLUNGER	L
14	354262X1	12103	2	BOLT 3/8-16 X 1-1/2	L
15	376720X1	12142	2	WASHER LOCK 3/8	L
16	391838X1	12167	2	STEEL BALL	I
17	1860767M1	12101	1	PIN	L
18	1860761M1	12100	1	RETAINER BALL	L
19	1860765M2	12052	1	PIECE PACKING	L
20	1860764M3	12098	1	PLATE STOP	L

MAIN SHAFT

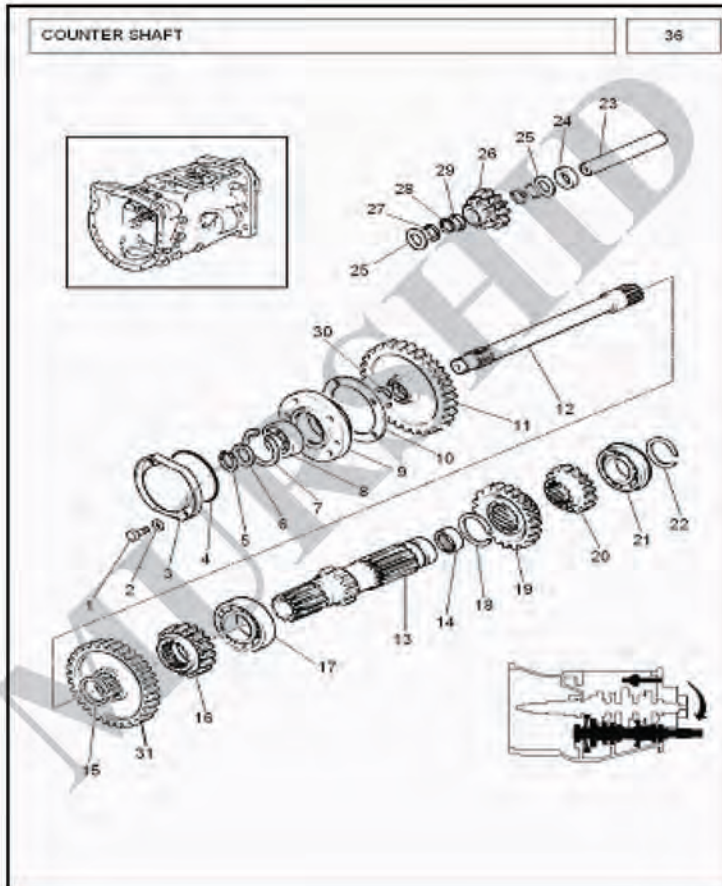
MF260



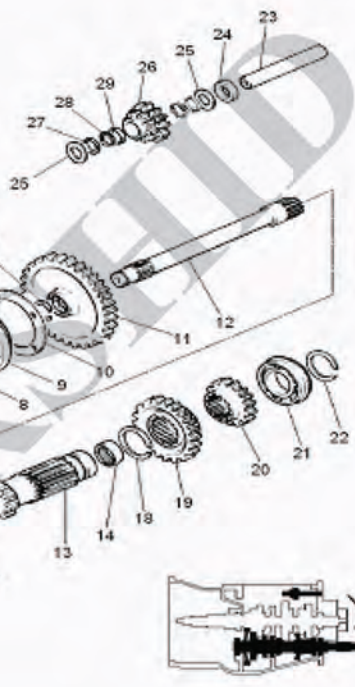
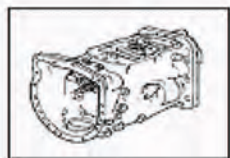
<u>ITEM</u>	<u>CKD</u>	<u>LocalPartNo</u>	<u>QTY</u>	<u>Description</u>	<u>Source</u>
1	762101M1	12163	1	SNAP RING	L
2	GK2151	12159	1	BEARING	I
3	377631X1	12146	1	RETAINING RING	L
4	1671705M1	12042	1	PINION	L
5	1860011M1	14095	1	OIL SEAL	L
6	1693782M1	123206	1	THRUST WASHER	L
7	964944M1	12135	1	DISTANCE PIECE	L
8	1682690M1	12036	1	GEAR DRIVEN 3RD	L
9	2700274M2	12133	1	SPACER	L
10	2700273M1	12156	1	ROLLER NEEDLE	I
11	195363M1	12161	4	SNAP RING	L
12	338552X1	12157	1	ROLLER BEARING	I
13	1687643M1	12144	1	MAIN SHAFT NON SYNC ND 95	L
14	1682688M1	12029	1	GEAR MAIN SHAFT LOW	L
15	1682691M1	12030	1	GEAR MAIN INT./HIGH	L
16	3008252X1	12154	2	BALL BEARING	I
17	N/A	125003	1	INPUT SHAFT	L
18	1693760M1	123090	1	PINION C/M 32 T	L

COUNTER SHAFT

MF260



ITEM	CKD	LocalPartNo	QTY	Description	Source
1	377479X1	12057	4	BOLT 3/8-16 X 1.1/4	L
2	353771X1	12058	5	WASHER-HARDENED 3/8	L
3	883620M1	12056	1	CAP FRONT PTO BRG HOUSING	L
4	1004633M1	12152	1	O RING	L
5	899385M1	12164	1	SNAP RING	L
6	881122M2	12169	1	RETAINING RING	L
7	355988X1	12162	1	SNAP RING INLET	L
8	899377M2	12155	1	BEARING	I
9	899331M1	12050	1	HOUSING FRONT PTO BRG	L
10	180432M1	12129	1	GASKET PTO BEARING. HOUSING	L
11	1671706M4	12038	1	GEAR PTO C/MESH 53 T	L
12	1868533M1	12047	1	SHAFT FRONT PTO DRIVE	L
13	906472M2	12015	1	COUNTER SHAFT	L
14	195453M1	10277	2	BEARING NEEDLE	I
15	195499M1	12168	1	SNAP RING	L
16	964916M1	12024	1	PINION C/SHAFT 3RD	L
17	195507M1	12153	1	BALL BEARING	I
18	195500M1	12160	1	CIRCLIP	L
19	180415M1	12018	1	PINION COUNTER SHAFT HIGH	L
20	180419M1	12019	1	PINION- INTERMEDIATE	L
21	3008252X1	12154	1	BALL BEARING	I
22	195363M1	12161	4	SNAP RING	L
23	180445M1	12004	1	SHAFT - REVERSE CUSTER	L
24	189449M1	12011	1	SPACER	L
25	180458M1	12140	2	WASHER I/D25.42 OD41.148 T1.52/1.60	L
26	183040M1	12006	1	GEAR REVERSE CLUSTER	L
27	183037M1	12141	2	WASHR GEAR RETAIN ID25.91 OD30.48	L
28	183039M1	12166	56	ROLLER NEEDLE	I
29	183038M1	12134	1	SPACER	L



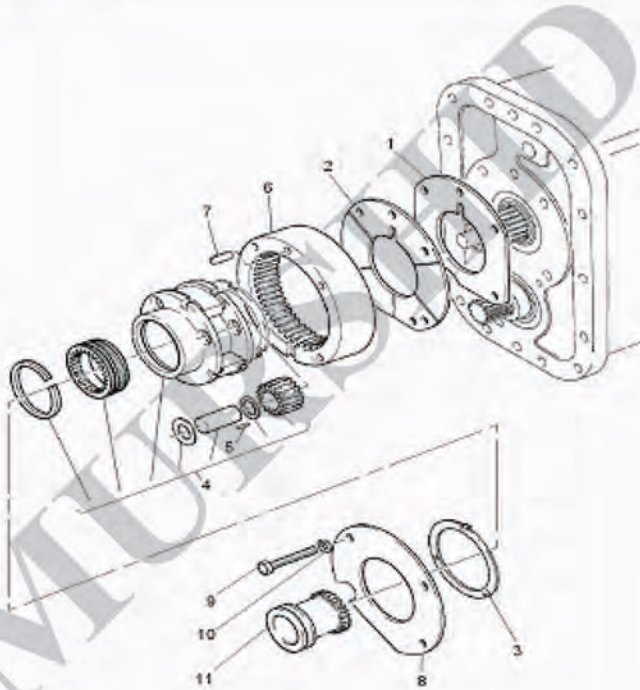
30	358913X1	12145	1	SNAP RING	L
31	1693755M1	123056	1	GEAR-C/MESH 41 T	L



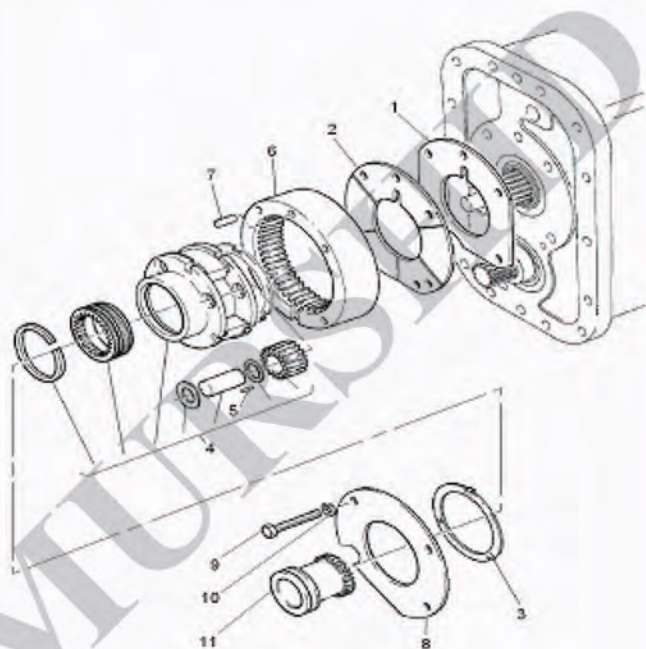
EPICYCLIC UNIT**MF260**

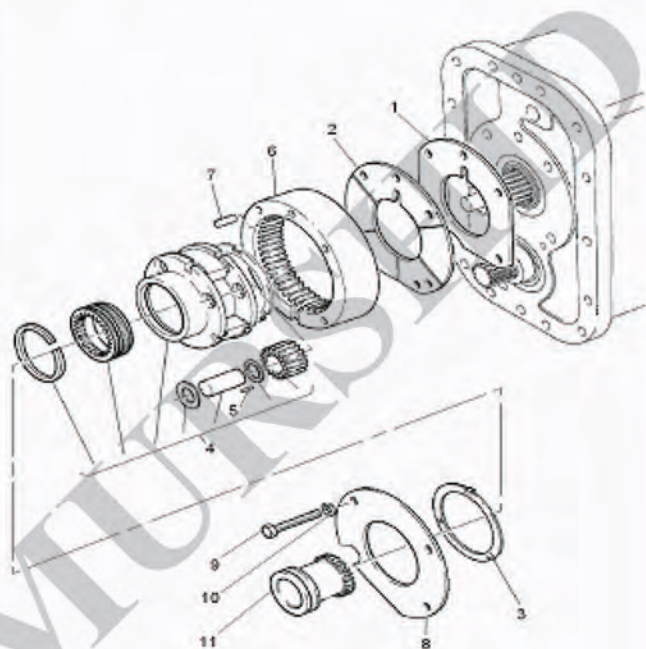
EPICYCLIC UNIT

37



<u>ITEM</u>	<u>CKD</u>	<u>LocalPartNo</u>	<u>QTY</u>	<u>Description</u>	<u>Source</u>
1	184011M1	12170	1	SHIM	L
2	180408M2	12067	1	PLATE-FRONT COVER	L
3	897367M1	12151	2	WASHR PLANETARY GEAR	L
4	897711M93	12070	1	ASSY EPI-CARRIER WITH ROLLER	B
5	897025M1	12123	162	NEEDLE ROLLER (POA 12070)	I
6	1671558M1	12149	1	GEAR PLAN RING	L
7	180409M1	12065	2	DOWEL	L
8	184012M4	12072	1	PLATE-REAR COVER	L
9	354271X1	12073	4	BOLT 3/8-16 X 2-3/4	L
10	353434X1	10075	2	WASHER LOCK 3/8"	L
11	184770M3	12075	1	COUPLER-PLAN SHIFT	L

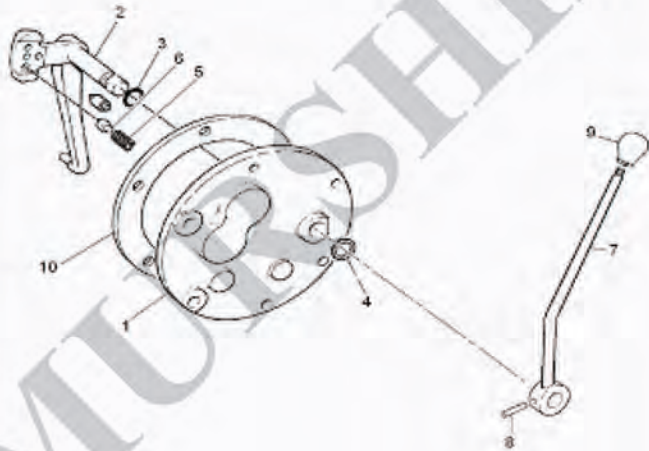




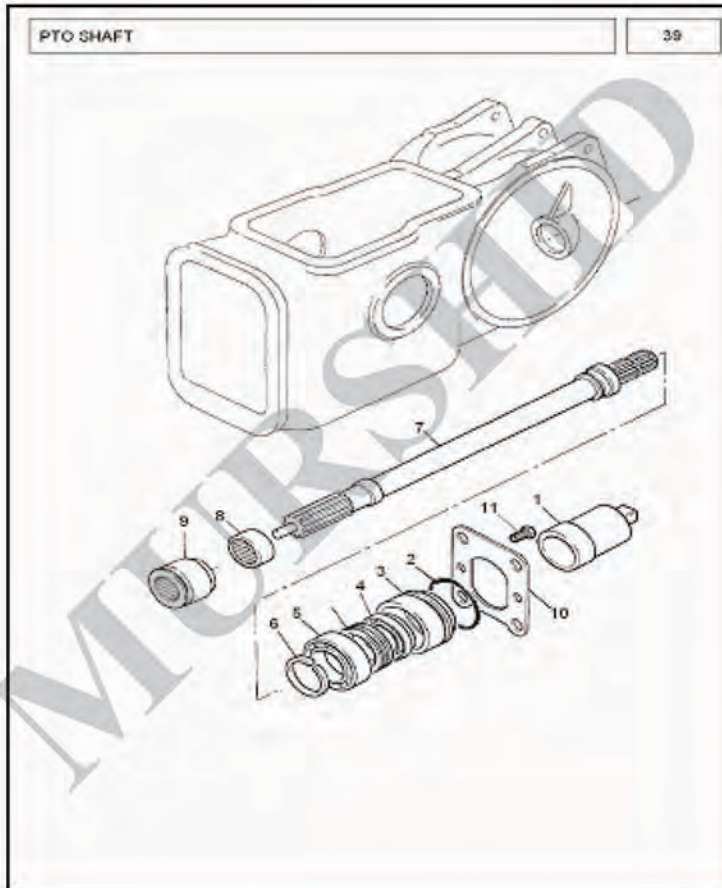
LIVE PTO CONTROLS**MF260**

LIVE PTO CONTROLS

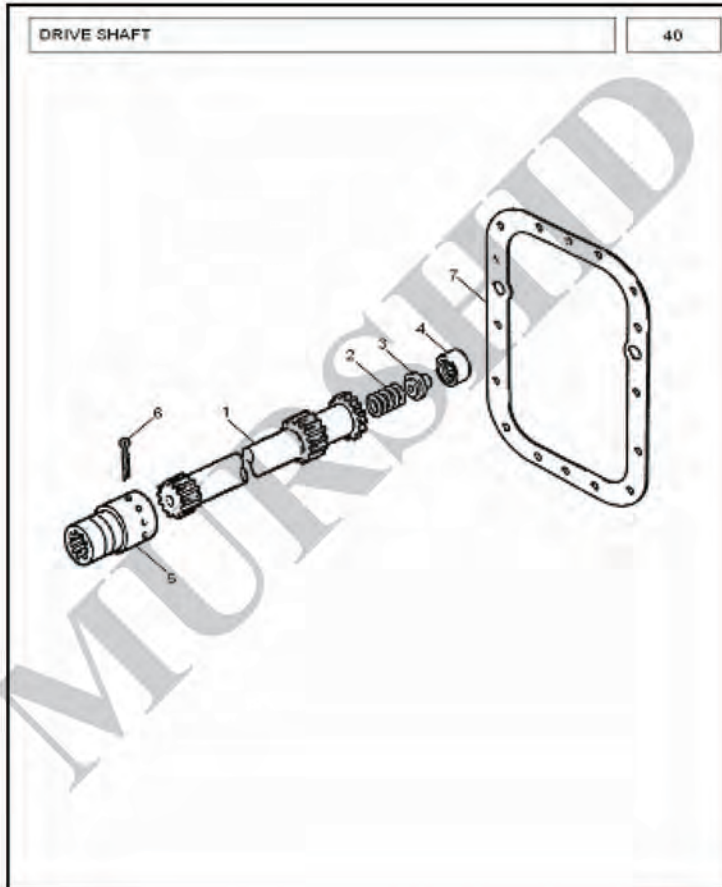
38



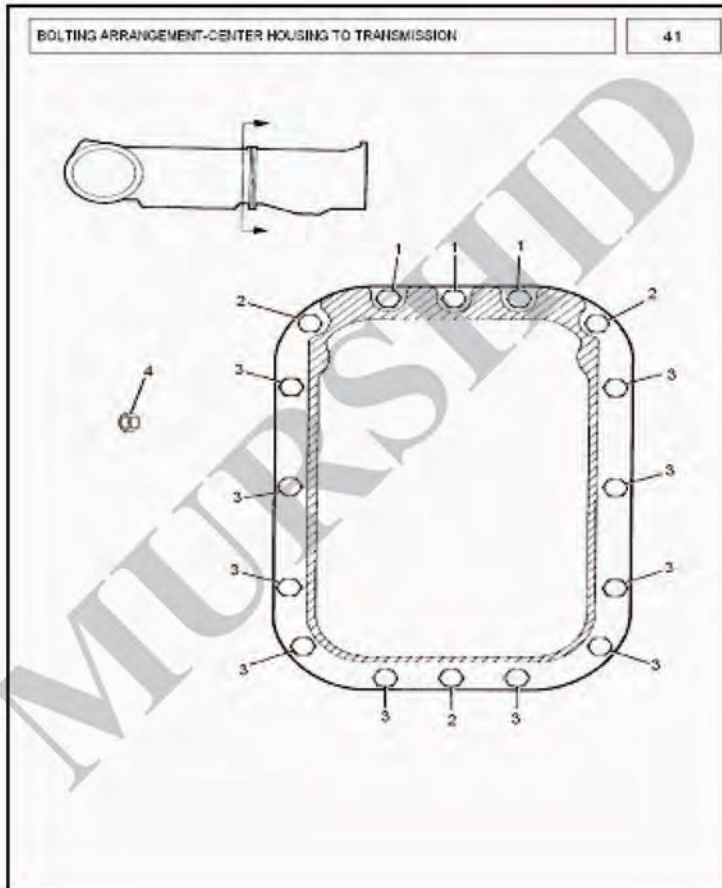
<u>ITEM</u>	<u>CKD</u>	<u>LocalPartNo</u>	<u>QTY</u>	<u>Description</u>	<u>Source</u>
1	3760665M1	27004	1	COVER PTO SHIFT	L
2	1870594M94	27003	1	ASSY-LEVER INTERNAL	L
3	195562M1	26116	2	O RING	L
4	353213X1	27093	1	CIRCLIP EXTERNAL	L
5	191221M1	12173	1	SPRING SHIFTER RAIL	L
6	180418M2	12109	1	PLUNGER	L
7	3599935M91	49001	1	ASSY LEVER PTO	L
8	357661X1	49005	1	PIN	L
9	1877461M1	49002	1	KNOB	L
10	1688222M3	26075	1	GASKET-SIDE COVER	L

PTO SHAFT**MF260**

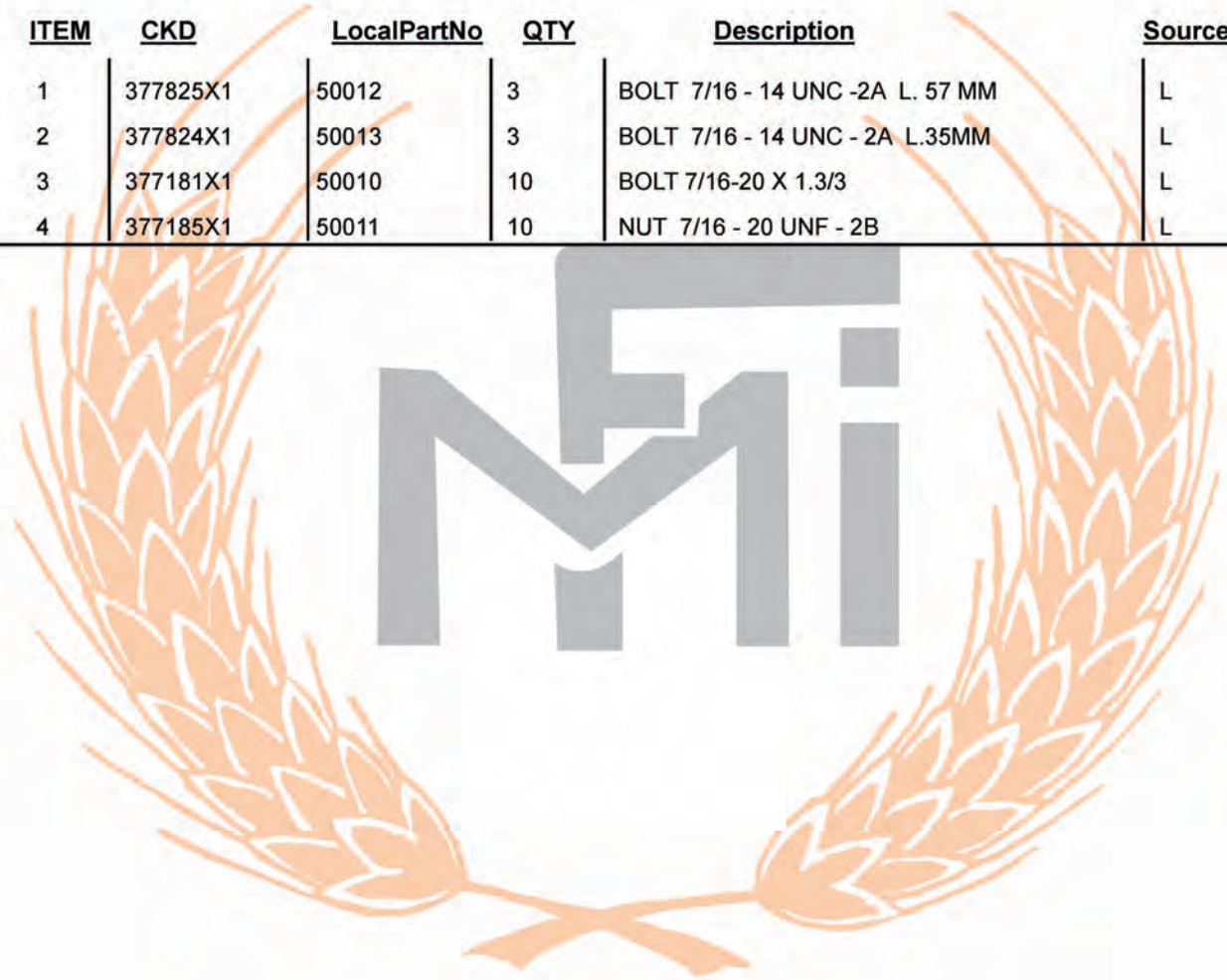
<u>ITEM</u>	<u>CKD</u>	<u>LocalPartNo</u>	<u>QTY</u>	<u>Description</u>	<u>Source</u>
1	532888M2	10292	1	CAP PTO (PLASTIC)	L
2	1004633M1	12152	1	O RING	L
3	3599002M3	10017	1	RETAINER PTO	L
4	3699801M1	10122	1	SEAL PTO	I
5	391162X1	92005	1	BALL BEARING	I
6	831581M2	92004	1	RING SNAP	L
7	3599003M3	10013	1	ASSY. PTO SHAFT	L
8	195453M1	10277	1	BEARING NEEDLE	I
9	3599630M1	10119	1	COUPLER	L
10	1663254M1	103085	1	RETAINER PTO BEARING	L
11	362471X1	25001	3	BOLT 7/16-14 UNC L. 22.3	L

DRIVE SHAFT**MF260**

<u>ITEM</u>	<u>CKD</u>	<u>LocalPartNo</u>	<u>QTY</u>	<u>Description</u>	<u>Source</u>
1	886548M1	50004	1	SHAFT REAR DRIVE	L
2	886352M1	50026	1	SPRING	L
3	886353M1	50007	1	ABUTMENT	L
4	195513M1	50024	1	BEARING ROLLER	I
5	1871924M1	50008	1	COUPLER REAR DRIVE	L
6	3701695M1	50023	1	PIN COTTER	L
7	3599804M2	50020	1	GASKET	L



<u>ITEM</u>	<u>CKD</u>	<u>LocalPartNo</u>	<u>QTY</u>	<u>Description</u>	<u>Source</u>
1	377825X1	50012	3	BOLT 7/16 - 14 UNC -2A L. 57 MM	L
2	377824X1	50013	3	BOLT 7/16 - 14 UNC - 2A L.35MM	L
3	377181X1	50010	10	BOLT 7/16-20 X 1.3/3	L
4	377185X1	50011	10	NUT 7/16 - 20 UNF - 2B	L

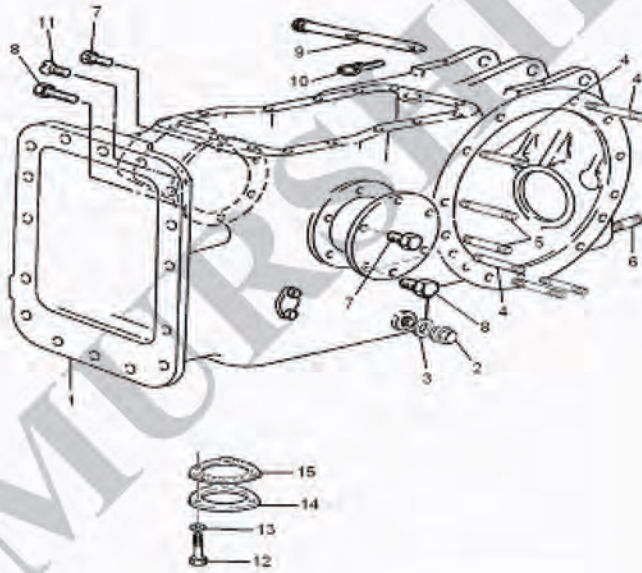


REAR AXLE - CENTER HOUSING

MF260

REAR AXLE-CENTER HOUSING

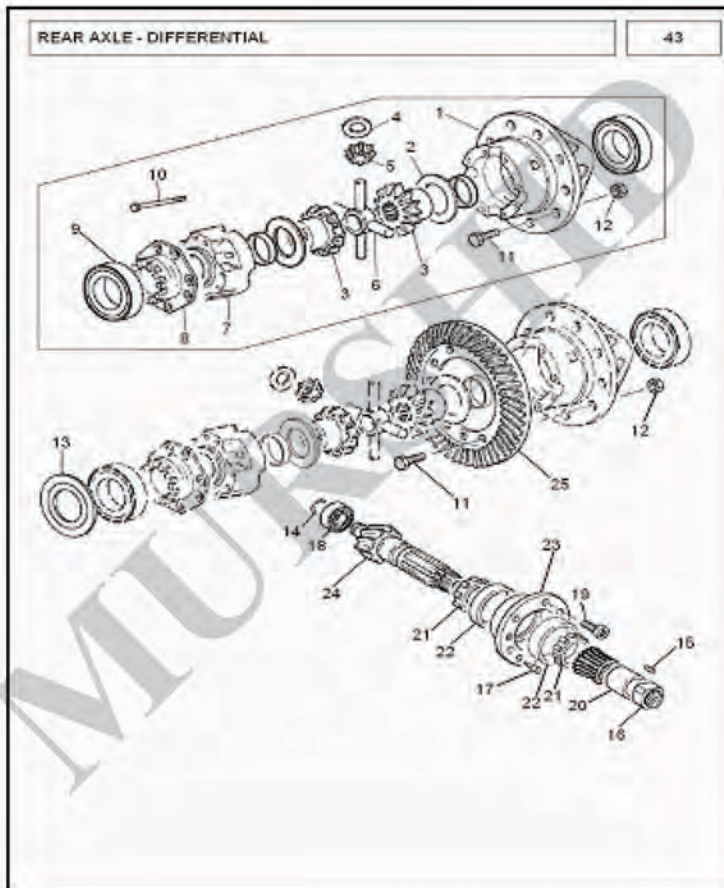
42



<u>ITEM</u>	<u>CKD</u>	<u>LocalPartNo</u>	<u>QTY</u>	<u>Description</u>	<u>Source</u>
1	1686507M2	10001	1	CENTRE HOUSING	L
2	884691M1	10269	1	PLUG DRAIN THREAD	L
3	180474M2	105017	1	WASHER ALUMINIUM (ALT. 10270)	L
4	377617X1	103014	8	STUD AXLE HSN. 1/2-13 UNC(P.DIA)	L
5	377616X1	103013	4	STUD AXLE HSN. 1/2-13 UNC(P.DIA)	L
6	1860900M2	10002	4	STUD 1/2-13 UNC1/2-20 UNF-3A L66.7	L
7	3771826M1	40041	8	PTCHD BOLT 7/16-14 UNC-2A L.1	L
8	3771827M1	40042	3	PTCHD BOLT7/16-14 UNC-2A L.1-1/4	L
9	180901M91	40001	1	PIN ASSY	L
10	810285M92	25028	1	PIN & RING ASSY	L
11	3772195M1	40043	1	PTCHD. SCREW 7/16-14 UNC-2A L0.7872	L
12	353676X1	41004	3	SCREW 5/15-18X5/8	L
13	353446X1	19017	3	WASHER 5/16	L
14	1869491M1	41002	1	PLATE COVER	L
15	1660551M2	41005	1	GASKET	L

REAR AXLE - DIFFERENTIAL

MF260

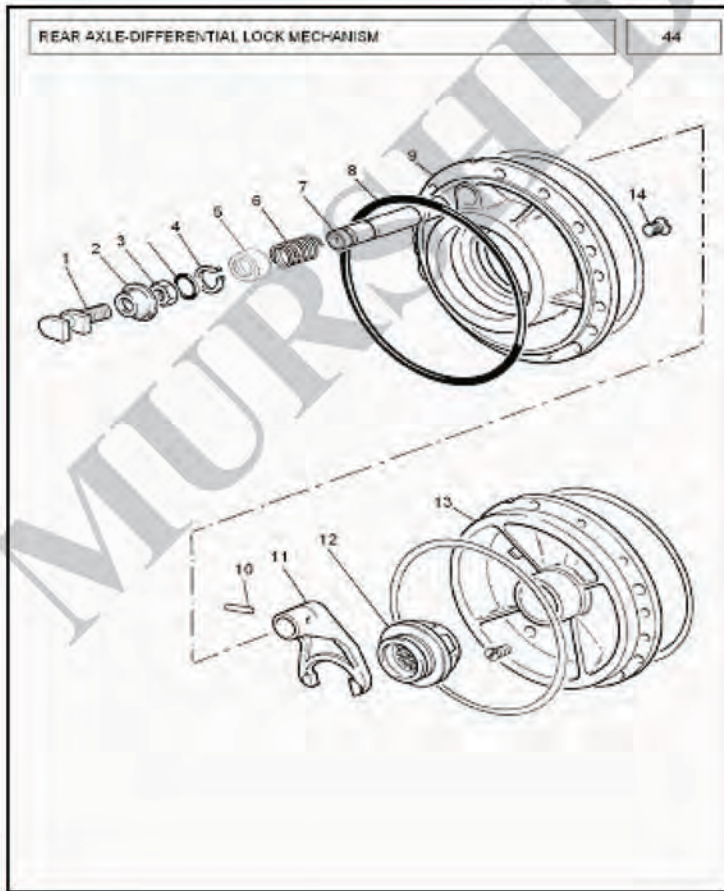


<u>ITEM</u>	<u>CKD</u>	<u>LocalPartNo</u>	<u>QTY</u>	<u>Description</u>	<u>Source</u>
1	893223M2	103111	1	DIFF. CASE LH	L
2	897726M1	10266	2	THRUST WASHER ID76.23/76.2 OD105.4	L
3	885518M1	10044	2	GEAR DIFF (GEAR SUN)	L
4	3387281M1	10267	4	WASHER DIFF. ID25.75 OD52.32/49.78	L
5	2746322M1	10047	4	PINION DIFF. (PINION PLANETARY)	L
6	2746135M2	10118	1	JOINT DIFF. CROSS (MACHINING)	L
7	892174M1	103112	1	DIFF. CASE RH	L
8	898712M2	103121	1	CAP DIFF. COUPLING	L
9	1850909M91	10274	1	ASSY CUP & CONE BEARING	I
10	882232M1	10040	8	SCREW 1/2 - 13 UNC - 3A	L
11	825776M1	10265	24	BOLT 1/2 - 20 - 2A	L
12	891947M1	10287	34	NUT	L
13	191124M1	10058	1	SHIELD BEARING	L
13	521401M1	10060	1	SHIELD BEARING	L
13	892170M1	10057	1	SHIELD BEARING	L
13	892171M1	10056	1	SHIELD BEARING	L
13	892172M1	10055	1	SHIELD BEARING	L
13	892173M1	10054	1	SHIELD BEARING	L
14	196097M1	10273	1	RING SNAP PINION BEARING	L
15	3612442M1	10279	2	ROLLER NEEDLE	I
16	532956M1	10032	1	NUT PINION	L
17	181253M1	10027	1	PIN PINION BEARING LOCK	L
18	191250M1	10278	1	BEARING PILOT PINION	I
19	899199M1	10033	6	BOLT P. SLEEVE 9/16-12UNC-2A L1-1/4	L
20	1661065M1	10030	1	SPACER PINION	L
21	185777M1	10275	2	BEARING CONE & ROLLER	I
22	185778M1	10276	2	CUP BEARING	I
23	518861M91	10300	1	ASSY. SLEEVE	B
24	1693731M1	103097	1	DRIVING PINION	L

25	1693730M1	103099	1	CROWN WHEEL	L
26	833639M1	103113	1	CUP BEARING	I
27	831343M2	103586	1	BEARING CONE & ROLLER	I

REAR AXLE - DIFFERENTIAL LOCK MECHANISM

MF260

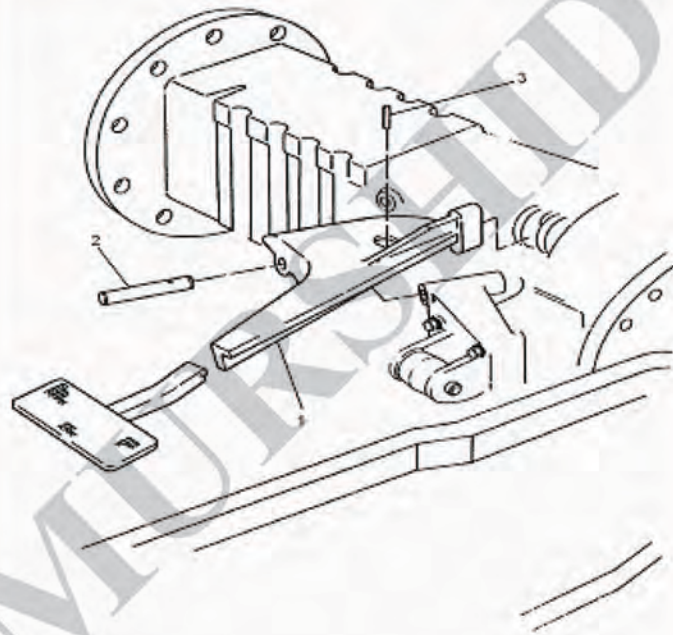


<u>ITEM</u>	<u>CKD</u>	<u>LocalPartNo</u>	<u>QTY</u>	<u>Description</u>	<u>Source</u>
1	1865014M1	105005	1	CLEVIS	L
2	906811M1	733069	1	BOOT	L
3	353428X1	733068	1	HEX NUT 7/16 - 20	L
4	358950X1	733065	1	RING SNAP	L
5	3611355M1	733060	1	COLLAR DIFF LOCK	L
6	1694353M1	733064	1	SPRING	L
7	3613150M1	733061	1	SHAFT DIFF LOCK	L
8	1860838M1	103392	4	O-RING	L
9	1860881M1	103391	1	PLATE DIFF CARRIAR RH	L
10	355723X1	733063	1	PIN ROLL LOCK FORK	L
11	906807M1	733062	1	FORK DIFF LOCK (OLD NO 105004)	L
12	897003M3	103429	1	COUPLER DIFF LOCK	L
13	1687863M3	103583	1	PLATE DISC BRAKE LH	L
14	376407X1	103390	4	SCREW 5/16 - 24 L. 1	L

REAR AXLE - DIFFERENTIAL LOCK PEDAL**MF260**

REAR AXLE - DIFFERENTIAL LOCK PEDAL

45



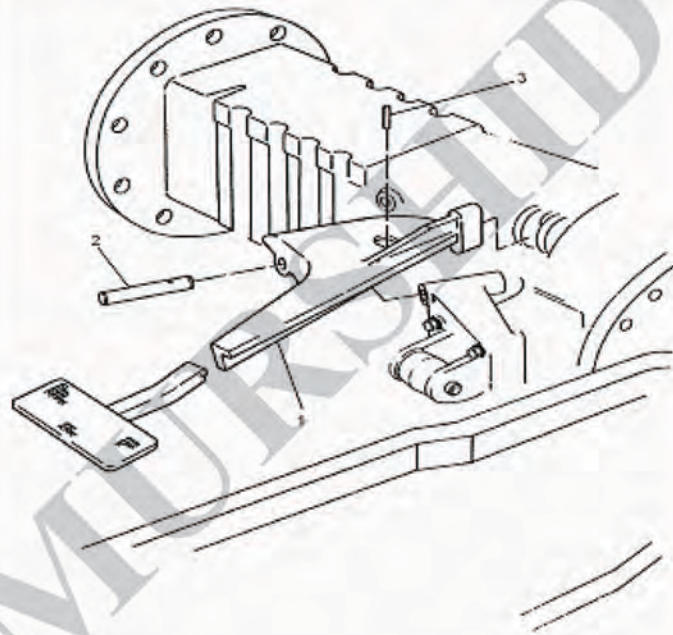
<u>ITEM</u>	<u>CKD</u>	<u>LocalPartNo</u>	<u>QTY</u>	<u>Description</u>	<u>Source</u>
1	1871783M1	505001	1	PEDAL DIFF LOCK	L
2	1860961M2	505002	1	PIN	L
3	354454X1	505003	1	PIN GROOVED	L

The image features a large, stylized logo consisting of the letters 'M' and 'F' in a bold, blocky font. The logo is centered and surrounded by a decorative wreath made of orange and white leaves, resembling a laurel wreath. The entire graphic is set against a white background.

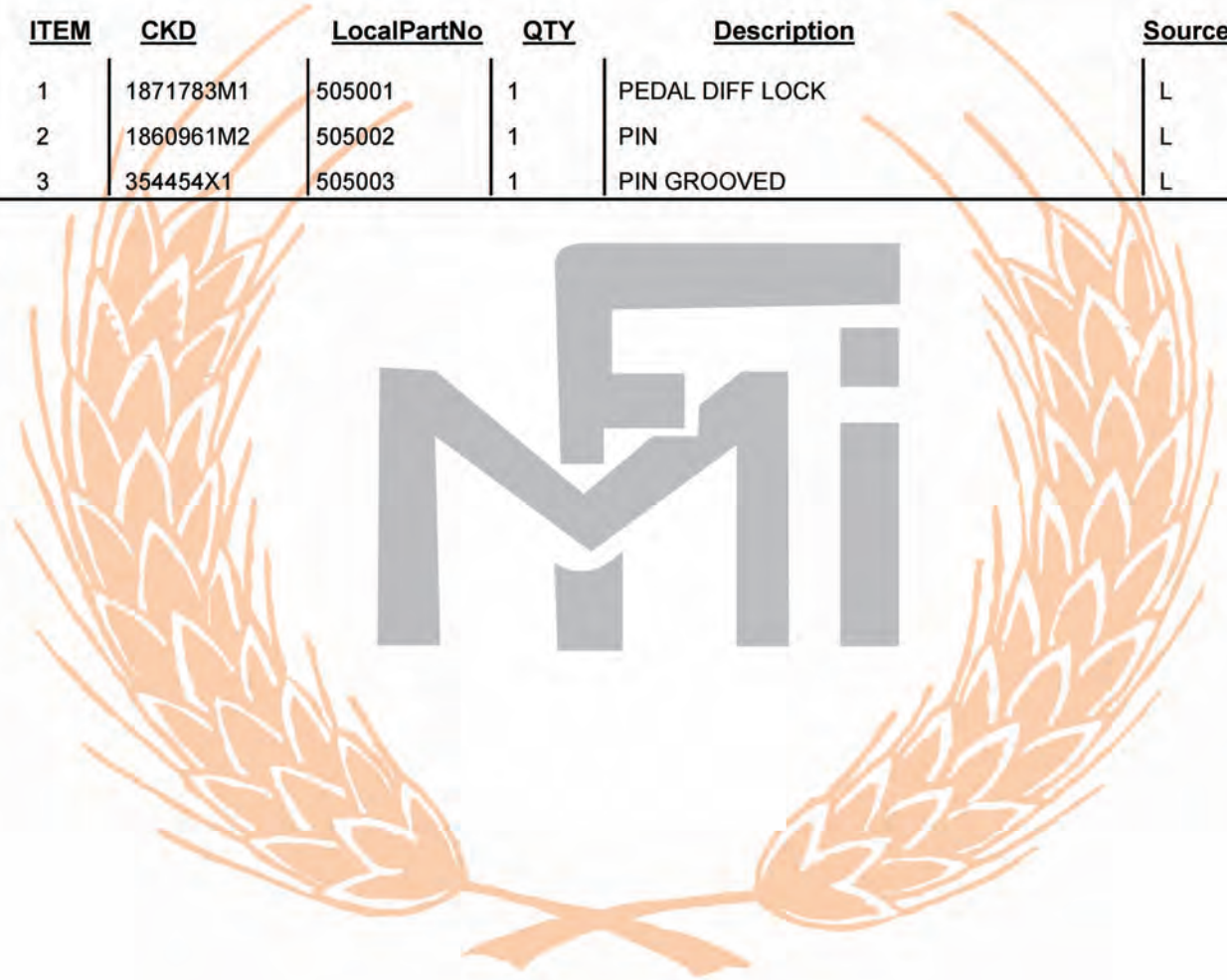
REAR AXLE DIFFERENTIAL LOCK PEDAL**MF260**

REAR AXLE - DIFFERENTIAL LOCK PEDAL

45

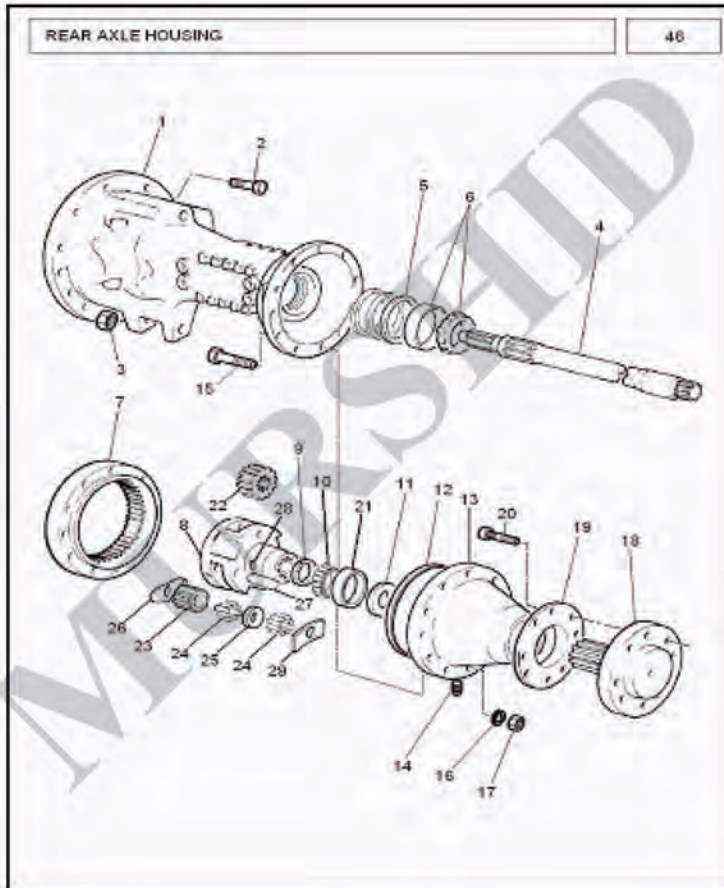


<u>ITEM</u>	<u>CKD</u>	<u>LocalPartNo</u>	<u>QTY</u>	<u>Description</u>	<u>Source</u>
1	1871783M1	505001	1	PEDAL DIFF LOCK	L
2	1860961M2	505002	1	PIN	L
3	354454X1	505003	1	PIN GROOVED	L



REAR AXLE HOUSING

MF260

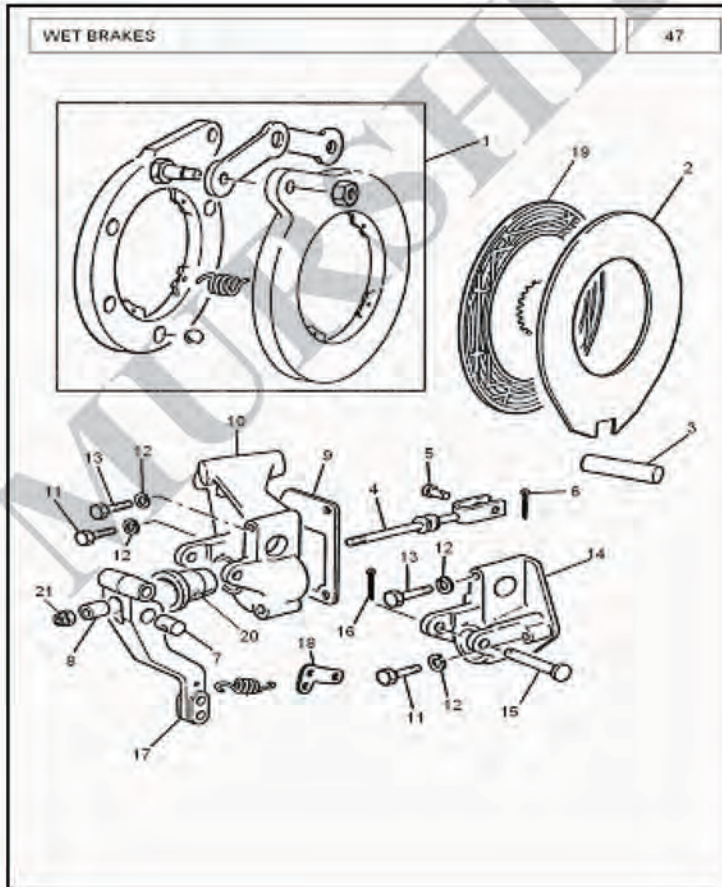


<u>ITEM</u>	<u>CKD</u>	<u>LocalPartNo</u>	<u>QTY</u>	<u>Description</u>	<u>Source</u>
1	3759143M3	103300	1	AXLE HOUSING RH	L
1	3759144M3	103480	1	AXLE HOUSING LH	L
2	377622X1	103590	18	BOLT 1/2 - 13 UNC - 2A L.1-7/8	L
3	377626X1	10094	12	NUT 1/2-20 AXLE HOUSING	L
4	1678303M1	103344	2	AXLE SHAFT	L
5	894757M1	103481	1	SHIM	L
5	894758M1	103482	1	SHIM	L
5	894759M1	103483	1	SHIM	L
6	22020X	103301	2	CUP BEARING	I
6	894776M1	103302	2	BEARING CONE & ROLLER	I
7	1693732M2	103346	2	GEAR INTERNAL	L
8	1864872M4	103000	2	ASSY CARRIER REAR AXLE	L
9	882603M1	103314	4	RING RETAINING	L
10	884792M2	103335	2	BEARING CONE & ROLLER	I
11	3699800M2	103333	2	OIL SEAL	I
12	3759196M1	103347	4	SEAL EPICYCLIC ND	L
13	3759150M2	103331	2	COVER	L
14	347341X1	103332	2	PLUG DRAIN 1/8 - B.S.P. TAPPER	L
15	361785X1	103526	24	BOLT 7/16 - 20 L. 3.88	L
16	376721X1	10268	24	WASHER 7/16	L
17	363625X1	11027	24	NUT 7/16-20	L
18	N/A	105019	2	AXLE WHEEL	L
19	894756M1	103341	2	OIL SEAL	L
20	847416M1	103343	16	BOLT AXLE WHEEL	L
21	882967M1	103334	2	CUP BEARING	I
22	1693733M1	103304	2	PINION PLANTARY SUN GEAR	L
23	1693734M1	103305	6	PINION PLANTARY	L
24	1693736M1	103306	192	ROLLER NEEDLE	I
25	1693735M1	103307	6	WASHR.BARNG.RET. 26.7/27.0 OD38.8	A

26	184441M1	103308	8	THRUST WASHER (6206357M1)	A
27	1864869	103309	6	SHAFT PLANTARY PINION	L
28	1864852M1	103310	6	PIN SPIROL	A
29	894867M1	103311	4	THR. WASHER I/D 26.34/26.85	A

WET BRAKES

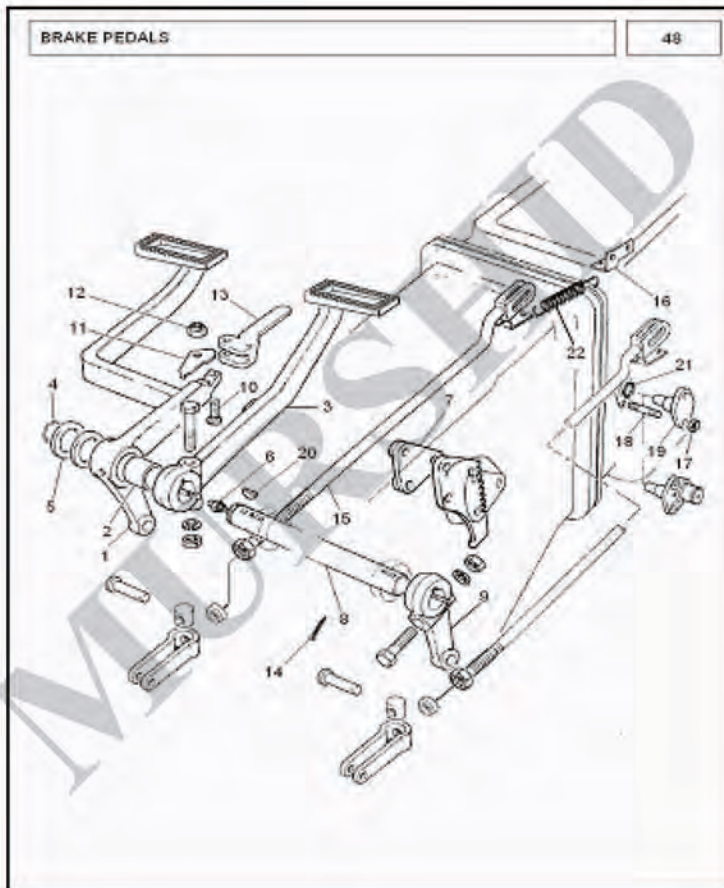
MF260



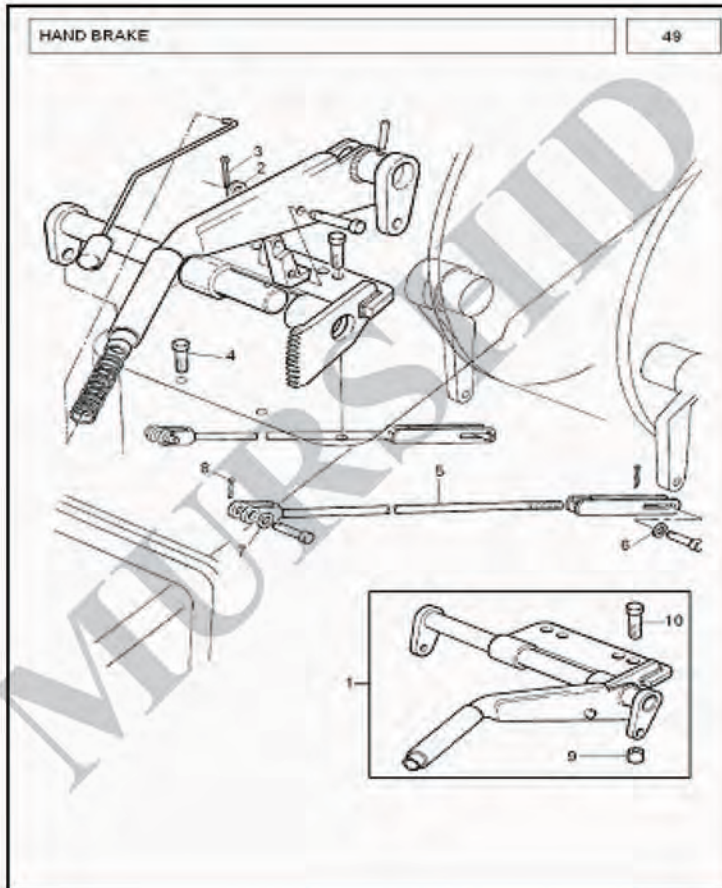
<u>ITEM</u>	<u>CKD</u>	<u>LocalPartNo</u>	<u>QTY</u>	<u>Description</u>	<u>Source</u>
1	1860963M92	105015	2	ASSY. ACTUATOR BRK DISC	I
2	1860965M2	103373	4	DISC INTERMEDIATE	I
3	1860956M1	103385	2	PIN REACTION	L
4	1861676M91	105001	2	PULL ROD	L
5	195348M1	105002	2	PIN CLEVIS	L
6	354068X1	14092	2	PIN COTTER	L
7	1865003M1	115001	2	TRUNNION	L
8	1865002M1	105003	2	COLLAR	L
9	1860960M2	103660	2	GASKET	L
10	847705M2	105009	1	BRACKET D/L LEVER RH	L
11	362455X1	105012	4	BOLT 3/8 - 16 L. 2.25	L
12	353434X1	10075	6	WASHER LOCK 3/8"	L
13	362463X1	105013	2	BOLT 3/8 - 16 L. 2.75	L
14	1860969M1	105008	1	BRACKET LH	L
15	363459X1	105018	2	PIN CLEVIS BRAKE LEVER	L
16	354059X1	11005	2	PIN COTTER	L
17	1861665M1	105010	1	LEVER BRAKE RH	L
17	1861666M1	105011	1	LEVER BRAKE LH	L
18	3597162M1	103381	2	ANCHOR PLATE	L
19	1860964M2	103372	8	DISC FRICTION MIDDLE	I
20	1860959M1	105016	2	SEAL	L
21	363571X1	N/A	2	NUT TOP LOCK 7/16-20	L

BRAKE PEDALS

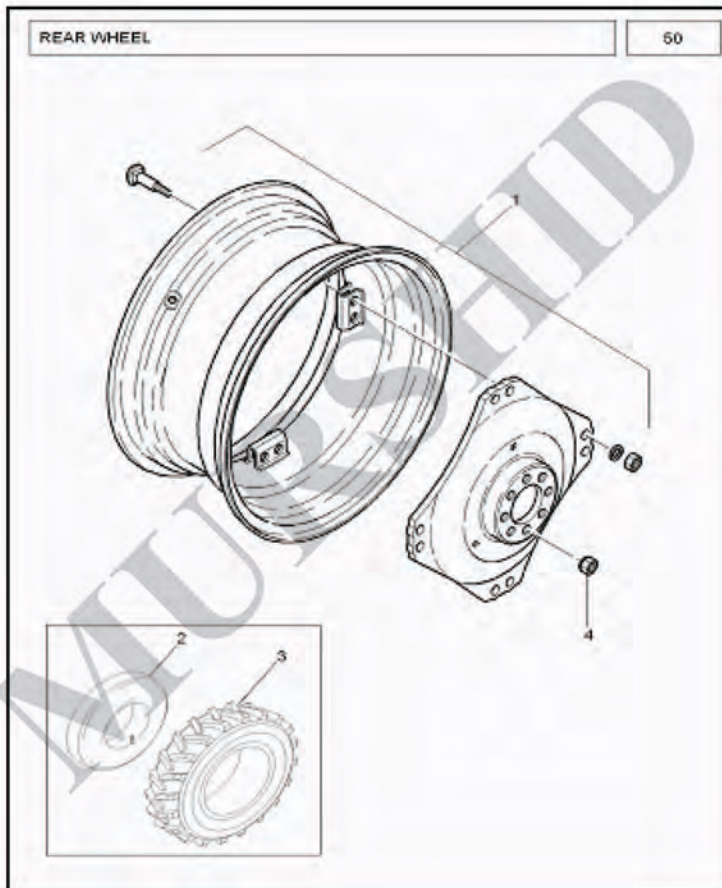
MF260



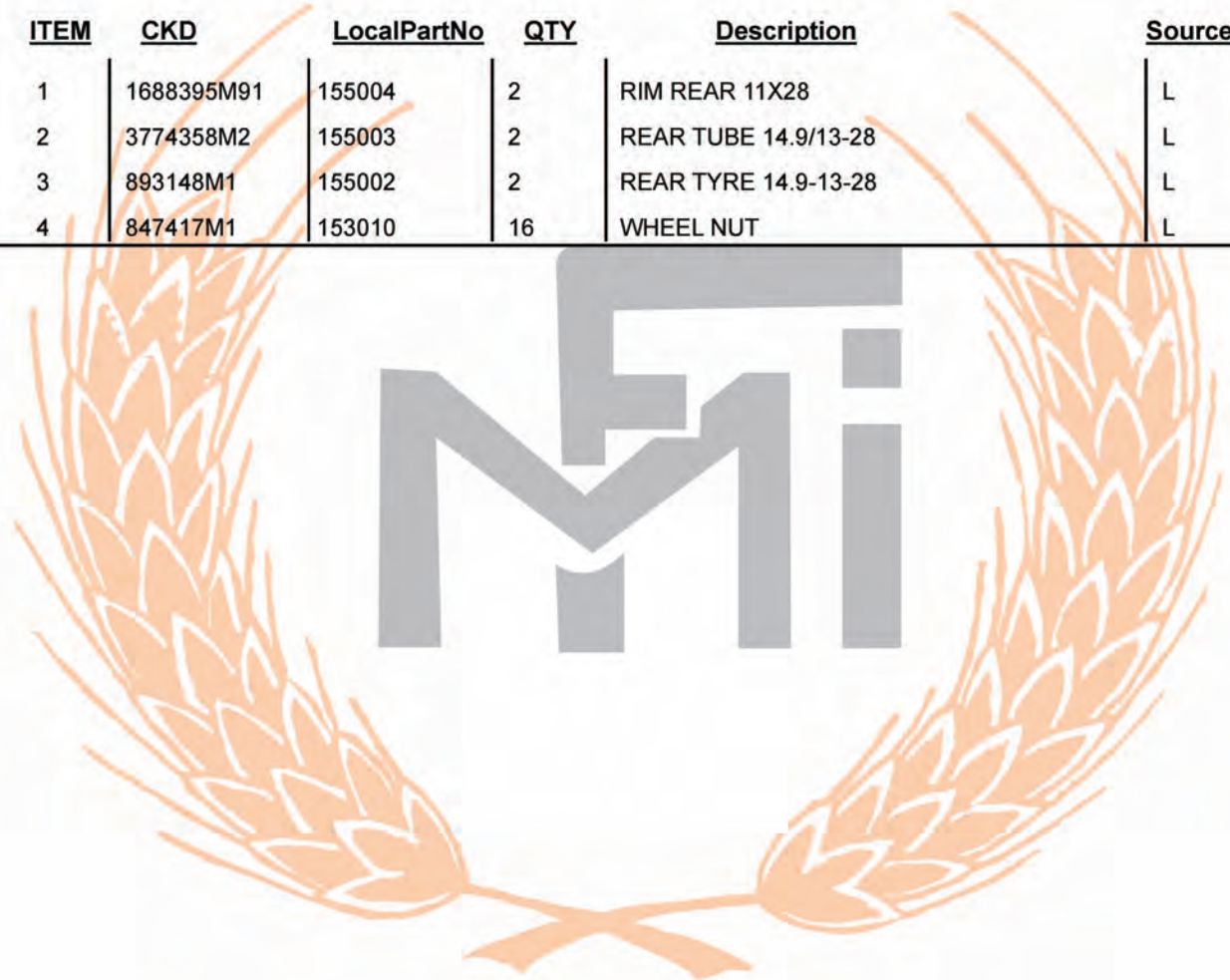
<u>ITEM</u>	<u>CKD</u>	<u>LocalPartNo</u>	<u>QTY</u>	<u>Description</u>	<u>Source</u>
1	1861171P91	11065	1	ASSY PEDAL RH	L
2	195910M1	11075	1	BUSH	L
3	1861172M1	11028	1	PEDAL LH	L
4	195904M1	11074	1	RING SNAP	L
5	181964M1	11072	1	WASHER I/D35.5 O/D 47.62 THK 4.29	L
6	200191M1	11076	6	LUBRICATOR	L
7	180870M1	13075	1	PLATE-SPACER	L
8	1860802M1	11021	1	SHAFT BRAKE CROSS	L
9	180864M1	11024	1	ARM-COMBINED BRAKE	L
10	361203X1	11035	1	SCREW 5/16 - 24 UNF-2A L.1.572	L
11	181958M1	25058	1	SPRING	L
12	376447X1	11037	1	LOCK NUT 5/16 UNF	L
13	181960M1	11067	1	LOCK-COMBINED BRAKE	L
14	354059X1	11005	2	PIN COTTER	L
15	1676736M93	115004	2	ASSY ROD & YOKE (LARGE)	L
16	3597162M1	103381	2	ANCHOR PLATE	L
17	363621X1	11042	4	NUT PUMP SUPPORT PIN 5/16 - 24	L
18	195569M2	11043	4	STUD 5/16-24 UNF-3A	L
19	898643M1	11040	2	PIN PUMP SUPPORT	L
20	12501X	11073	2	WOODRUF KEY	L
21	851285M1	11077	2	O RING (762026M1)	L
22	1868691M1	11012	1	SPRING	L

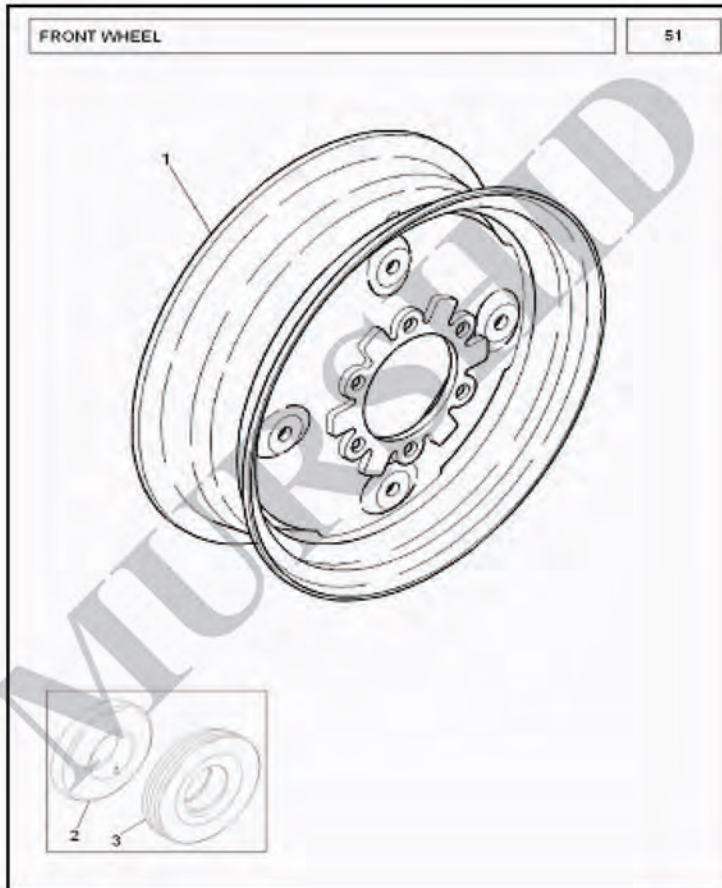
HAND BRAKES**MF260**

<u>ITEM</u>	<u>CKD</u>	<u>LocalPartNo</u>	<u>QTY</u>	<u>Description</u>	<u>Source</u>
1	898652M94	11001	1	ASSY HAND BRAKE	L
2	353754X1	14048	1	WASHER-FLAT 1/4	L
3	354039X1	26110	1	PIN COTTER	L
4	376805X1	26102	2	BOLT 7/16-14 UNC-2A L.46.0/47.6	L
5	1694778M91	115005	2	ASSY ROD & YOKE (SMALL)	L
6	353756X1	11006	2	WASHER FLAT 3/8	L
7	355619X1	11066	2	WASHER LARGE 3/8	L
8	354059X1	11005	2	PIN COTTER	L
9	1694699M1	11002	2	SPACER	L
10	1694297M1	26086	2	BOLT 7/16 - 14 UNC - 2A L. 89	L

REAR WHEEL**MF260**

<u>ITEM</u>	<u>CKD</u>	<u>LocalPartNo</u>	<u>QTY</u>	<u>Description</u>	<u>Source</u>
1	1688395M91	155004	2	RIM REAR 11X28	L
2	3774358M2	155003	2	REAR TUBE 14.9/13-28	L
3	893148M1	155002	2	REAR TYRE 14.9-13-28	L
4	847417M1	153010	16	WHEEL NUT	L



FRONT WHEEL**MF260**

<u>ITEM</u>	<u>CKD</u>	<u>LocalPartNo</u>	<u>QTY</u>	<u>Description</u>	<u>Source</u>
1	885741M4	17001	2	WHEEL 4.5 x 16 (RIM FRONT)	L
2	1850991M1	173004	2	FRONT TUBE 7.50X16	L
3	1853301M1	173003	2	FRONT TYRE 7.50X16	L

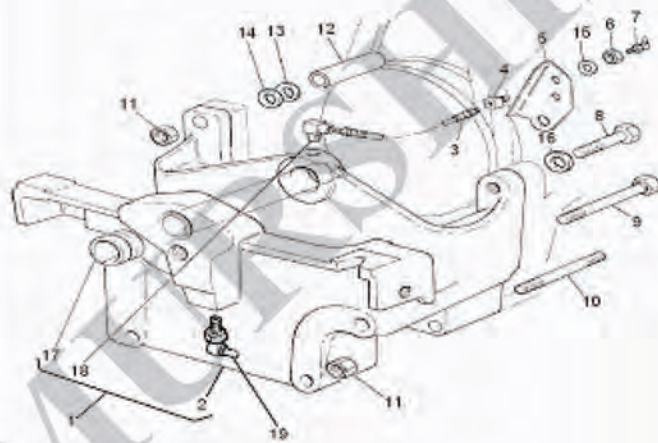


AXLE SUPPORT

MF260

AXLE SUPPORT

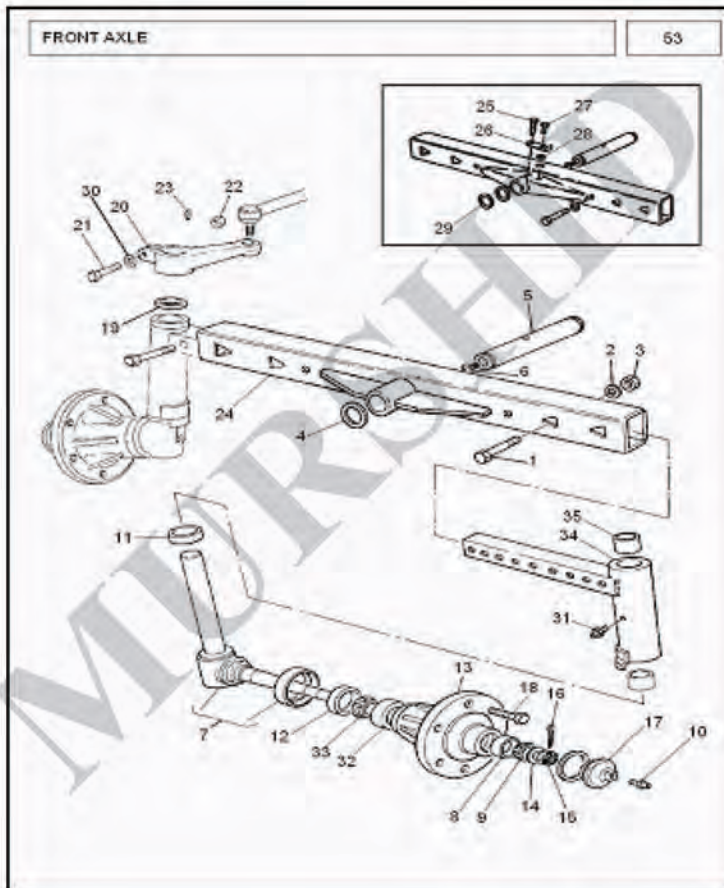
52



<u>ITEM</u>	<u>CKD</u>	<u>LocalPartNo</u>	<u>QTY</u>	<u>Description</u>	<u>Source</u>
1	2528935K93	14700	1	ASSY. FRONT AXLE SUPPORT	L
2	1688612M2	14002	1	FRONT SUPPORT	L
3	1670913M91	14024	1	ASSY.HOSE REMOTE GREASING	L
4	1809904M1	14071	1	UNION BULK HEAD	L
5	1670940M2	14011	1	BRACKET REMOTE GREASING	L
6	517254M1	14080	1	NUT LOCK 1/8 NPSM	L
7	850778M1	14107	1	GREASER (ALT 894467 M1)	L
8	3019865X1	14078	1	BOLT M16 L. 75	L
9	3019864X1	14077	2	BOLT M16 L. 65	L
10	3019884X1	14083	2	STUD M16	L
11	3019871X1	14009	3	NUT M 16	L
12	847189M1	14014	1	SPACER	L
13	365690X1	14016	1	SHIM	L
13	365691X1	14104	1	SHIM	L
13	377126X1	14103	1	SHIM	L
14	377127X1	14091	1	SHIM	L
15	353756X1	11006	1	WASHER FLAT 3/8	L
16	1441664X1	16029	1	FLAT WASHER M16	L
17	1660114M2	14003	2	BUSH	L
18	377859X1	14070	1	ELBOW 90-DEG	L
19	19575X	99020	1	LUBRICATOR	L

FRONT AXLE

MF260

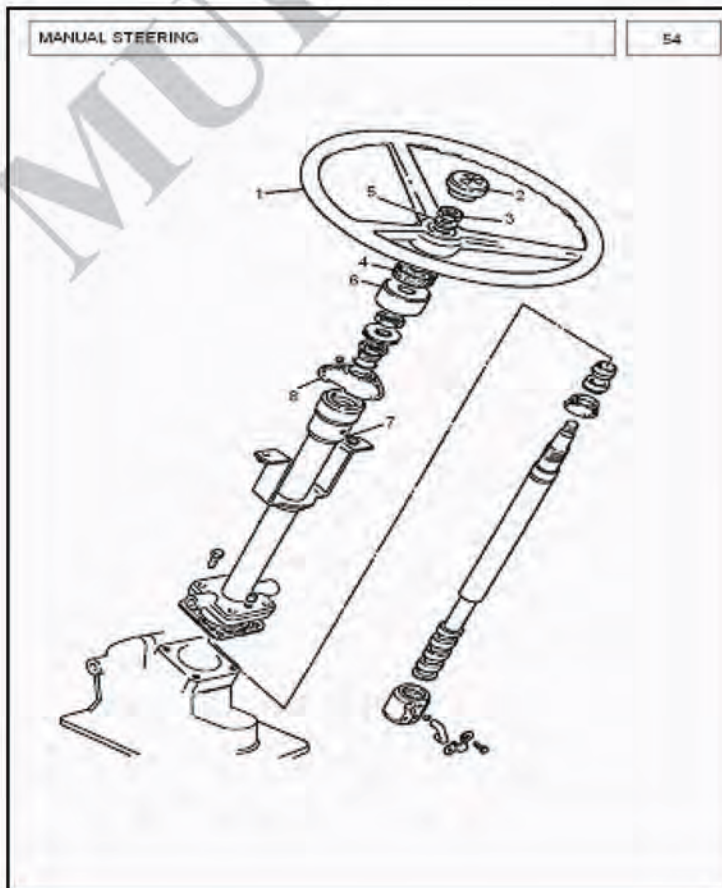


<u>ITEM</u>	<u>CKD</u>	<u>LocalPartNo</u>	<u>QTY</u>	<u>Description</u>	<u>Source</u>
1	377170X1	14076	4	BOLT 5/8 - 18 UNF-2A L.79.4MM	L
2	353433X1	14085	4	WASHER 5/8	L
3	353427X1	14036	4	NUT 5/8-18	L
4	1661600M1	14089	1	SHIM	L
4	1863312M1	14105	1	SHIM	L
4	1863313M1	14087	1	SHIM	L
4	1863314M1	14088	1	SHIM	L
5	1670939M1	14037	1	PIN PIVOT	L
6	376408X1	14079	1	SCREW 7/16 - 14 L. 0.75	L
7	897236M94	145600	1	ASSY FRT AXLE SPDL&DUST SHIELD RH	L
7	897237M94	145500	1	ASSY FRT AXLE SPDL&DUST SHIELD LH	L
8	831054M1	14097	2	BEARING CUP OUTER	I
9	831055M1	14096	2	BEARING CONE & ROLLER	I
10	200191M1	11076	4	LUBRICATOR	L
11	196167M1	145007	2	THRUST BEARING	L
12	897242M1	14069	2	OIL SEAL	L
13	886336M1	14054	2	HUB	L
14	180010M1	14082	2	WASHR RETAIN ID 19.10/19.36 OD 40	L
15	353928X1	14058	2	NUT 7/16-14	L
16	354068X1	14092	2	PIN COTTER	L
17	191142M1	14061	2	CAP-HUB	L
18	906863M1	14072	12	BOLT 1/2-20 UNF P.D.11.842/11.732	L
19	180355M2	14093	2	SEAL	L
20	180350M1	145003	2	ARM STEERING LH/RH	L
21	353625X1	145004	2	BOLT 5/8-18 UNF (LENGTH. 82.5MM)	L
22	363625X1	11027	2	NUT 7/16-20	L
23	350355X1	14090	2	KEY	L
24	1865911M95	14025	1	ASSY CENTRE BEAM	L
25	1867906M1	14081	1	SCREW 1/2 - 20 UNF - 2A	L

26	1865932M1	14068	1	TAB WASHER A/F 19.30/19.10 T.1.5	L
27	353502X1	13028	1	SCREW 1/4-28 x 3/4	L
28	353754X1	14048	1	WASHER-FLAT 1/4	L
29	1442689X1	14108	1	CIRCLIP	L
30	339377X1	14084	1	LOCK WSHR. I/D16.2 O/D27.4 T.3.5	L
31	MP1056	14101	2	LUBRICATOR	L
32	831077M1	14098	2	BEARING TAPER ROLLER	I
33	831078M1	14099	2	BEARING TAPER ROLLER	I
34	888300M92	145005	1	AXLE ARM LH	L
34	888304M92	145002	1	AXLE ARM RH	L
35	183086M1	145006	2	BUSH SPINDLE	L

MANUAL STEERING

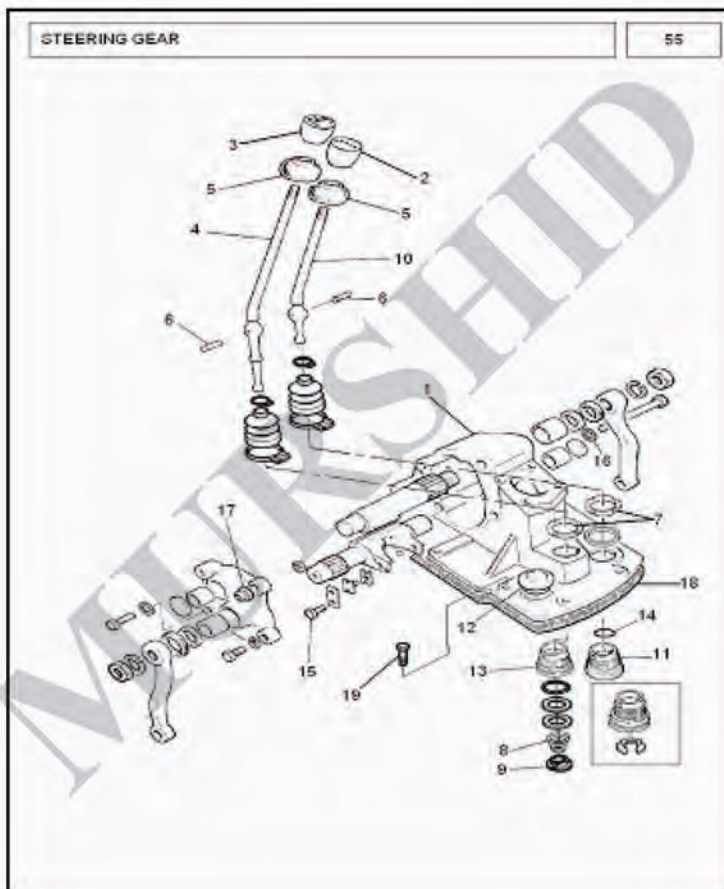
MF260



<u>ITEM</u>	<u>CKD</u>	<u>LocalPartNo</u>	<u>QTY</u>	<u>Description</u>	<u>Source</u>
1	3774838M1	16035	1	STEERING - WHEEL (OLD NO. 16003)	L
2	3774841M91	16036	1	CAP & MOTIF (OLD NO. 16024)	L
3	966461M1	16037	1	NUT STEERING WHEEL	L
4	827210M1	16006	1	FELT WASHER	L
5	1441664X1	16029	1	FLAT WASHER M16	L
6	1864867M1	16002	1	COVER STRG.COULMN	L
7	200191M1	11076	1	LUBRICATOR	L
8	1863359M1	16027	1	STEERING GROMMET	L

STEERING GEAR

MF260

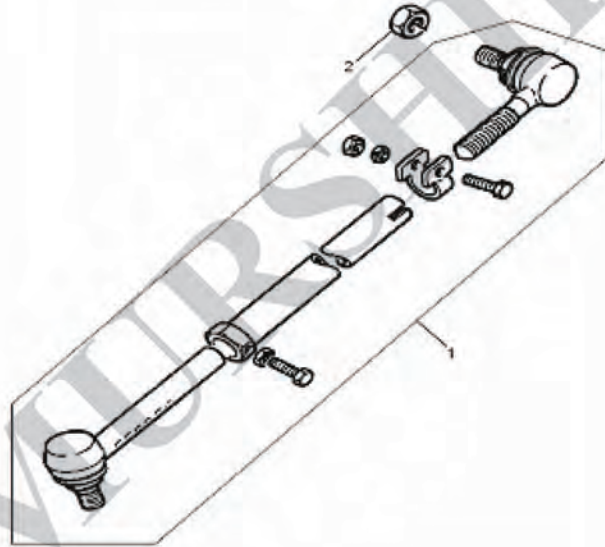


ITEM	CKD	LocalPartNo	QTY	Description	Source
1	1673663M91	16005	1	ASSY STEERING GEAR	L
2	N/A	16039	1	KNOB GEAR SHIFT LEVER	L
3	N/A	16040	1	KNOB GEAR PLANETARY SHIFT LEVER	L
4	1688964M1	16009	1	GEAR SHIFT LEVER	L
5	180579M3	16013	2	COVER SHIFT LEVER	L
6	180581M1	16011	2	PIN	L
7	827211M1	16012	2	LOCKING-RING	L
8	192007M1	16038	1	SPRING GEAR SHIFTER	L
9	1861024M1	16025	1	SEAT SPRING	L
10	1689028M1	16010	1	LEVER PLAN. SHIFT	L
11	1694128M2	473010	1	CUP PLANETARY SHIFT	L
12	768300M1	16020	1	PLUG-FILLER	L
13	827690M1	16008	1	CUP	L
14	831527M1	473011	1	O-RING	L
15	353502X1	13028	2	SCREW 1/4-28 x 3/4	L
16	353760X1	14035	1	WASHER FLAT5/8	L
17	376450X1	10084	1	LOCK NUT 5/8	L
18	180511M1	47002	1	GASKET SHIFT TOWER	L
19	353699X1	47004	8	BOLT 7/16 - 14 L. 1.12	L

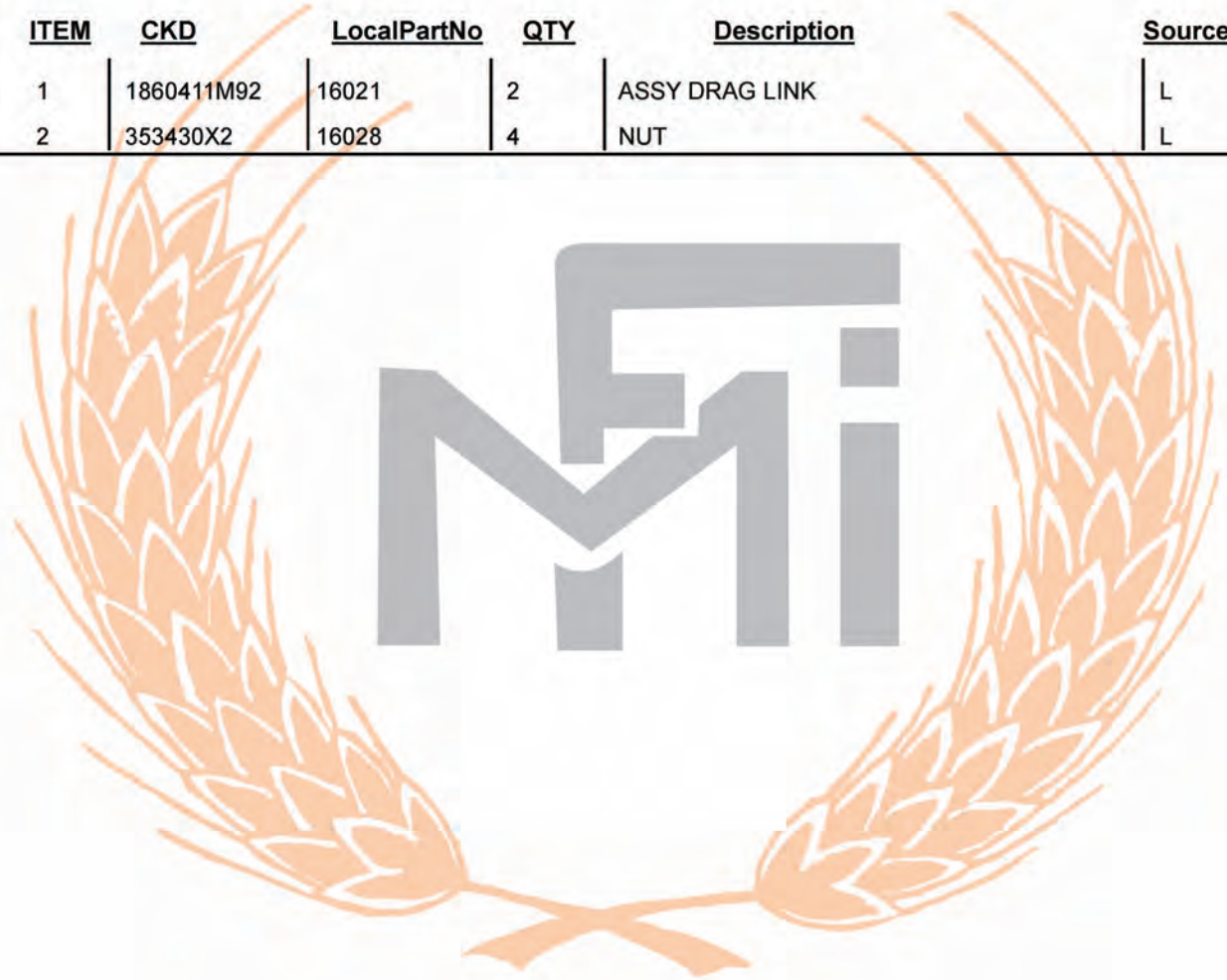
STEERING LINKAGE**MF260**

STEERING LINKAGE

56



<u>ITEM</u>	<u>CKD</u>	<u>LocalPartNo</u>	<u>QTY</u>	<u>Description</u>	<u>Source</u>
1	1860411M92	16021	2	ASSY DRAG LINK	L
2	353430X2	16028	4	NUT	L

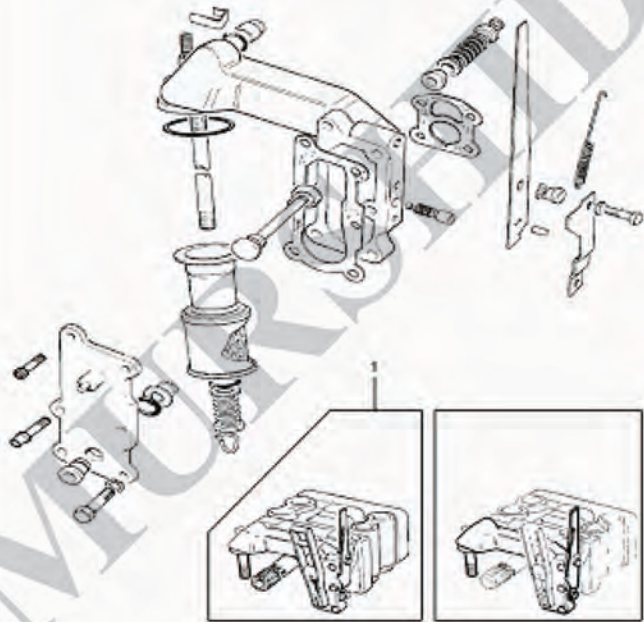


HYDRAULIC PUMP - STRAINER UNIT

MF260

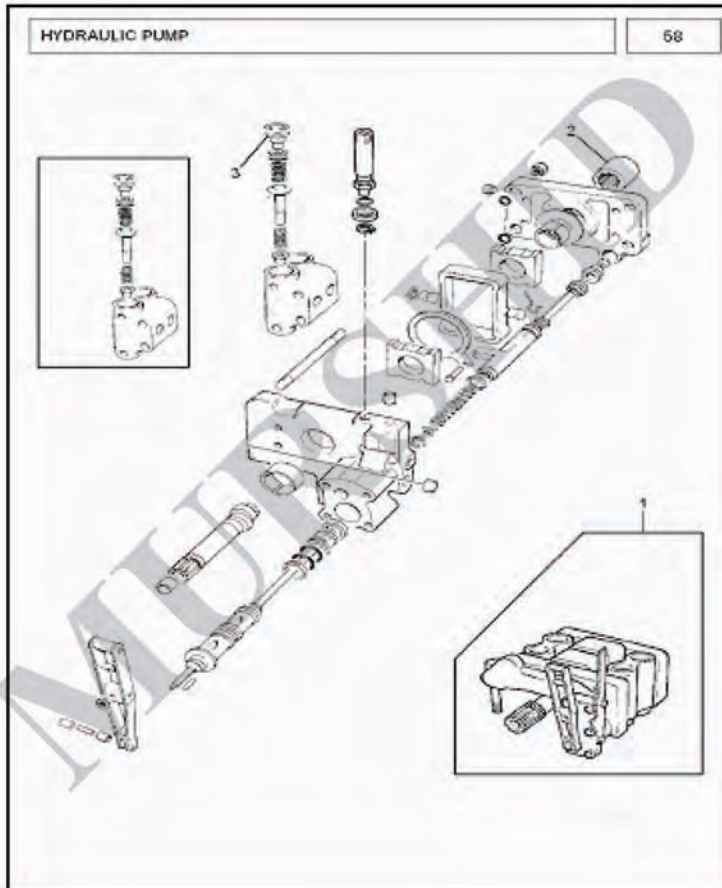
HYDRAULIC PUMP - STRAINER UNIT

57



<u>ITEM</u>	<u>CKD</u>	<u>LocalPartNo</u>	<u>QTY</u>	<u>Description</u>	<u>Source</u>
1	3761332M91	103140	1	ASSY. HYDRAULIC PUMP	I



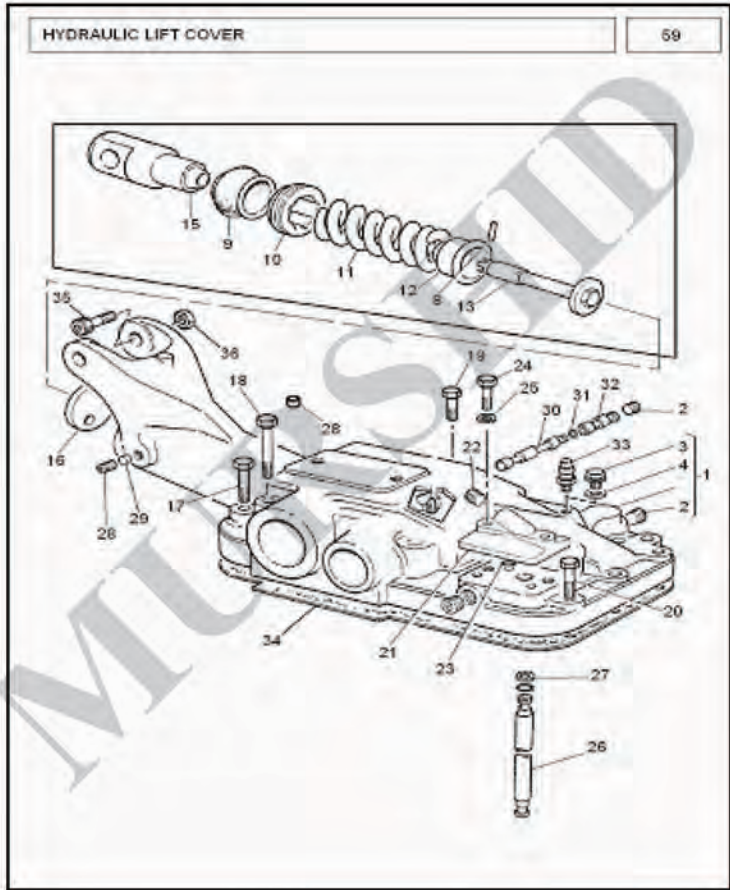
HYDRAULIC PUMP**MF260**

<u>ITEM</u>	<u>CKD</u>	<u>LocalPartNo</u>	<u>QTY</u>	<u>Description</u>	<u>Source</u>
1	3761332M91	103140	1	ASSY. HYDRAULIC PUMP	I
2	1868538M4	27002	1	COUPLER PTO	L
3	376722X1	25004	4	WASHER LOCK 1/2	L



HYDRAULIC LIFT COVER

MF260



<u>ITEM</u>	<u>CKD</u>	<u>LocalPartNo</u>	<u>QTY</u>	<u>Description</u>	<u>Source</u>
1	3612130M91	26200	1	ASSY. HYD. LIFT COVER	L
2	825031M2	26002	3	PLUG 3/8 - 18 N.P.T.F.	L
3	826237M1	26003	1	PLUG 3/8 NPSM x 18 T.P.I.	L
4	826238M1	26004	1	BONDED SEAL	L
5	886549M2	26081	1	GASKET	L
6	363593X1	26101	2	SCREW 1/2-20 UNF-3A L. 1-3/8	L
7	363650X1	26108	2	LOCK NUT 1/2-20	L
8	195573M1	26123	2	PIN GORVED	L
9	887654M2	26061	2	BOOT RUBBER	L
10	180979M2	26060	2	NUT	L
11	182582M1	26112	2	SPRING - 7500 L	L
12	886351M1	26057	2	SEAT CONTROL SPRING	L
13	886348M2	26056	2	PLUNGER CONTROL SPRING	L
14	180982M1	26062	1	PLUG-RUBBER	L
15	1863389M1	263271	1	HEAD CONTROL SPRING	L
16	180981M1	26063	1	DISC COVERLOAD STOP	L
17	377144X1	26097	2	BOLT 7/16-14 UNC-2A L.77.8/79.4	L
18	377145X1	26098	5	BOLT 7/16-14 UNC-2A L.104.8/103.2	L
19	377143X1	26095	3	BOLT 7/16-14 UNC-2A L. 52.4/54.0	L
20	376805X1	26102	2	BOLT 7/16-14 UNC-2A L.46.0/47.6	L
21	180908M1	26066	1	CAP LIFT COVER	L
22	195567M1	26124	2	PLUG	L
23	195561M1	26113	3	O RING	L
24	377824X1	50013	2	BOLT 7/16 - 14 UNC - 2A L.35MM	L
25	376721X1	10268	2	WASHER 7/16	L
26	898229M1	26089	1	STAND PIPE	L
27	195874M1	26126	2	WASHER BACKUP 3/8 THICK. 0.029	L
28	355286X1	26122	2	HEX. SKT. SETSCREW 5/16-18 UNC3A	L
29	882451M1	26118	1	PLUG LOCKING	L

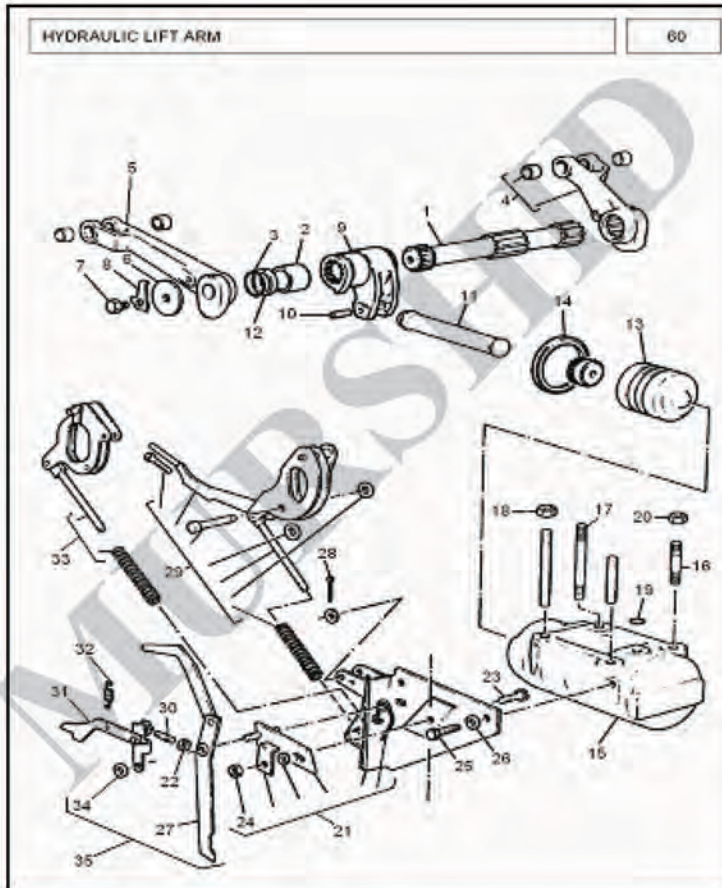
MURSHID

30	898305M1	26033	1	SHAFT PIVOT	L
31	898306M1	26034	1	SNAP RING	L
32	898307M1	26036	1	COLLAR	L
33	182099M91	26008	1	BREATHER ASSY	L



HYDRAULIC LIFT ARM

MF260



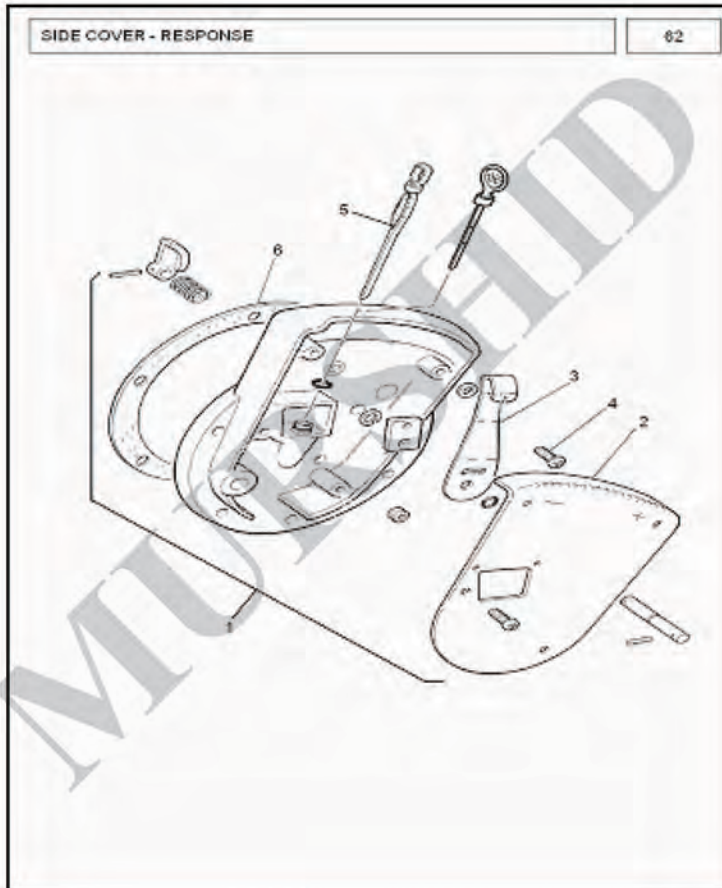
ITEM	CKD	LocalPartNo	QTY	Description	Source
1	897567M3	26011	1	SHAFT HYD. LIFT	L
2	3611558M1	26109	2	BEARING LIFT SHAFT	L
3	3000789X1	26117	2	O RING	L
4	1680040M91	263070	2	ASSY ARM HYDRAULIC LIFT	L
5	885444M91	26021	2	ASSY ARM HYD LIFT	L
6	897580M2	26024	2	WASHER - LIFT ARM	L
7	361526X1	26096	2	BOLT 7/16-20 L. 1	L
8	897581M3	26093	2	CLIP -LICKING	L
9	3610357M1	26012	1	ARM LIFT RAM	L
10	354039X1	26110	1	PIN COTTER	L
10	371925X1	26121	1	COILED SPRING PIN	L
11	3610356M2	26028	1	ROD - CONNECTING	L
12	3611557M1	26091	2	RING SPACER	L
13	1693921M93	263052	1	PISTON & CUP ASSY	L
13	2528785K92	26016	1	ASSY PISTON & CUP	L
14	3761473M1	263057	1	O-RING	L
14	3761475M1	26114	1	O RING	L
14	3761476M1	263056	1	PTFE SEAL	L
14	3761478M1	26115	1	PTFE SLIP SEAL	L
15	3599859M1	263058	1	CYLINDER HYDRAULIC	L
15	3599900M1	26015	1	CYLINDER HYDRAULIC	L
16	1667580M1	26107	2	FRONT STUD 9/16 - 18 UNF - 3A	L
17	1693939M2	26105	2	STUD 5/8 - 18 UNF - 3A	L
18	377641X1	26100	2	NUT 5/8 - 18 UNF - 2B	L
19	195562M1	26116	1	O RING	L
20	377765X1	26103	2	NUT 9/16 - 18 - 2B	L
21	1661547M92	26043	2	ASSY.CAM POSITION	L
22	354120X1	26099	2	NUT 10 - 24	L
23	353518X1	233230	3	SCREW 5/16 24X7/8	L

24	353916X1	34017	1	NUT 5/16 - 24	L
25	362429X1	26031	2	SCREW 3/8 -16X5/8	L
26	22764X	26120	2	WASHER 3/8	L
27	1869093M93	26044	1	ASSY. LEVER & CAM	L
28	354039X1	26110	1	PIN COTTER	L
29	1660324M91	26039	1	ASSY. LINK	L
30	898153M2	26104	1	SET SCREW 10 - 24 UNC - 3A L.22.2	L
31	1661547M92	26043	1	ASSY.CAM POSITION	L
32	898137M1	26125	1	SPRING	L
33	1661918M91	26042	1	ASSY. LINK	L
34	355616X1	26106	1	WASHER NO. 10	L
35	1870190M92	26030	1	ASSY.- BRKT. LEVER SUPPORT	L

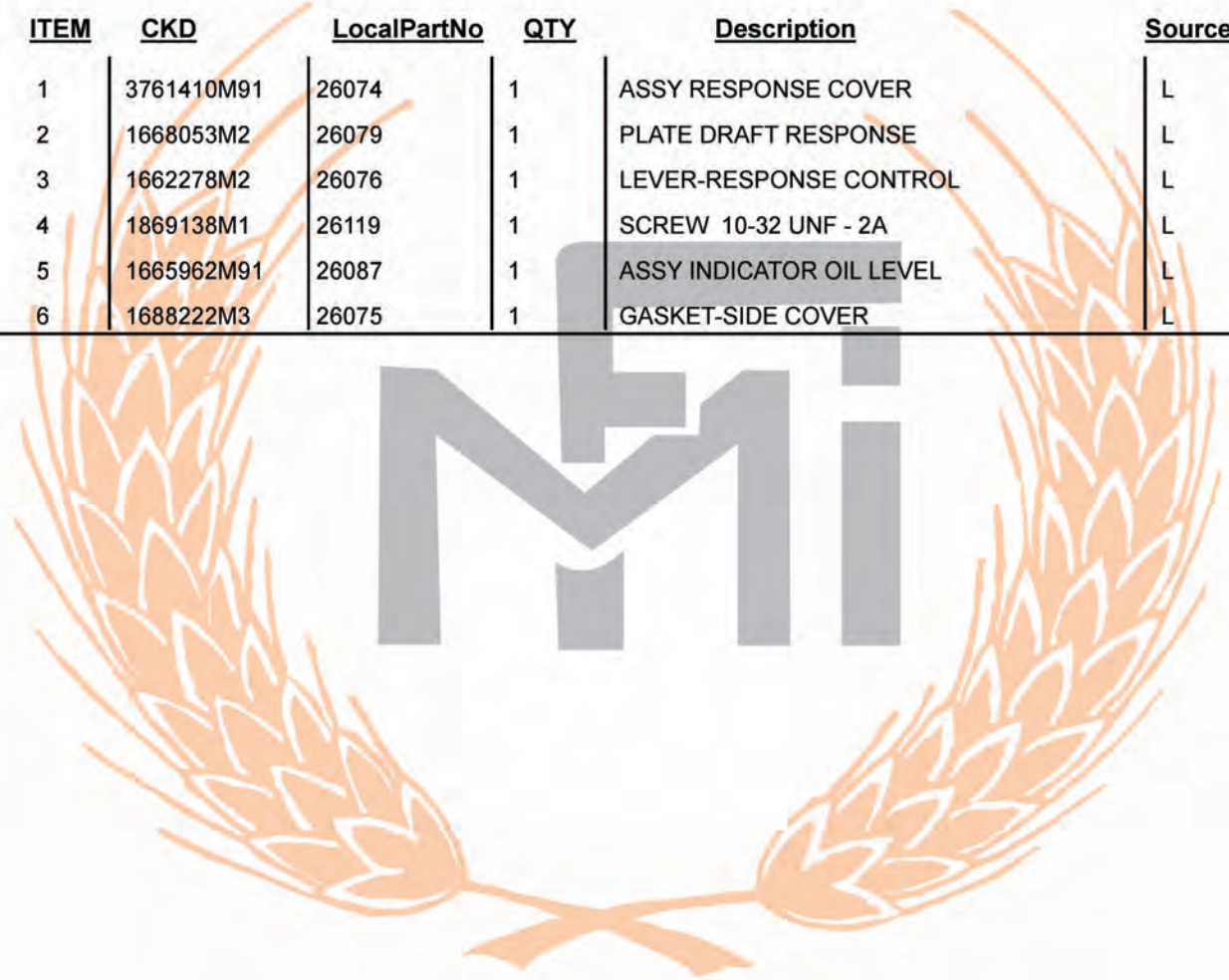
DRAFT & POSITION CONTROLS

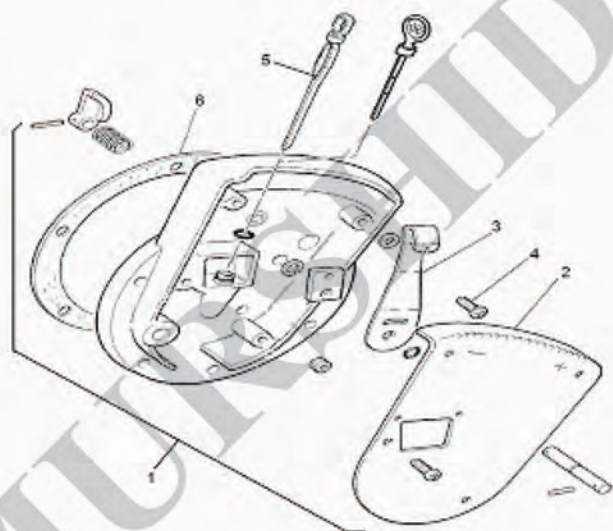
MF260

<u>ITEM</u>	<u>CKD</u>	<u>LocalPartNo</u>	<u>QTY</u>	<u>Description</u>	<u>Source</u>
1	1870361M91	26052	1	ASSY-QUADRANT	L
1	3611464M91	26052	1	ASSY-QUADRANT	L
2	353536X1	183139	1	SCREW 3/8 24 X3/4	L
3	353434X1	10075	2	WASHER LOCK 3/8"	L
4	353756X1	11006	2	WASHER FLAT 3/8	L
5	353918X1	13025	2	NUT 1/4-28	L
6	353754X1	14048	3	WASHER-FLAT 1/4	L
7	1869074M1	26090	1	PIN	L
8	195561M1	26113	1	O RING	L
9	391038X1	163151	1	WASHER-FLAT M6	L
11	1869075M1	26127	1	SPRING	L

SIDE COVER - RESPONSE**MF260**

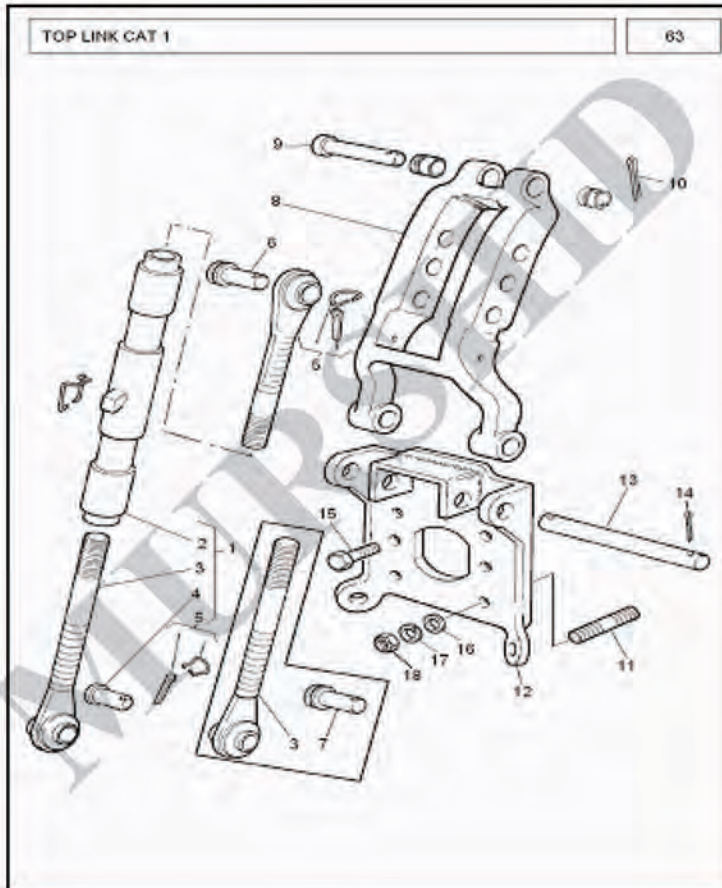
<u>ITEM</u>	<u>CKD</u>	<u>LocalPartNo</u>	<u>QTY</u>	<u>Description</u>	<u>Source</u>
1	3761410M91	26074	1	ASSY RESPONSE COVER	L
2	1668053M2	26079	1	PLATE DRAFT RESPONSE	L
3	1662278M2	26076	1	LEVER-RESPONSE CONTROL	L
4	1869138M1	26119	1	SCREW 10-32 UNF - 2A	L
5	1665962M91	26087	1	ASSY INDICATOR OIL LEVEL	L
6	1688222M3	26075	1	GASKET-SIDE COVER	L



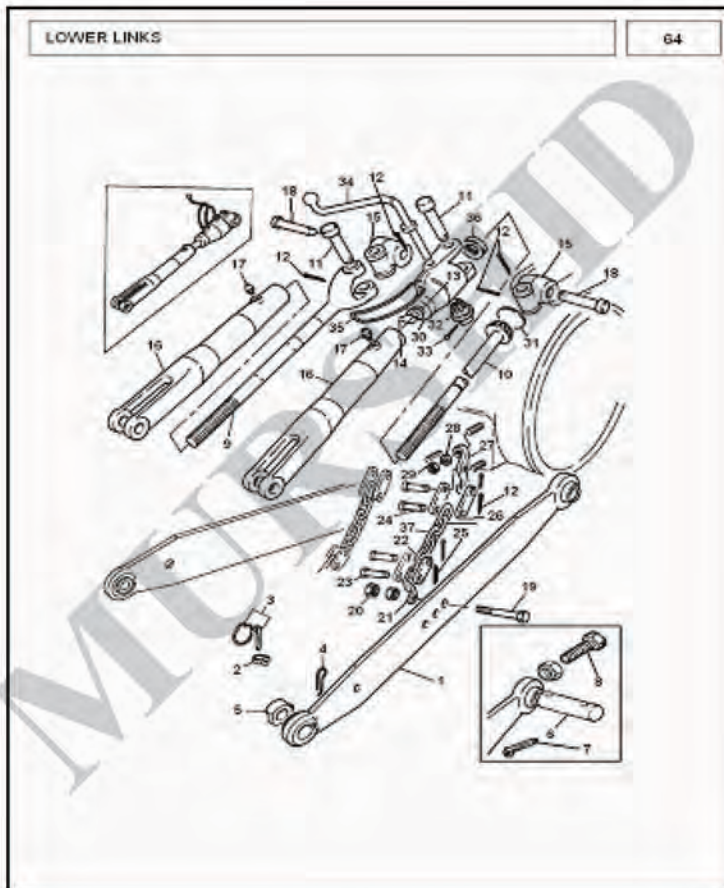


TOP LINK CAT 1

MF260



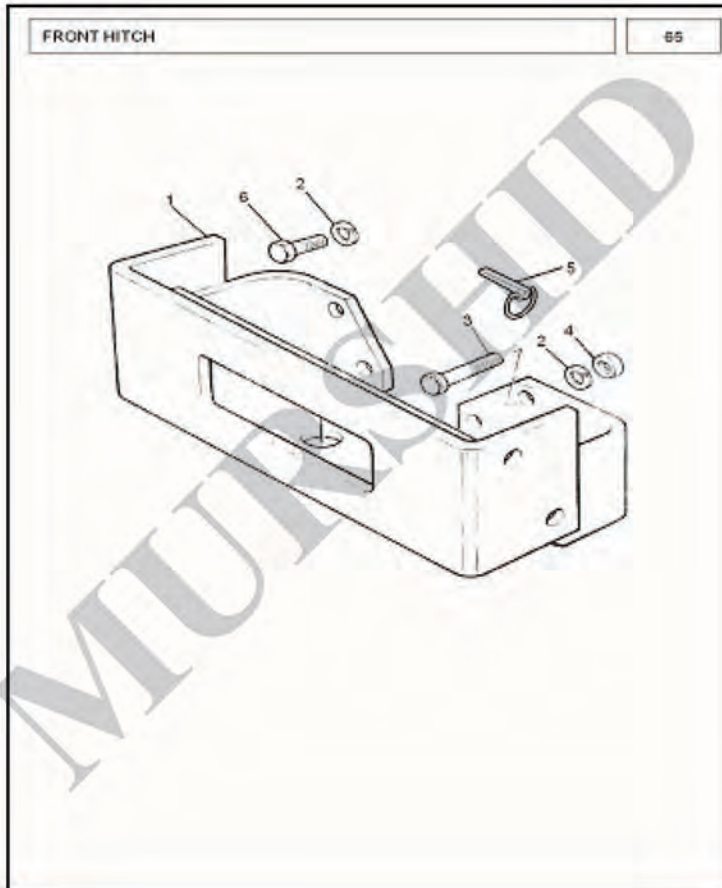
<u>ITEM</u>	<u>CKD</u>	<u>LocalPartNo</u>	<u>QTY</u>	<u>Description</u>	<u>Source</u>
1	893439M91	253091	1	ASSY TOP LINK	L
2	184225P91	25023	1	ASSY TUBE TOP LINK	L
3	183615M93	25030	1	ASSY END IMPLEMENT CAT 2	L
3	183619M92	253180	1	ASSY. - END TO P LINK	L
4	831513M1	25027	1	PIN RETAINER CAT-I	L
5	810285M92	25028	2	PIN & RING ASSY	L
6	195589M1	25034	1	PIN-CLEVIS	L
7	892476 M1	25031	2	PIN CLEVIS	L
8	1863391M2	253032	1	BEAM	L
9	1694024M1	253033	1	PIN-CLEVIS	L
10	354068X1	14092	1	PIN COTTER	L
11	1860900M2	10002	4	STUD 1/2-13 UNC1/2-20 UNF-3A L66.7	L
12	1862846M95	253001	1	BRACKET CONTROL BEAM	L
13	1867294M2	253020	1	PIN CONTROL BEAM	L
14	354089X1	253170	1	PIN COTTER	L
15	377824X1	50013	2	BOLT 7/16 - 14 UNC - 2A L.35MM	L
16	1869272M1	253005	4	SPACER	L
17	353773X1	34064	4	FLAT WASHER 1/2	L
18	373569X1	N/A	4	NUT 1/2"-20 UNF	L



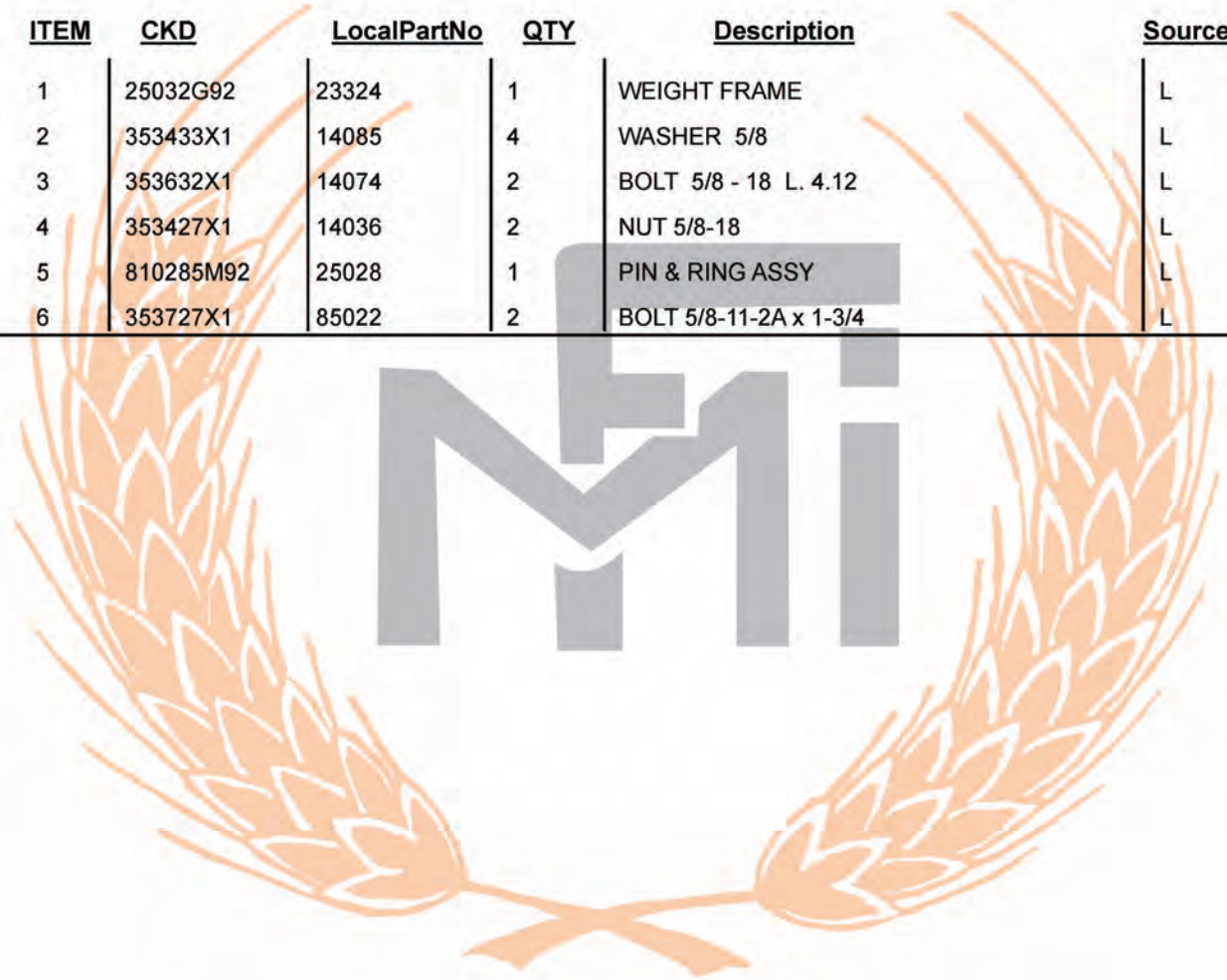
ITEM	CKD	LocalPartNo	QTY	Description	Source
1	1863435P95	255004	2	ASSY. LOWER LINK	L
2	1869218M1	25036	2	CLIP	L
3	810285M92	25028	1	PIN & RING ASSY	L
4	1869219M1	25313	2	CLIP	L
5	886428M1	25039	2	BALL - CAT.1	L
5	886429M1	25041	2	BALL CAT.2 LOWER LINK	L
6	1695314M1	253140	2	SHAFT - LOWER LINK	L
7	354101X1	253142	4	PIN COTTER	L
8	1860725M2	253133	2	SCREW - STOP	L
9	897655M92	253071	1	ASSY YOKE	L
10	1860833M1	253046	1	SHAFT-GEAR	L
11	1694024M1	253033	2	PIN-CLEVIS	L
12	354066X1	25019	14	PIN COTTER	L
13	1860834M2	253047	1	THRUST WASHER	L
14	352438X1	253048	1	CIRCLIP	L
15	897653M1	253056	2	KNUCKLE	L
16	893405M3	253049	2	FORK LIFT ROD	L
17	200191M1	11076	2	LUBRICATOR	L
18	1694025M1	253059	2	PIN-CLEVIS	L
19	1863267M1	25057	2	BOLT SPECIAL 5/8 - 18 UNF - 2A	L
19	894034M1	233130	2	BOLT	L
20	353429X1	25141	4	NUT-JAM 5/8-18	L
20	353435X1	253131	2	NUT LOCK 3/4 x 16	L
20	353436X1	253132	2	NUT-LOCK 3/4 16	L
21	184368M1	25052	2	BRACKET	L
21	894029M1	253151	2	BRACKET	L
22	1865194M1	253158	4	LINK -CHECK CHAIN	L
22	1866324M1	25049	4	LINK CHECK CHAIN	L
23	195405M1	253153	4	CLEVIS - PIN	L

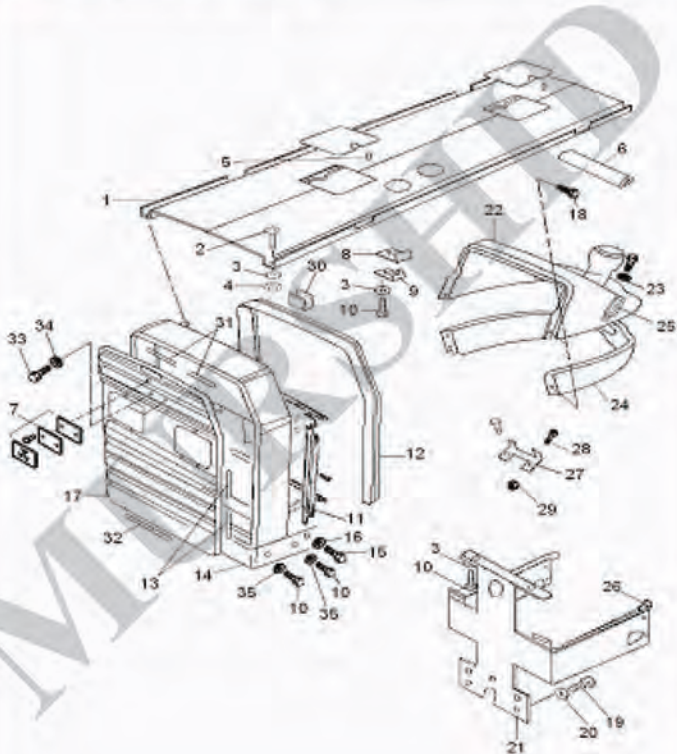
MURSHID

24	377415X1	253160	8	PIN -CLEVIS	L
25	195415M1	25054	4	PIN - HAIR	L
26	1863283M1	25045	4	LINK CHECK CHAIN	L
26	888524M1	253152	4	LINK	L
27	897911M1	25002	1	ANCHOR CHECK CHAIN	L
27	897912M1	25003	1	ANCHOR CHECK CHAIN	L
28	353439X1	34005	4	WASHER-LOCK 1/2	L
29	363627X1	25006	4	NUT 1/2-20	L
30	1860829M2	253043	1	LEVELLING BOX	L
30	193181M1	25005	1	BOX-LEVELLING	L
31	195644M1	25317	1	PLUG	L
32	181345M2	25011	1	GEAR LEVELLING	L
33	195648M1	25315	1	REVIT	L
34	1662382M1	25012	1	LEVER LEVELLING	L
35	193092M1	25015	1	RING LOCKING	L
36	183630M1	253044	2	RACE-THRUST	L
36	195457M1	25316	1	BEARING	L
36	831263M1	253045	1	BEARING	L
37	893410M1	253156	2	CHECK - CHAIN	L

FRONT HITCH**MF260**

<u>ITEM</u>	<u>CKD</u>	<u>LocalPartNo</u>	<u>QTY</u>	<u>Description</u>	<u>Source</u>
1	25032G92	23324	1	WEIGHT FRAME	L
2	353433X1	14085	4	WASHER 5/8	L
3	353632X1	14074	2	BOLT 5/8 - 18 L. 4.12	L
4	353427X1	14036	2	NUT 5/8-18	L
5	810285M92	25028	1	PIN & RING ASSY	L
6	353727X1	85022	2	BOLT 5/8-11-2A x 1-3/4	L



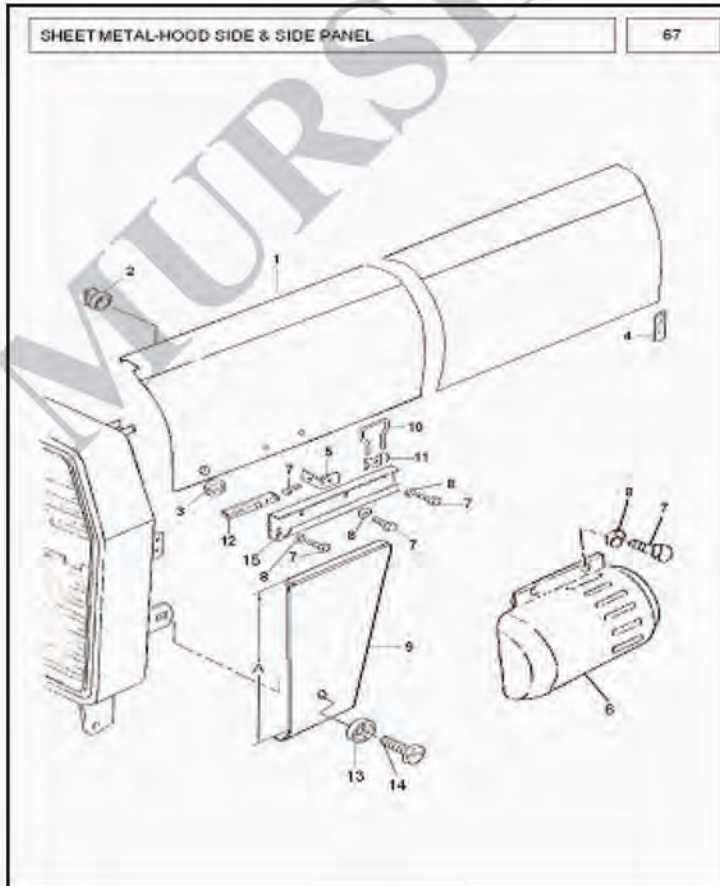


ITEM	CKD	LocalPartNo	QTY	Description	Source
1	3614689P91	235001	1	HOOD ASSEMBLY	L
2	385368X1	23194	4	CARR. BOLT M8x13(385368X1 MF-375)	L
3	390892X1	25305	8	PLAIN WASHER M-8	L
4	390679X1	25304	4	NUT M-8	L
5	897892M1	23137	4	HOOD DAMPER	L
6	1672800M1	23149	1	BEADING SEAL (HOOD)	L
7	3580033M1	23142	1	BADGE ASSY	L
8	1694819M3	23096	4	KEEPER HING(1694819M3 MF-375)	L
9	1694914M3	23097	4	BRACKET HING (1694914M3 MF-375)	L
10	339124X1	163070	10	SCREW M8X16MM	L
11	1672717P2	21051	1	BRACKET RADIATOR RH	L
11	1672718P2	21052	1	BRACKET RADIATOR LH	L
12	3697716M1	23201	1	MOULDING FRONT	L
13	1686414M1	23322	2	SEALING STRIP	L
14	1682961M93	23089	1	WRAPPER ASSY	L
15	353901X1	253040	2	BOLT 5/8-11X1.1/4(353901X1 MF375)	L
16	353760X1	14035	2	WASHER FLAT5/8	L
17	1687819M91	23022	1	ASSY GRILL	L
18	339123X1	23193	4	PAN HD SCW M8X20(339123X1 MF-37)	L
19	0746355	18543	5	SCREW	L
20	0920053	18583	5	WASHER	L
21	N/A	23309	1	BRACKET MULTIPLE	L
22	1683524P93	23040	1	INSTRUMENT PANEL LOWER	L
23	353754X1	14048	2	WASHER-FLAT 1/4	L
24	886792P1	23039	1	INSTRUMENT PANEL UPPER	L
25	N/A	29033	2	SPACER INST. PANEL	L
26	N/A	23317	2	BOOTSTAY HOOD	L
27	1683864M1	23144	1	BRACKET FUSE BOX	L
28	187137M1	23047	2	SCREW 10 - 32 UNF - 2A	L

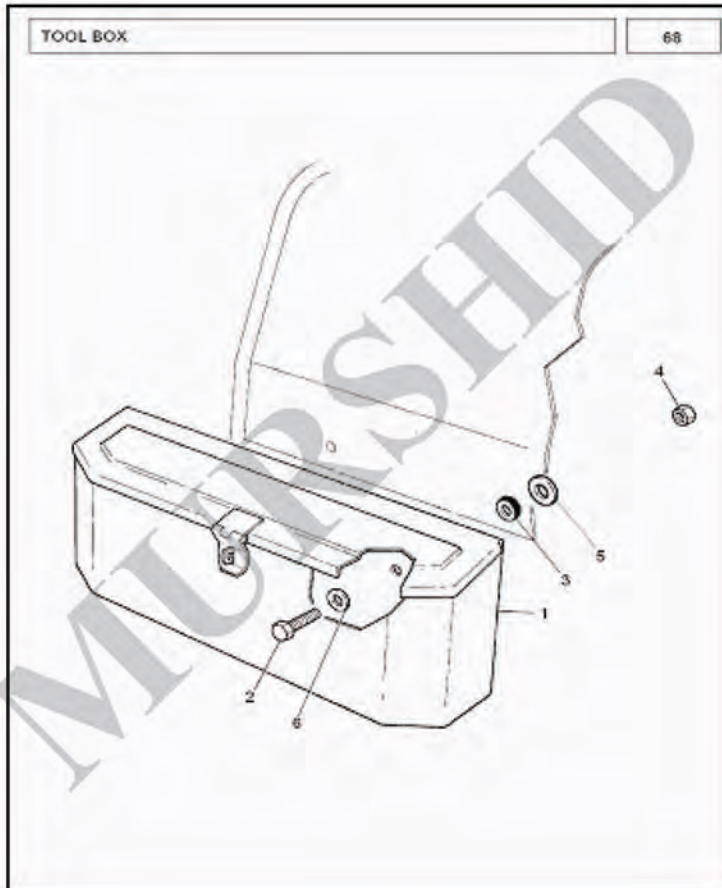
29	357515X1	23048	2	NUT 10 - 32	L
30	N/A	23202	4	CLIP MOULDING WRAPPER	L
31	1686412M1	23320	2	SEALING STRIP	L
32	1686413M1	23321	1	SEALING STRIP	L
33	N/A	23326	1	BOLT	L
34	N/A	23327	1	Washer Front Grill Bolt	L
35	355617X1	23007	4	WASHER-FLAT 1/4	L

SHEET METAL - HOOD SIDE & SIDE PENALS

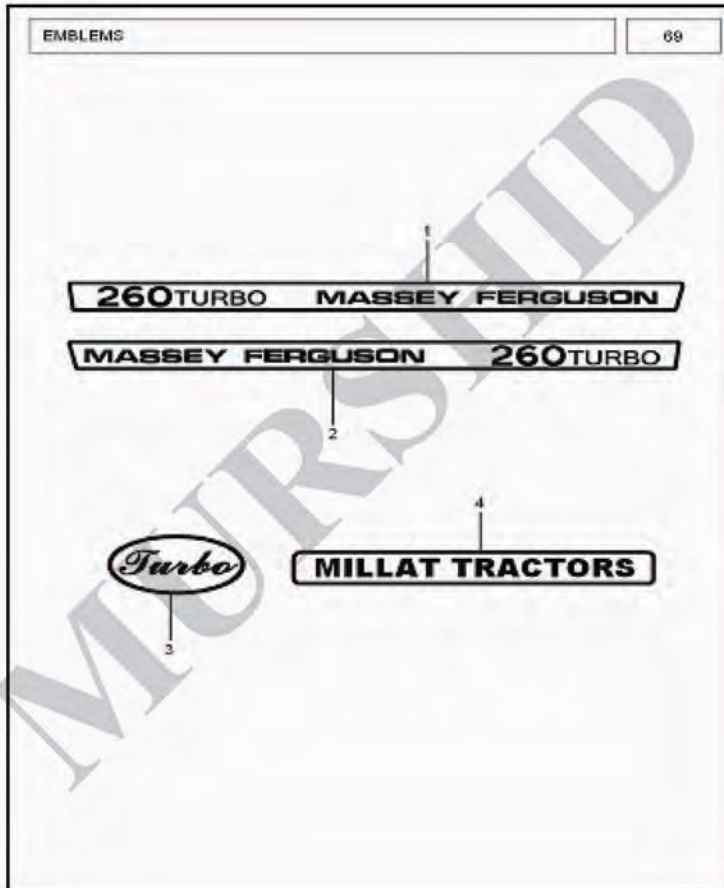
MF260



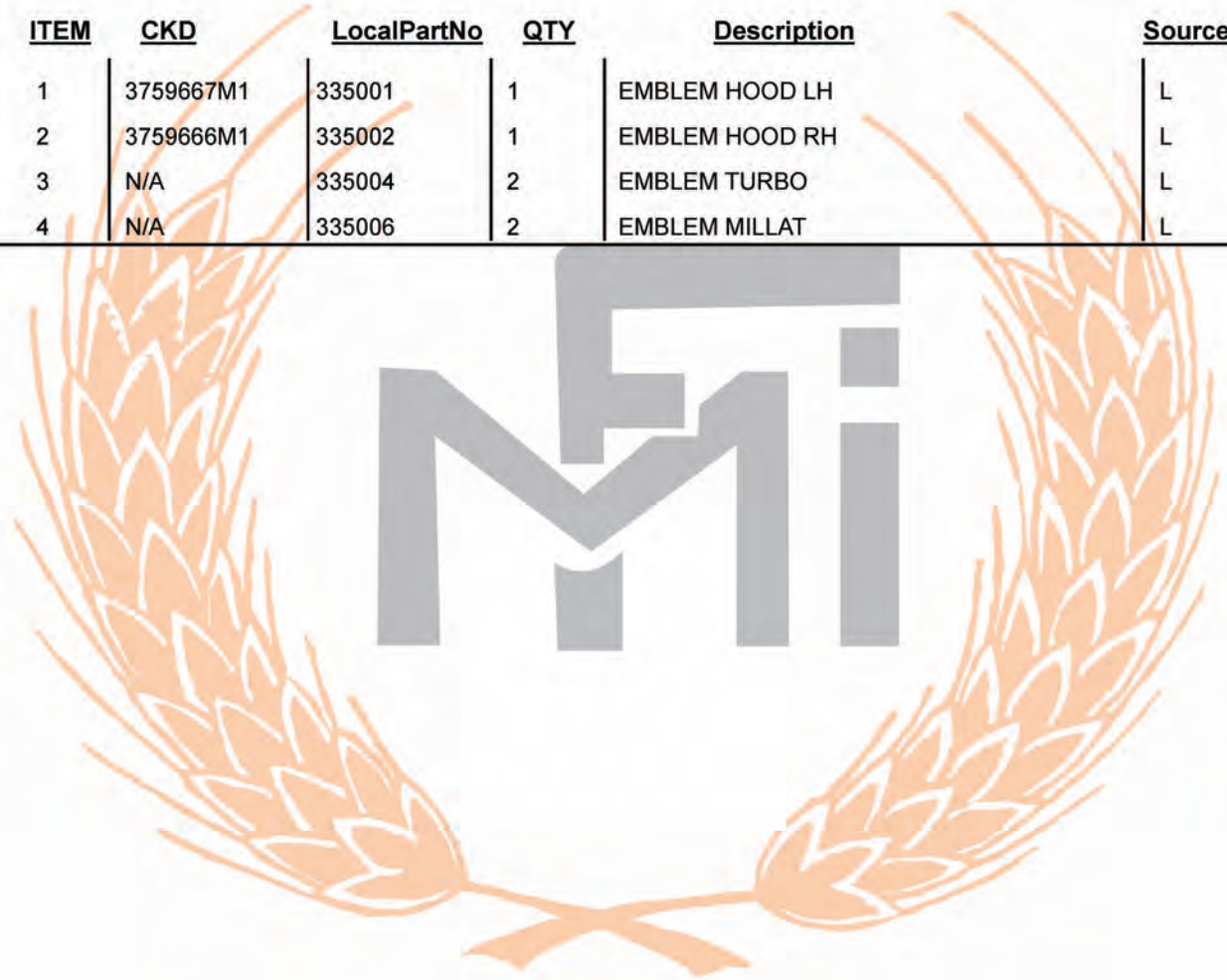
<u>ITEM</u>	<u>CKD</u>	<u>LocalPartNo</u>	<u>QTY</u>	<u>Description</u>	<u>Source</u>
1	3614689P92	235005	1	HOOD SIDE LH	L
1	3614689P93	23312	1	HOOD SIDE RH (POA 23086)	L
2	1693952M2	23127	4	FASTNER	L
3	1693951M3	23126	4	CAM FASTNER	L
4	1672801M1	23150	2	EDGING SEAL	L
5	N/A	18212	2	BRACKET RADIATOR	L
6	N/A	235004	1	GUARD TURBO	L
7	339124X1	163070	12	SCREW M8X16MM	L
8	390892X1	25305	10	PLAIN WASHER M-8	L
9	1672717P21	23315	1	PLATE SIDE LH	L
9	1672718P21	23316	1	PLATE SIDE RH	L
10	1694817M1	233080	2	CATCH	L
11	1694816M91	23134	2	CLAMP CATCH	L
12	3611645M1	23319	4	EDGING SEAL	L
13	N/A	23200	2	NYLON WASHER	L
14	339123X1	23193	2	PAN HD SCW M8X20(339123X1 MF-37)	L
15	1695235M4	23313	1	SIDE CHAN. LH(1695235-M4 MF-375)	L
15	1695236M5	23314	1	SIDE CHAN. RH(1695236M5 MF-375)	L

TOOL BOX**MF260**

<u>ITEM</u>	<u>CKD</u>	<u>LocalPartNo</u>	<u>QTY</u>	<u>Description</u>	<u>Source</u>
1	909616P95	56001	1	ASSY.TOOL BOX	L
2	363316X1	99011	2	BOLT UNC 3/8 X 1	L
3	882690M1	56005	2	SPACER TOOL BOX	L
4	363622X1	99015	2	NUT 3/8	L
5	390972X1	163052	2	WASHER FLAT M8	L
6	390469X1	19312	6	FLAT WASHER M5	L

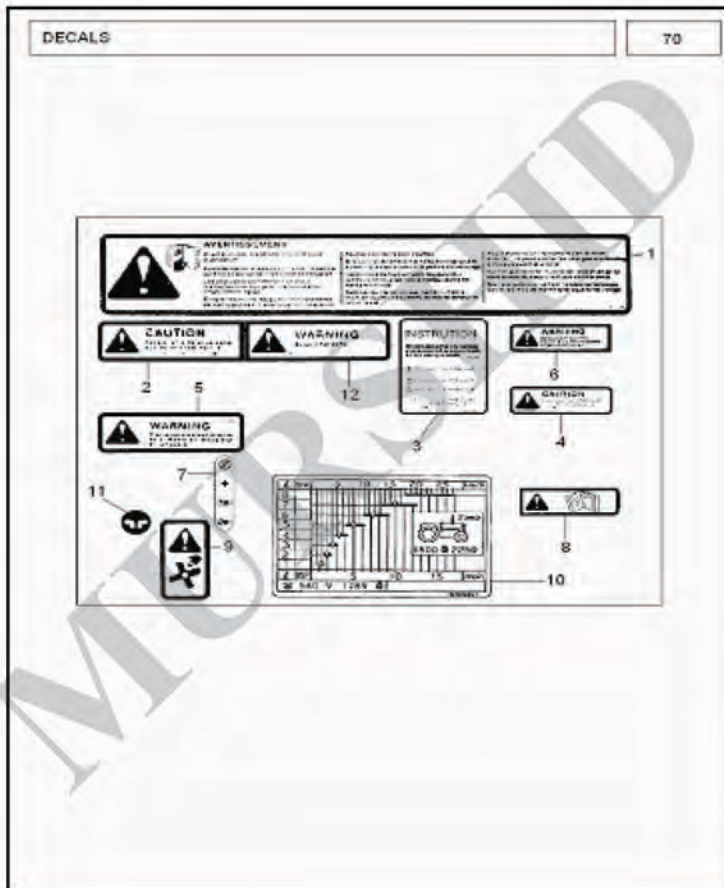
EMBLAMS**MF260**

<u>ITEM</u>	<u>CKD</u>	<u>LocalPartNo</u>	<u>QTY</u>	<u>Description</u>	<u>Source</u>
1	3759667M1	335001	1	EMBLEM HOOD LH	L
2	3759666M1	335002	1	EMBLEM HOOD RH	L
3	N/A	335004	2	EMBLEM TURBO	L
4	N/A	335006	2	EMBLEM MILLAT	L



DECALS

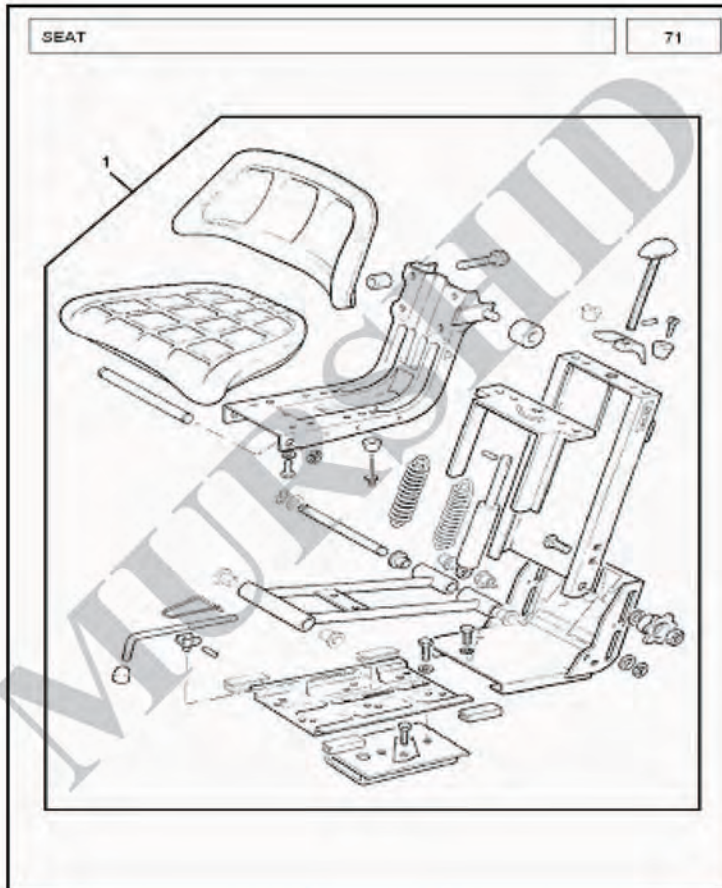
MF260



<u>ITEM</u>	<u>CKD</u>	<u>LocalPartNo</u>	<u>QTY</u>	<u>Description</u>	<u>Source</u>
1	3595675M3	33026	1	DECAL MAIN INSTR(3595675M3 MF375)	L
2	3596959M1	33025	1	DECAL BATTERY WARN. (3596959M1)	L
3	N/A	33801	1	DECAL SERVICE INST	L
4	3596761M1	33019	1	DECAL ELECT. (3596761M1 MF-375P)	L
5	3595685M1	33020	1	DECAL-RAD. CAP(3595685M1 MF-375P)	L
6	3596431M2	33021	1	DECAL FUEL TANK(3596431M2 MF-375)	L
7	3760644M1	29022	1	DECAL IGNITION SWITCH	L
8	3596649M2	33022	1	DECAL	L
9	3697199M1	33023	1	DECAL FAN RH(3697199M1 MF-375 P)	L
9	3697199M1	33024	1	DECAL FAN LH (3697199M1)	L
10	3698568M1	33018	1	DECAL SPEED	L
11	1875315M1	29025	1	EMBLEM TURN SIGNAL	L
12	N/A	23318	1	DECAL WARNING	L

DRIVER SEAT

MF260

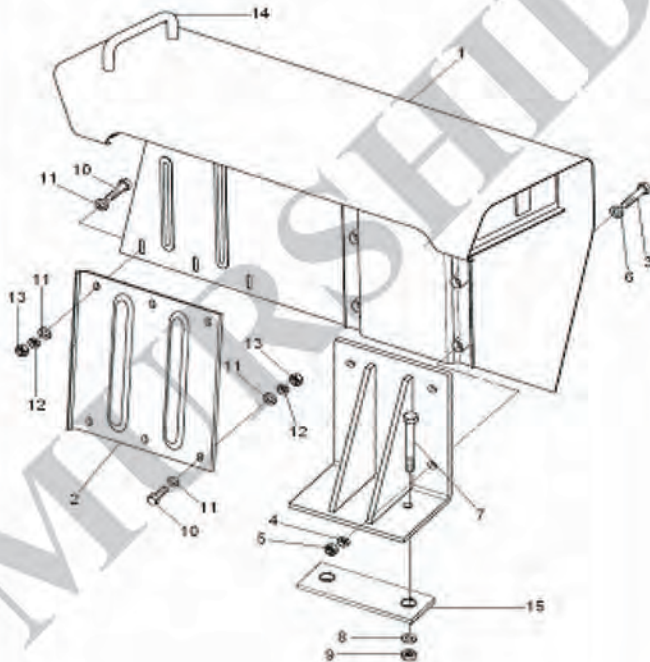


<u>ITEM</u>	<u>CKD</u>	<u>LocalPartNo</u>	<u>QTY</u>	<u>Description</u>	<u>Source</u>
1	1689031M91	22075	1	GRAMMER SEAT ASSY	L



FENDER AND SUPPORTS

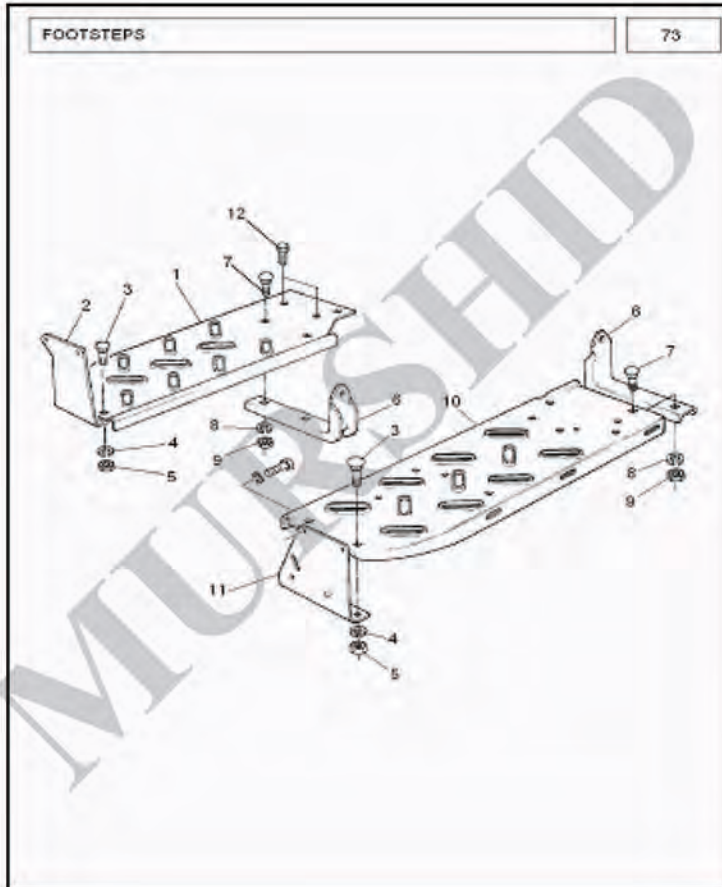
72



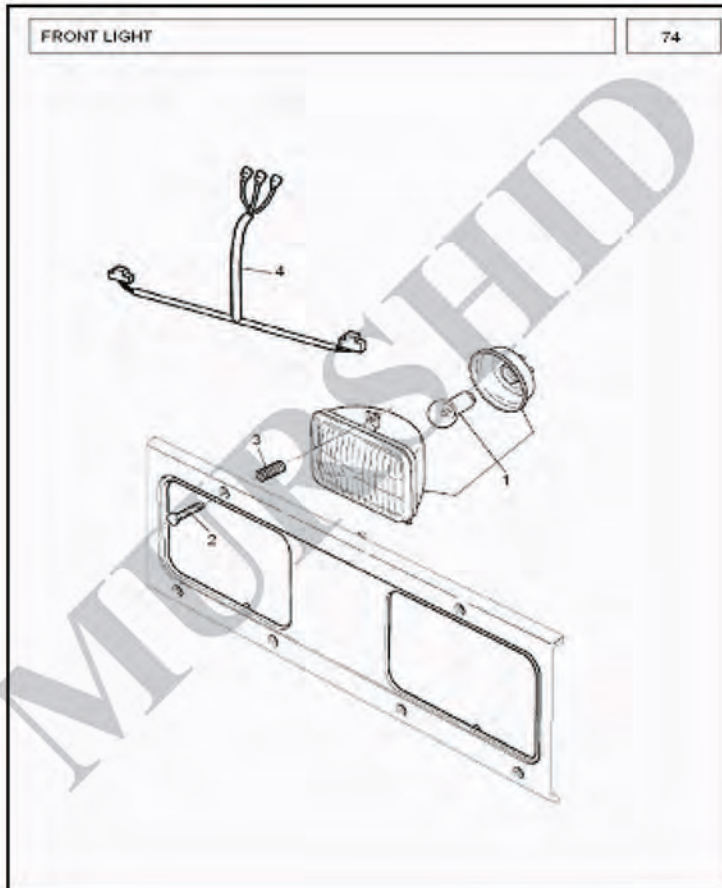
ITEM	CKD	LocalPartNo	QTY	Description	Source
1	1679373P94	345003	1	ASSY. FENDER RH	L
1	1679373P95	345002	1	ASSY FENDER LH	L
2	1675414P2	34168	1	PLATE EXT. FENDER LH	L
2	1676370P1	34169	1	PLATE EXT. FENDER RH	L
3	353887X1	34004	8	BOLT 1/2 -20 X 2.1/2	L
4	353439X1	34005	8	WASHER-LOCK 1/2	L
5	339054X1	343006	8	NUT- HEX 12MM	L
6	355621X1	34007	8	WASHER FLAT 1/2	L
7	373686X1	813032	4	BOLT 3/4 10X9.1/2	L
8	353775X1	813035	4	WASHER- HARDENED 3/4	L
9	375099X1	34008	4	NUT 5/8 -11	L
10	353517X1	34014	12	BOLT 5/16-24 X 3/4	L
11	390972X1	163052	24	WASHER FLAT M8	L
12	353446X1	19017	12	WASHER 5/16	L
13	353916X1	34017	12	NUT 5/16 - 24	L
14	N/A	34165	2	HOLDING HANDLE	L
15	N/A	815002	2	PLATE AXLE HOUSING	L

FOOT STEPS

MF260

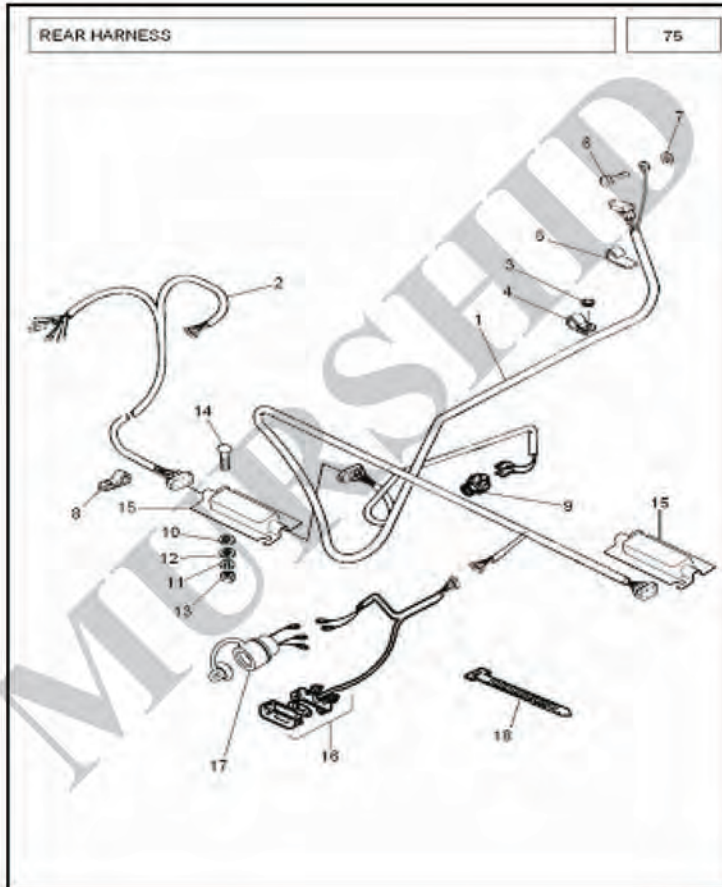


<u>ITEM</u>	<u>CKD</u>	<u>LocalPartNo</u>	<u>QTY</u>	<u>Description</u>	<u>Source</u>
1	880096P5	30001	1	STEP RH	L
2	892765M3	30002	1	SUPPORT	L
3	354241X1	30005	4	BOLT 1/4 - 28 L. 0.62	L
4	353441X1	13084	4	WASHER 1/4	L
5	353918X1	13025	4	NUT 1/4-28	L
6	881719M1	30008	3	BRACKET SUPPORT	L
7	353807X1	30006	4	BOLT 3/8 - 24 L. .88	L
8	353434X1	10075	4	WASHER LOCK 3/8"	L
9	353431X1	30011	4	NUT 3/8 - 24	L
10	892762P6	30003	1	STEP LH	L
11	1672744P2	30004	1	SUPPORT	L
12	361402X2	24033	2	BOLT	L

FRONT LIGHTS**MF260**

<u>ITEM</u>	<u>CKD</u>	<u>LocalPartNo</u>	<u>QTY</u>	<u>Description</u>	<u>Source</u>
1	1672766M91	35050	2	ASSY HEAD LAMP RH DIP	L
2	1860172M1	35053	6	HEAD LAMP SCREW 10 - 32 UNF - 2A	L
3	3771550M1	35054	6	SPRING HEAD LIGHT	L
4	1678405M91	34053	1	WIRE ASSY HEAD LAMP	L



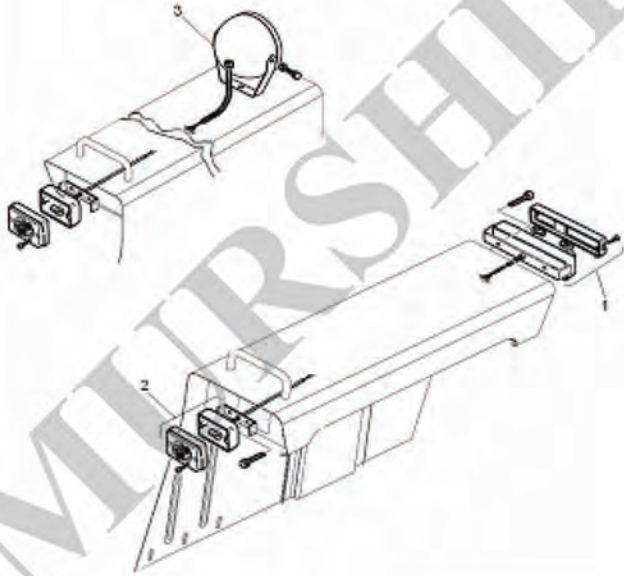
**REAR HARNESS****MF260**

<u>ITEM</u>	<u>CKD</u>	<u>LocalPartNo</u>	<u>QTY</u>	<u>Description</u>	<u>Source</u>
1	3613850M91	34016	1	ASSY HARNESS REAR	L
2	3613853M91	34026	1	ASSY HARNESS FENDER RH	L
2	3613854M91	34027	1	ASSY HARNESS FENDER LH	L
3	353772X1	22006	1	WASHER HARDENED 7/16	L
4	884518M1	34056	1	CLIP	L
5	1873860M1	34019	4	OPEN CLIP	L
6	353502X1	13028	1	SCREW 1/4-28 x 3/4	L
7	353754X1	14048	1	WASHER-FLAT 1/4	L
8	1680882M1	34055	2	CLIP	L
9	1687049M92	34024	1	ASSY SWITCH STOP LIGHT	L
10	353773X1	34064	2	FLAT WASHER 1/2	L
11	353434X1	10075	2	WASHER LOCK 3/8"	L
12	355619X1	11066	2	WASHER LARGE 3/8	L
13	353431X1	30011	2	NUT 3/8 - 24	L
14	353807X1	30006	2	BOLT 3/8 - 24 L. .88	L
15	N/A	24032	2	COVER HARNESS	L
16	1684833M91	34155	1	LAMP NO. PLATE	L
17	409965M1	34057	1	SOCKET 7 PIN	L
18	1670082M1	24064	1	STRAP	L

REAR LIGHTING EQUIPMENT**MF260**

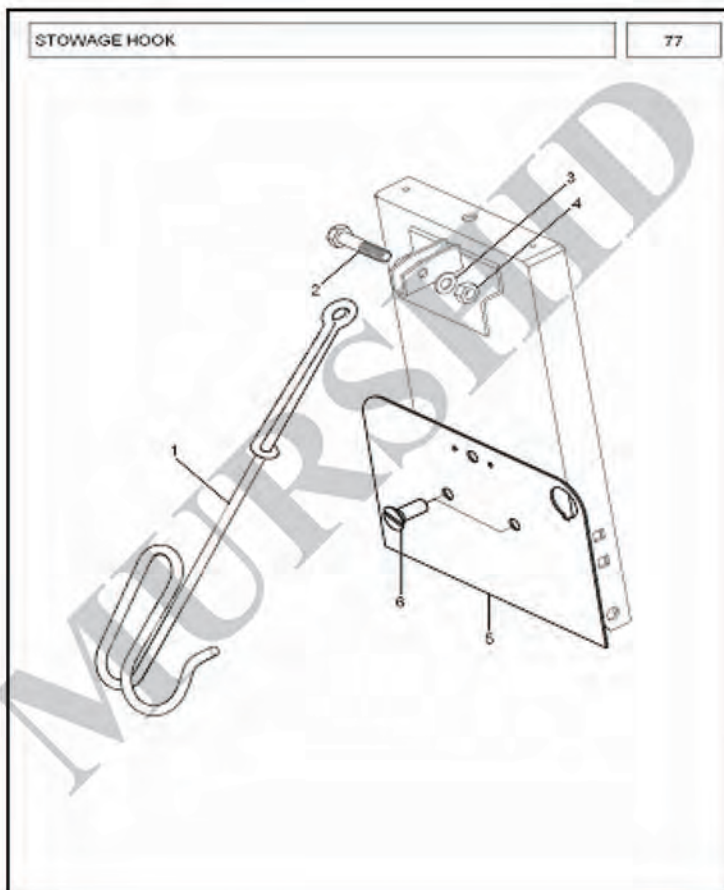
REAR LIGHTING EQUIPMENT

76

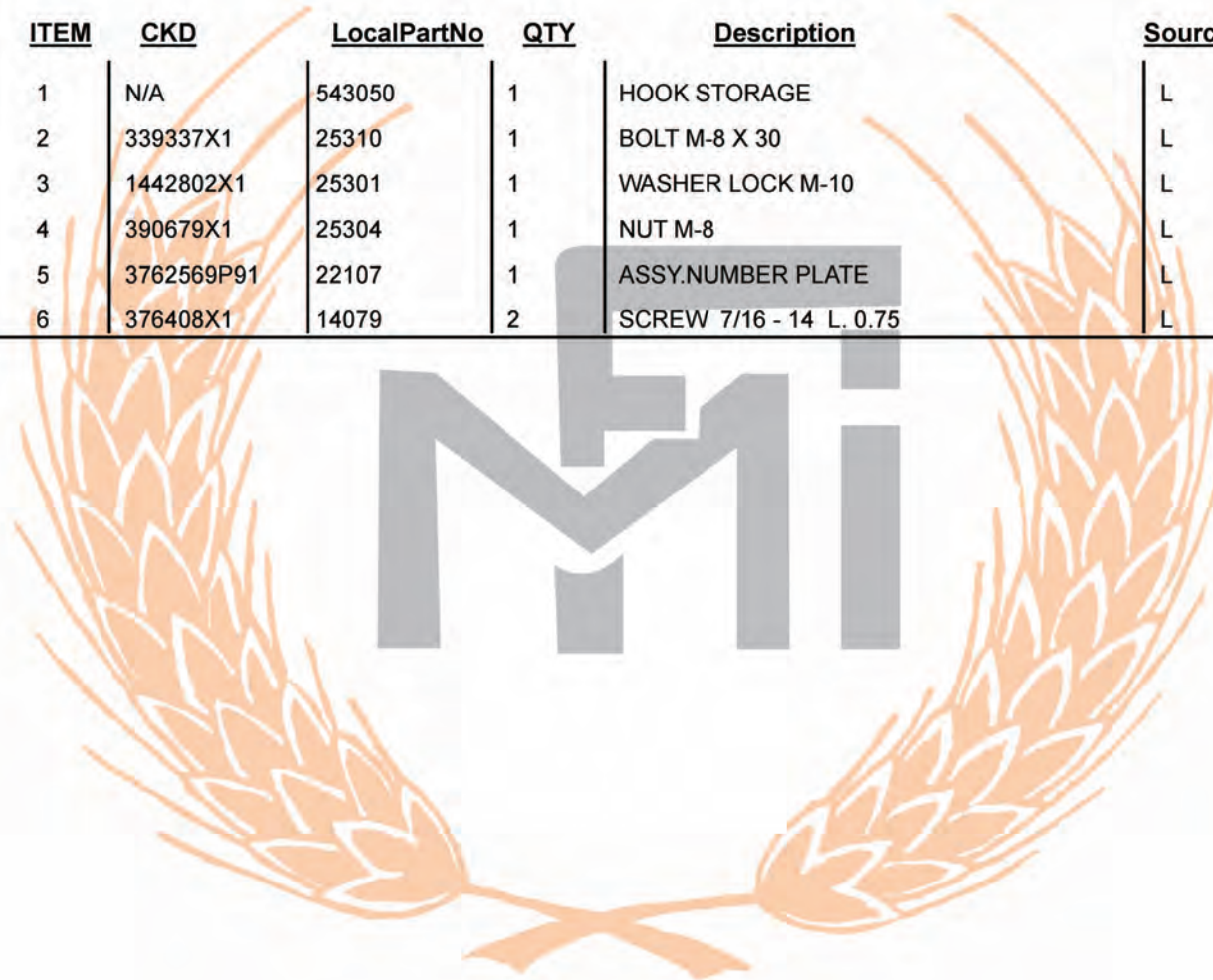


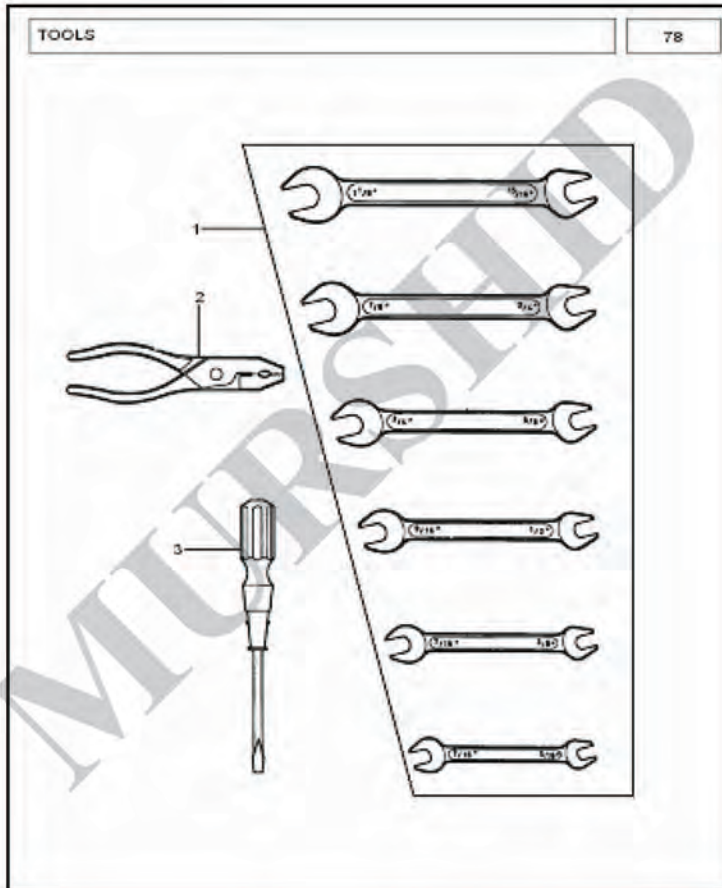
<u>ITEM</u>	<u>CKD</u>	<u>LocalPartNo</u>	<u>QTY</u>	<u>Description</u>	<u>Source</u>
1	1678868M91	34174	1	LAMP REAR IND STOP LH	L
1	1678869M91	34175	1	LAMP REAR IND STOP RH	L
2	1678990M91	34177	1	LAMP FRONT RH	L
2	1678991M91	34176	1	LAMP FRONT LH	L
3	1678582M91	34173	1	ASSY WORK LAMP	L

The logo features the letters 'MMi' in a bold, sans-serif font, centered within a laurel wreath. The wreath is composed of two branches of leaves, one on the left and one on the right, curving upwards and meeting at the bottom. The entire logo is rendered in a light orange color.

STOWAGE HOOK**MF260**

<u>ITEM</u>	<u>CKD</u>	<u>LocalPartNo</u>	<u>QTY</u>	<u>Description</u>	<u>Source</u>
1	N/A	543050	1	HOOK STORAGE	L
2	339337X1	25310	1	BOLT M-8 X 30	L
3	1442802X1	25301	1	WASHER LOCK M-10	L
4	390679X1	25304	1	NUT M-8	L
5	3762569P91	22107	1	ASSY.NUMBER PLATE	L
6	376408X1	14079	2	SCREW 7/16 - 14 L. 0.75	L



TOOLS**MF260**

<u>ITEM</u>	<u>CKD</u>	<u>LocalPartNo</u>	<u>QTY</u>	<u>Description</u>	<u>Source</u>
1	886127M92	56002	1	SPANNER SET	L
2	N/A	56008	1	PLIER 8"	L
3	886127M94	56004	1	SCREW DRIVER	L

