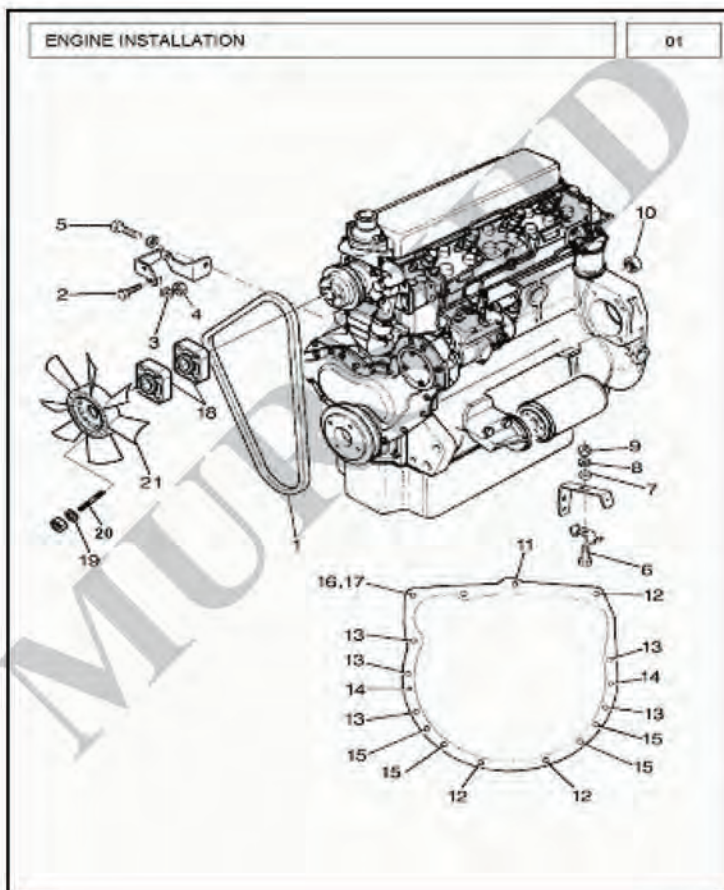


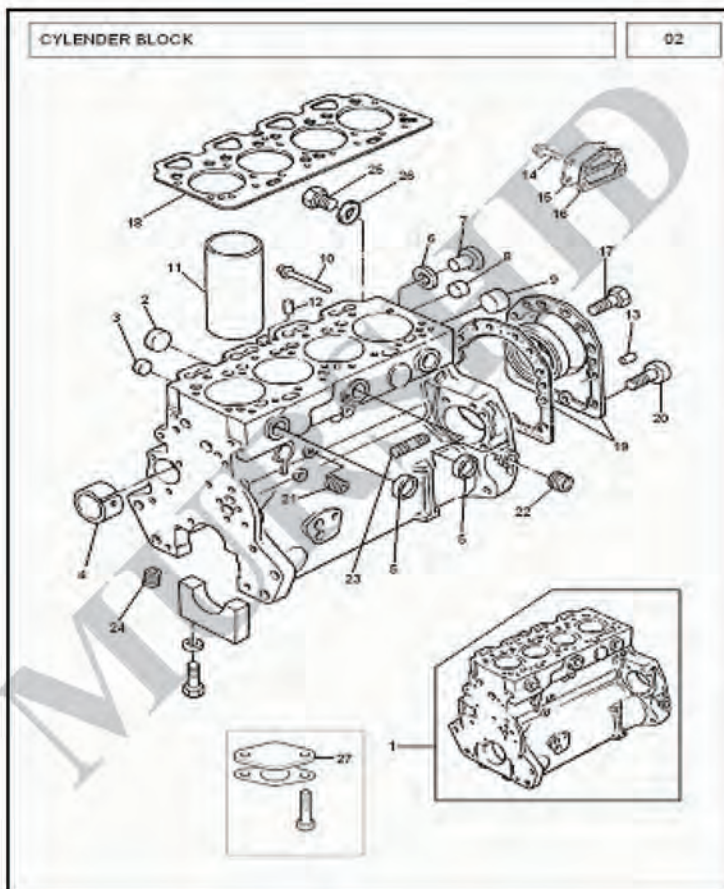
## ENGINE INSTALLATION



<u>ITEM</u>	<u>CKD</u>	<u>LocalPartNo</u>	<u>QTY</u>	<u>Description</u>	<u>Source</u>
1	1693745M1	183147	1	BELT V	I
2	376334X1	39001	2	BOLT 5/16-18X1.1/4	L
3	353755X1	34015	3	WASHER 5/16	L
4	355565X1	21056	2	NUT 5/16-18	L
5	353536X1	183139	1	SCREW 3/8 24 X3/4	A
6	339124X1	163070	1	SCREW M8X16MM	L
7	390972X1	163052	1	WASHER FLAT M8	L
8	339375X1	133022	1	WASHER LOCK M6	L
9	339169X1	163033	1	NUT M8	L
10	828123M2	18643	1	BEARING CLUTCH PIVOT	I
11	3019858X1	18503	1	SCREW M12 L. 35	L
12	3019851X1	183071	3	BOLT M12X45MM	L
13	3019853X1	183072	5	BOLT M12X60MM	L
14	825302M1	18220	2	DOWEL	L
15	3019855X1	18502	4	BOLT M12 L. 70	L
16	3019857X1	18610	1	BOLT M12 L. 90	L
17	3019862X1	18611	1	NUT M12	L
18	736519M2	383005	2	SPACER FAN	L
19	353446X1	19017	4	WASHER 5/16	L
20	2313F066	183030	10	STUD FAN	L
21	3774450M1	375002	1	FAN (PLASTIC)	L

**CYLINDER BLOCK**

**MF385 2WD**

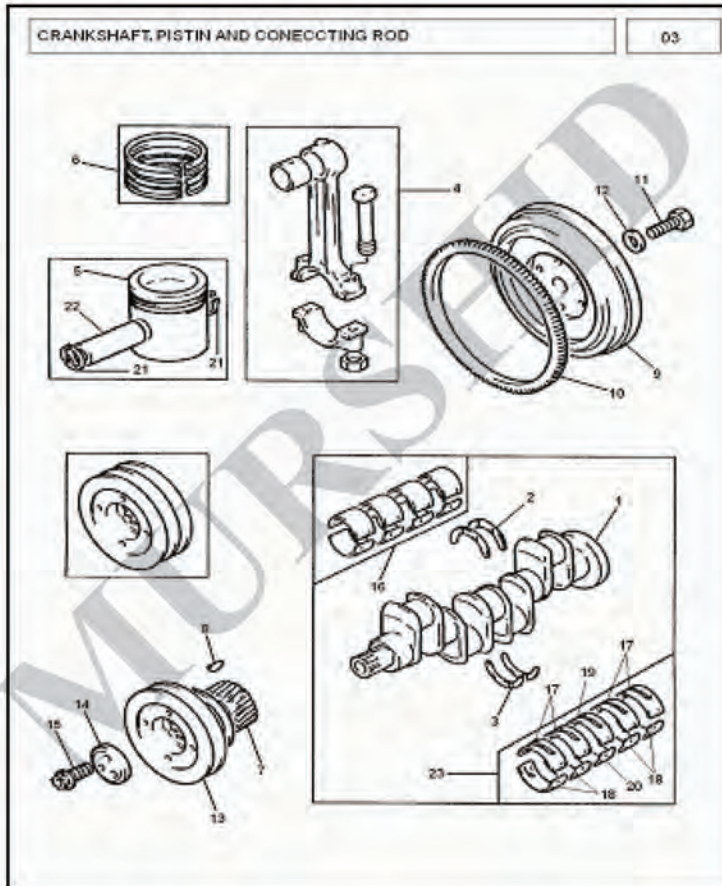


<u>ITEM</u>	<u>CKD</u>	<u>LocalPartNo</u>	<u>QTY</u>	<u>Description</u>	<u>Source</u>
1	3711H04/A8	183314	1	CYLINDER BLOCK ASSY.	I
1	3711H065	183314	1	CYLINDER BLOCK ASSY.	I
1	4145A106	183314	1	CYLINDER BLOCK ASSY.	I
1	M7BAL001	183314	1	CYLINDER BLOCK ASSY.	I
1	ZZ50267	183314	1	CYLINDER BLOCK ASSY.	I
2	32416118	183243	4	PLUG	L
3	0650588	183296	2	PLUG	L
4	31134164	187056	1	BUSH	L
5	0650710	18153	6	PLUG WATER JACKET	L
6	3311R003	183111	1	WASHER	L
7	32168212	183109	1	PLUG	L
8	32418122	N/a	2	PLUG	L
9	32416119	183244	1	PLUG	L
10	2485A204	18594	1	PLUG	L
11	3135X033	183220	4	LINER	L
12	2114A046	183157	1	DOWEL	L
13	0350009	187020	2	DOWEL PIN	L
14	3211C002	183235	4	SCREW	I
15	3623H015	183032	1	PLATE LUBE OIL TRANSFER	L
16	36832144	183118	1	JOINT	L
17	2314H003	183142	6	SCREW	I
18	3681E037	183112	1	GASKET CYLINDER HEAD	L
19	2418F701	183198	1	HOUSING	I
20	3212V002	N/a	2	SCREW	I
21	0650594	183105	1	PLUG FILTER HEAD	L
22	32166329	N/a	1	PLUG	L
23	2313C077	183164	3	STUD	L
24	32161114	18178	1	PLUG	L
25	2314C049	183169	1	SCREW	L

26	2415D053	183156	1	WASHER (0920155)	L
27	36171131	183277	1	PLATE	L

MURSHID

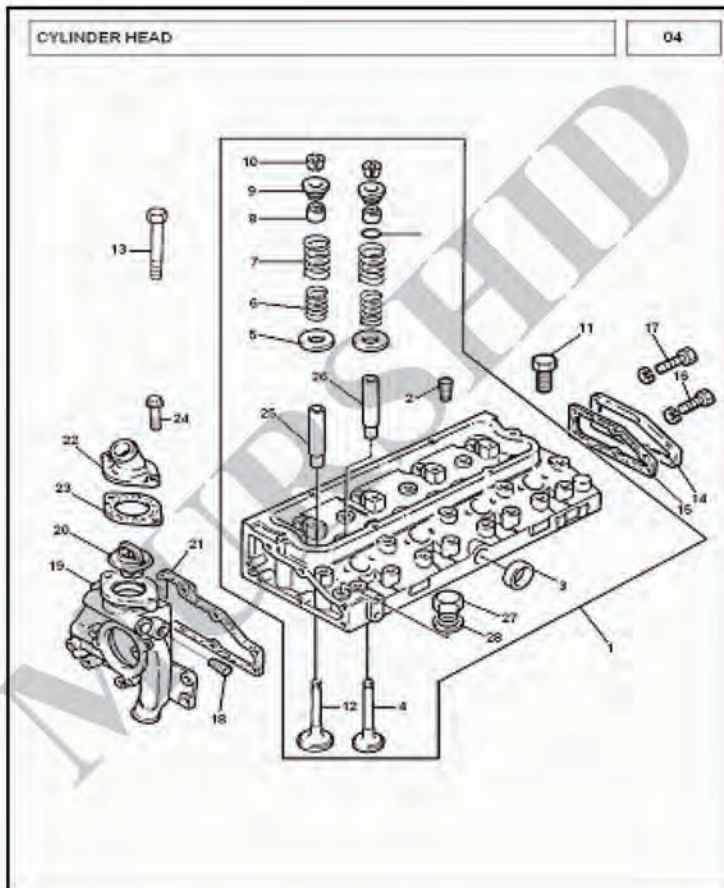




ITEM	CKD	LocalPartNo	QTY	Description	Source
1	31315992	183214	1	CRANKSHAFT	I
1	31315996	183214	1	CRANKSHAFT	I
1	M7BGL001	183214	1	CRANKSHAFT	I
1	ZZ90143	183214	1	CRANKSHAFT	I
2	31137551	183211	2	WASHER	L
3	31137561	183212	2	WASHER	L
4	41152912	183289	4	ROD CONNECTING ASSY.	L
5	3135M091	183219	4	PISTON	L
5	3135M101	183219	4	PISTON	L
6	4115Y001	183292	4	RING PISTON	I
7	31171681	183213	1	GEAR CRANKSHAFT	I
7	31171683	183213	1	GEAR CRANKSHAFT	I
8	0500012	183151	1	KEY	L
9	31216362	183014	1	FLY WHEEL	L
10	0410236	18047	1	STARTER RING	L
11	32162203	18225	6	BOLT	L
12	33117127	18565	6	WASHR ID 13.10 OD 19.05 T. 2.64	L
13	3114V014	183132	1	PULLEY CRANK SHAFT	L
14	3242T001	183249	1	THRUST BLOCK	L
15	32186139	183242	3	SCREW	L
16	31126311	183312	1	ENGINE PLAIN BEARING SET	I
17	31126391	N/a	4	MAIN TOP	L
18	31126381	N/a	4	MAIN BOTTOM	L
19	31126371	N/a	1	MAIN MIDDLE TOP	L
20	31126361	N/a	1	MAIN MIDDLE BOTTOM	L
21	170002	N/a	2	CIRCLIP	L
22	3313M004	183254	4	PIN	I
23	N/a	183312	1	ENGINE PLAIN BEARING SET	I

**CYLINDER HEAD**

**MF385 2WD**

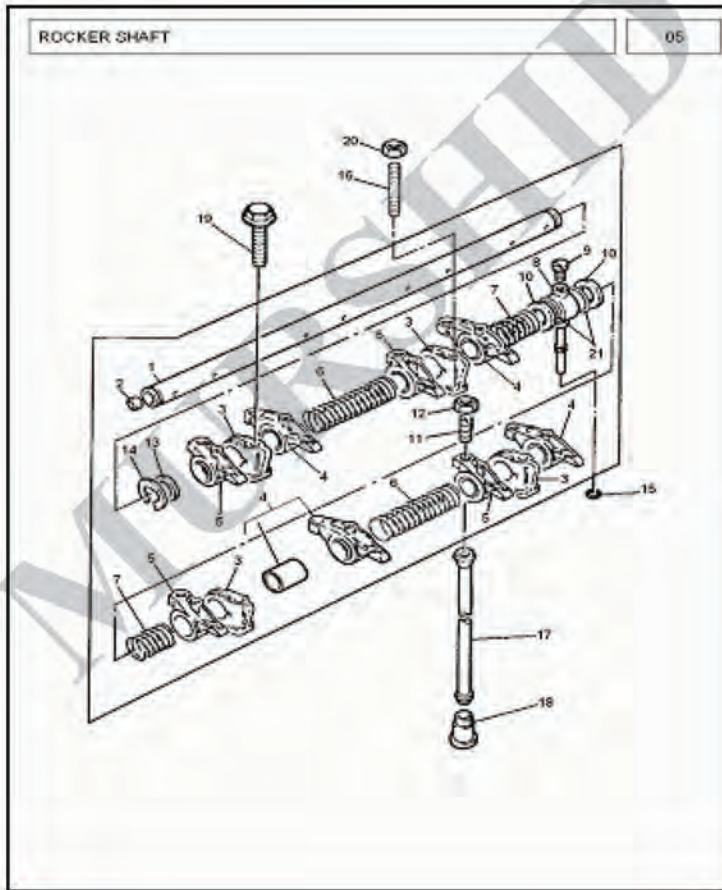


<u>ITEM</u>	<u>CKD</u>	<u>LocalPartNo</u>	<u>QTY</u>	<u>Description</u>	<u>Source</u>
1	3712H076	183295	1	ASSY. CYLINDER HEAD	I
1	3712H07A/3	183295	1	ASSY. CYLINDER HEAD	I
1	4145D179	183295	1	ASSY. CYLINDER HEAD	I
1	M7BDL001	183295	1	ASSY. CYLINDER HEAD	I
2	0650586	18592	4	PLUG	L
3	0650710	18153	1	PLUG WATER JACKET	L
4	3142A051	183021	4	EXHAUST VALVE	L
5	33415118	183258	8	WASHER	I
6	31744133	183230	8	SPRING	I
7	31745122	183231	8	SPRING	I
8	33817117	183270	8	SEAL	I
9	33424107	183259	8	CAP	I
10	33173108	183256	16	COTTER	I
11	32166219	183238	8	SCREW	I
12	3142L051	183020	4	VALVE INLET	I
13	32166222	183240	2	SCREW	I
14	3623K007	183278	1	COVER	L
15	3685R005	183121	1	JOINT	L
16	2314H002	183141	3	SCREW	I
17	2314J002	183179	2	SCREW	I
18	2431154	18593	2	PLUG	L
19	3771A025	183282	1	BODY WATER PUMP	L
20	2485613	183201	1	THERMOSTAT	I
21	3685F005	183120	1	JOINT	L
22	3764X011	183036	1	CONNECTION	L
23	36834152	183119	1	JOINT	L
24	2314J003	183180	2	SCREW	I
25	3343F041	183261	1	GUIDE	L
26	3343J021	183262	1	GUIDE	L

27	650203	N/a	2	PLUG	L
28	2411157	183197	2	WASHER	L

**ROCKER SHAFT**

**MF385 2WD**



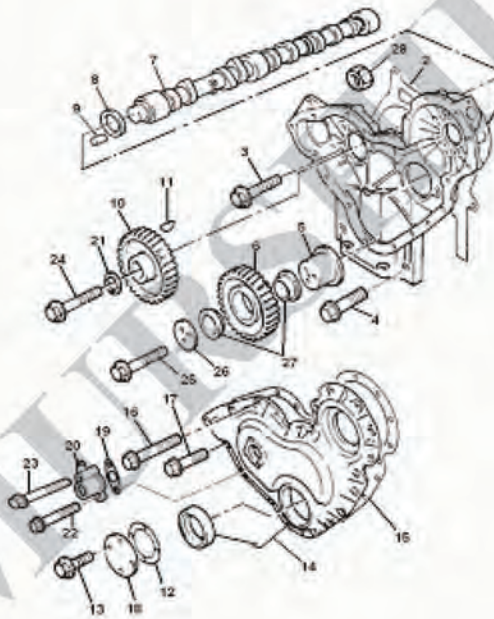
<u>ITEM</u>	<u>CKD</u>	<u>LocalPartNo</u>	<u>QTY</u>	<u>Description</u>	<u>Source</u>
1	31411124	183223	1	SHAFT	L
2	0650507	18198	2	PLUG	L
3	3818X901	183286	4	BRACKET	L
4	4115R306	183291	4	LEVER LH	I
5	4115R305	183290	4	LEVER RH	I
6	31744123	183228	2	SPRING	I
7	31743108	183227	2	SPRING	I
8	3775E012	183285	1	CONNECTION	L
9	2233022	183160	1	SCREW	I
10	33117434	183251	2	WASHER	I
11	32114145	183234	8	SCREW	I
12	0576052	18551	8	NUT	L
13	33117434	183251	1	WASHER	I
14	0170151	183149	2	CIRCLIP	I
15	33811113	183266	1	OLIVE	I
16	2313H331	183168	3	STUD	I
17	31434307	183226	8	PUSH ROD	L
18	3142U031	183225	8	TAPPET	L
19	2314J607	183191	1	SCREW	I
20	2318A605	183195	3	NUT	I
21	3311K015	183253	2	SHIM	I

**TIMING GEAR AND CAMSHAFT**

**MF385 2WD**

TIMING GEAR AND CAMSHAFT

06

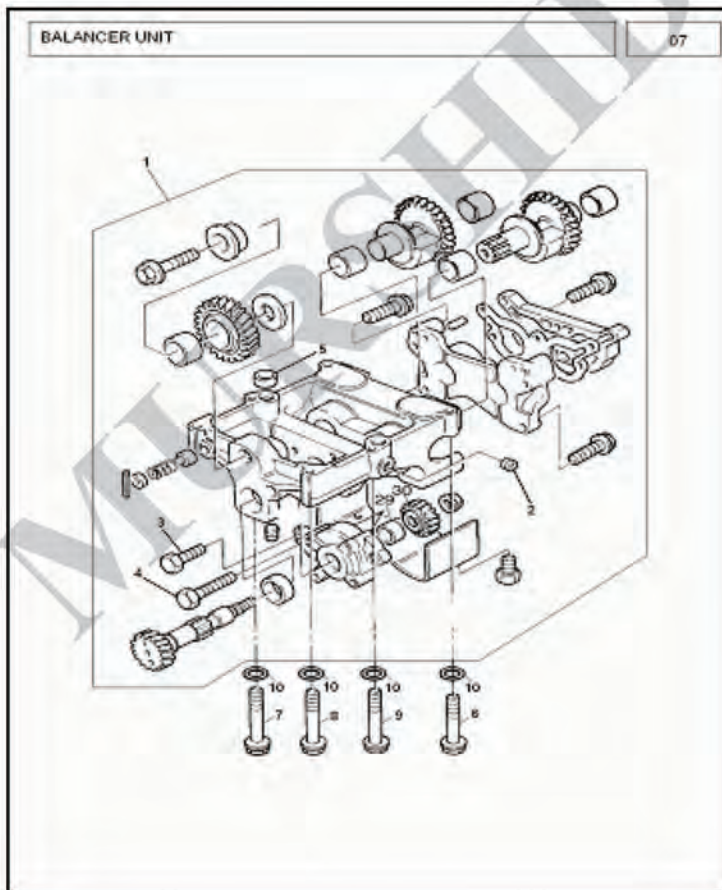


<u>ITEM</u>	<u>CKD</u>	<u>LocalPartNo</u>	<u>QTY</u>	<u>Description</u>	<u>Source</u>
1	37161984	183135	1	TIMING CASE	L
2	36814163	183115	1	JOINT	L
3	2314H003	183142	7	SCREW	I
4	2314H033	183029	2	BOLT FLANGE	L
5	33426161	183260	1	HUB	L
6	311751501	183288	1	GEAR IDLER	I
6	3117L06F/1	183288	1	GEAR IDLER	I
6	4111A016	183288	1	GEAR IDLER	I
7	3141F211	183224	1	CAMSHAFT (31415363)	L
8	33153121	183255	1	PLATE	L
9	2116053	183158	1	PIN	I
10	31171353	183146	1	GEAR CAMSHAFT	L
10	3117L012	183146	1	GEAR CAMSHAFT	L
10	3117L01A/1	183146	1	GEAR CAMSHAFT	L
11	0500012	183151	1	KEY	L
12	33825427	183113	1	JOINT	L
13	2314H031	183177	4	SCREW	L
14	4142A087	183136	1	TIMING COVER	L
15	36813182	183114	1	JOINT	L
16	2314K161	183192	5	SCREW	I
17	2314H033	183029	14	BOLT FLANGE	L
18	3271W003	183145	1	COVER	L
19	36833163	183033	1	JOINT	L
20	2758346	183001	1	ANGLE DRIVE	L
21	3321A003	183031	1	WASHER CAMSHAFT	L
22	2314F034	183024	1	BOLT FLANGE	L
23	2314F038	183025	1	BOLT FLANGE	L
24	3218M001	183023	1	SCREW CAMSHAFT GEAR	L
25	2314J010	183183	3	SCREW	L

26	3241A025	183302	1	PALTE	L
27	0050345	187147	1	BUSH IDLER GEAR	I
28	2318A604	183194	3	NUT	I

**BALANCER UNIT**

**MF385 2WD**

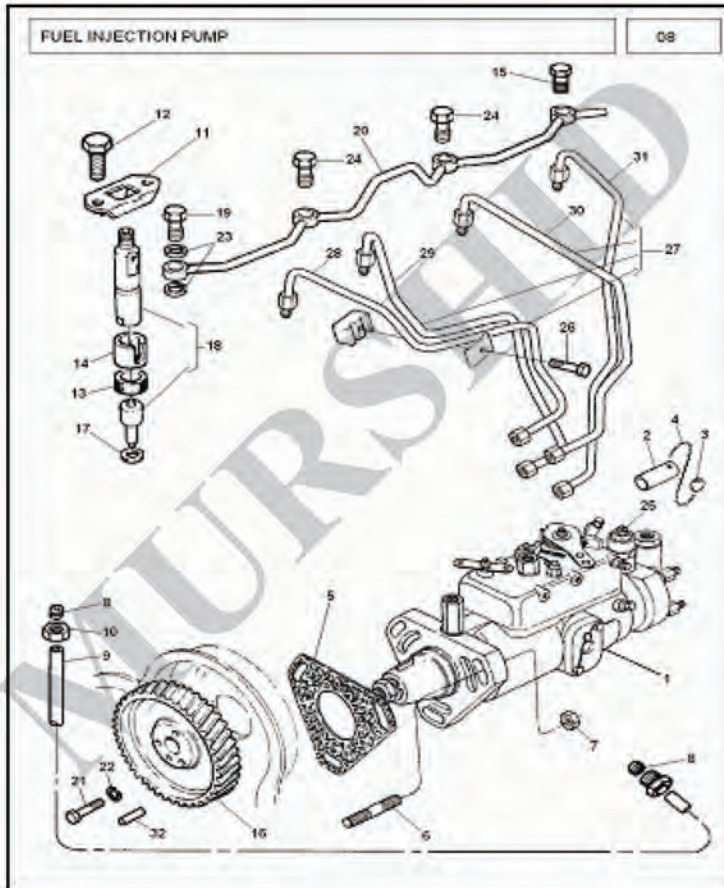


<u>ITEM</u>	<u>CKD</u>	<u>LocalPartNo</u>	<u>QTY</u>	<u>Description</u>	<u>Source</u>
1	4111K059	183104	1	BALANCER UNIT	I
1	41733082	183104	1	BALANCER UNIT	I
2	0650586	18592	1	PLUG	L
3	2314H006	183170	1	SCREW	I
4	2314H012	183173	2	SCREW	I
5	33137409	18151	2	THIMBLE MAIN BRG CAP	L
6	2314J011	183184	2	SCREW	I
7	2314J015	183186	1	SCREW	L
8	2314J013	183185	2	SCREW	I
9	2314J013	183185	1	SCREW	I
10	33115129	18564	4	WASHER	L



**FUEL INJECTION PUMP**

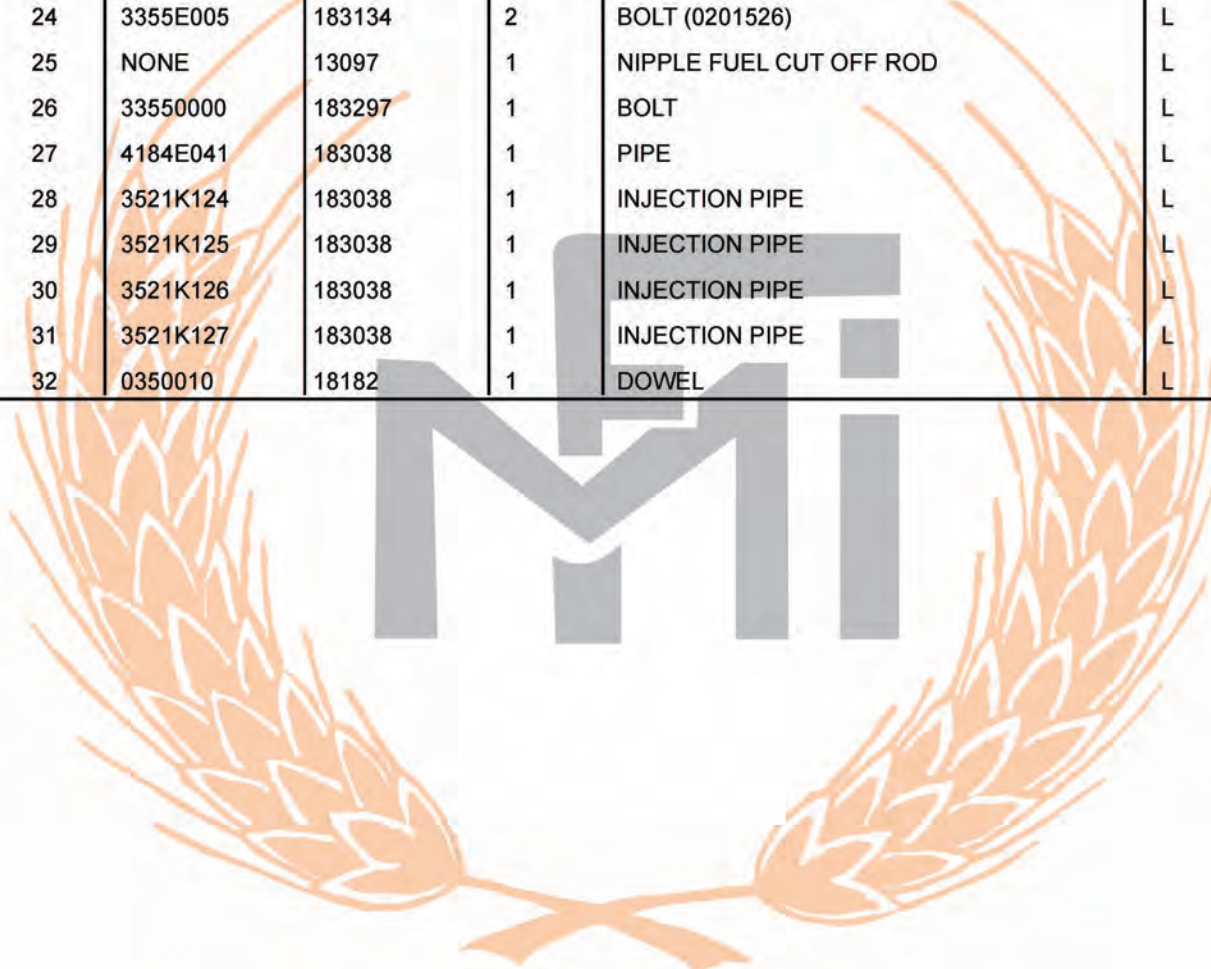
**MF385 2WD**



<u>ITEM</u>	<u>CKD</u>	<u>LocalPartNo</u>	<u>QTY</u>	<u>Description</u>	<u>Source</u>
1	2643C306	183106	1	FUEL INJECTION PUMP	I
1	3340F050	183106	1	FUEL INJECTION PUMP	I
1	DSA1142	183106	1	FUEL INJECTION PUMP	I
2	3281M002	18174	1	SLEEVE THROTTLE LVR ADJ SCREW	L
3	31718104	18625	1	SEAL	L
4	31718105	18659	1	LOCK WIRE	L
5	3682A008	183069	1	JOINT	L
6	3211P004	183236	3	STUD	L
7	2318A603	183027	3	NUT	L
8	33811112	183265	2	OLIVE	I
9	4121C048	193510	1	PIPE LEAK OFF RAIL TO F. I. PUMP	L
10	33225412	183257	1	NUT	I
11	3662K002	183044	4	CLAMP	L
12	2314H006	183170	8	SCREW	I
13	33813131	183269	4	SEAL	I
14	33813129	183268	4	SPACER	I
15	3218R039	18559	1	BOLT (0095315)	L
16	31171520/1	183287	1	GEAR FUEL PUMP	L
16	31171583	183287	1	GEAR FUEL PUMP	L
16	41115136	183287	1	GEAR FUEL PUMP	L
16	41115137	183287	1	GEAR FUEL PUMP	L
17	0921173	18591	4	WASHER	L
18	2645A010	183107	4	ATOMISER & HOLDER	I
18	2645A302	183107	4	ATOMISER & HOLDER	I
18	2645A604	183107	4	ATOMISER & HOLDER	I
18	LRB6701413	183107	4	ATOMISER & HOLDER	I
19	33557117	183045	1	BOLT (CONNECTION)	L
20	3558X019	183275	1	PIPE	L
21	0746254	18539	3	SCREW	L

MURSHID

22	0920053	18583	3	WASHER	L
23	2411D007	18597	8	WASHER (0921176)	L
24	3355E005	183134	2	BOLT (0201526)	L
25	NONE	13097	1	NIPPLE FUEL CUT OFF ROD	L
26	33550000	183297	1	BOLT	L
27	4184E041	183038	1	PIPE	L
28	3521K124	183038	1	INJECTION PIPE	L
29	3521K125	183038	1	INJECTION PIPE	L
30	3521K126	183038	1	INJECTION PIPE	L
31	3521K127	183038	1	INJECTION PIPE	L
32	0350010	18182	1	DOWEL	L

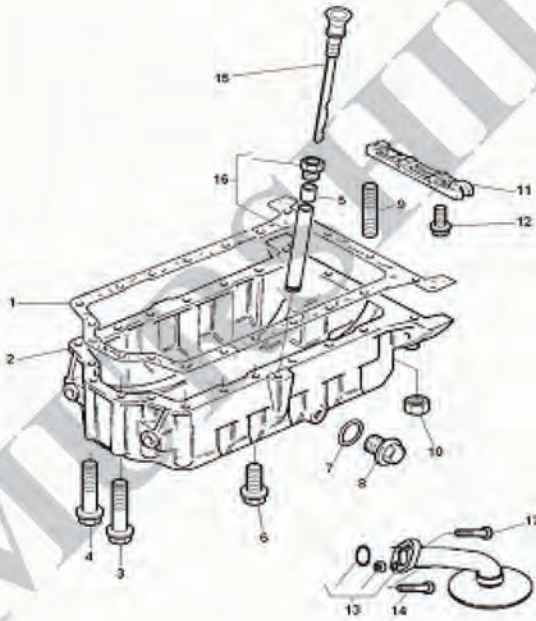


**LUBRICATING OIL SUMP**

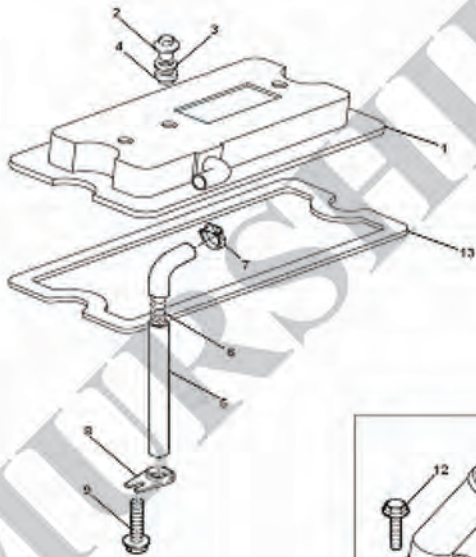
**MF385 2WD**

LUBRICATING OIL SUMP

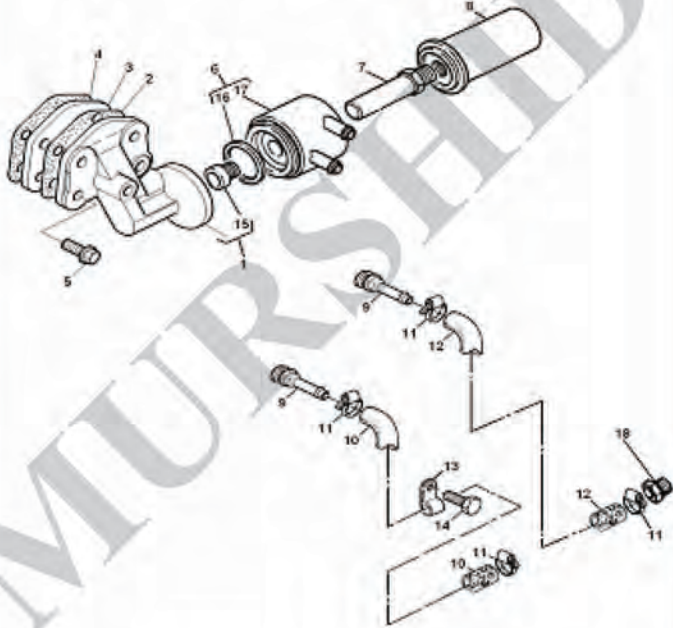
09



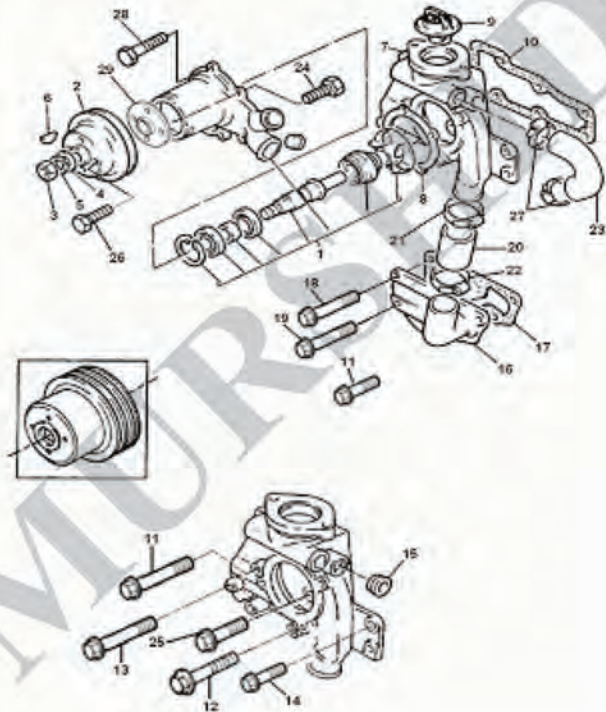
<u>ITEM</u>	<u>CKD</u>	<u>LocalPartNo</u>	<u>QTY</u>	<u>Description</u>	<u>Source</u>
1	36815726	183116	1	JOINT	L
2	3717J052	183078	1	SUMP LUB OIL	L
3	2314H023	183176	5	SCREW	I
4	2314H022	183175	1	SCREW	L
5	33812116	183267	1	OLIVE	I
6	2314H015	183174	12	SCREW	I
7	2415715	18658	1	O RING	L
8	32186405	18596	1	PLUG	L
9	3211P013	183237	2	STUD	L
10	2318A603	183027	2	NUT	L
11	3627P024	183280	1	BRIDGE PIECE (3627P024)	L
11	3627P043	183280	1	BRIDGE PIECE (3627P024)	L
12	2311D039	183161	4	SCREW	I
12	3211C002	183235	4	SCREW	I
13	4134E037	183076	1	STRAINER ASSY.	L
14	2314H006	183170	1	SCREW	I
15	3178C088	183229	1	DIPSTICK	L
16	3577A125	183131	1	TUBE DIPSTICK	L
17	2314H012	183173	1	SCREW	I



<u>ITEM</u>	<u>CKD</u>	<u>LocalPartNo</u>	<u>QTY</u>	<u>Description</u>	<u>Source</u>
1	4142X048	183294	1	TAPPET COVER	L
2	3274A003	183250	3	NUT	I
3	0920009	183154	3	WASHER	I
4	33817135	183271	3	SEAL	I
5	3386C007	183273	1	HOSE	L
6	3175P003	183232	1	SPRING (31754119)	L
7	2481877	183074	1	CLIP	L
8	36241123	183279	1	BRACKET	L
9	2314H015	183174	1	SCREW	I
10	3578M005	183016	1	OIL FILLER	L
11	36862245	183123	1	JOINT	L
12	2314H033	183029	2	BOLT FLANGE	L
13	3681A032	183324	1	JOINT	L



<u>ITEM</u>	<u>CKD</u>	<u>LocalPartNo</u>	<u>QTY</u>	<u>Description</u>	<u>Source</u>
1	3773K043	183283	1	HEAD (3773K042)	L
2	3686T006	183125	1	JOINT	L
3	3773T091	183284	1	ADAPTOR	L
4	3686L007	183124	1	JOINT	L
5	2314J038	183187	4	SCREW	L
6	2486A219	183202	1	OIL COOLER ASSY.	I
7	2486A209	183203	1	CONNECTOR	L
8	2654403	183221	1	OIL FILTER	L
9	3346C008	183263	2	ADAPTOR (3346C004)	L
10	3482V031	183274	1	HOSE	L
11	2481877	183074	4	CLIP	L
12	3712237M3	183048	1	HOSE OIL COOLER	L
13	2481D156	183200	1	CLIP	L
14	2314H002	183141	1	SCREW	I
15	33286141	N/a	1	CONNECTION FILTER HEAD	L
16	2486A211	N/a	1	GASKET	L
17	2486A206	N/a	1	OIL COOLER	L
18	518826M1	183073	1	CONNECTOR	L

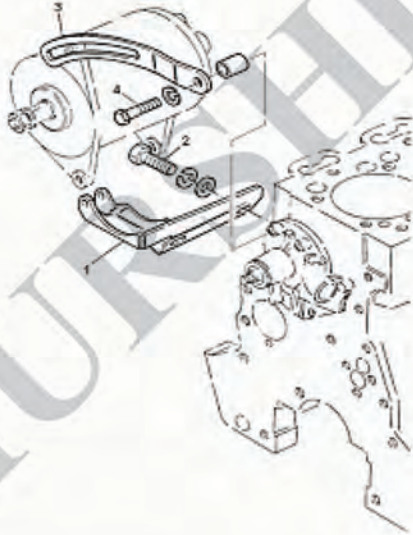


ITEM	CKD	LocalPartNo	QTY	Description	Source
1	4131A057	183293	1	WATER PUMP	L
2	31146013	183133	1	PULLEY WATER PUMP	L
3	0576007	183152	1	NUT	L
4	0920009	183154	1	WASHER	I
5	0920058	183155	1	WASHER	L
6	0500006	183150	1	KEY	L
7	3771A025	183282	1	BODY WATER PUMP	L
8	3687H013	183127	1	JOINT	L
9	2485613	183201	1	THERMOSTAT	I
10	3685F005	183120	1	JOINT	L
11	2314J011	183184	2	FLANGED SCREW	I
12	2314H008	183172	1	FLANGED SCREW	I
13	2314H041	N/a	1	FLANGED SCREW	L
14	2314J003	183180	2	FLANGED SCREW	I
15	2431154	18593	2	PLUG	L
16	3766X052	183037	1	CONNECTION	L
17	3787L001	183130	1	JOINT	L
18	2314J006	183182	2	FLANGED SCREW	I
19	2314H007	183171	2	FLANGED SCREW	I
20	3383A019	183272	1	HOSE	L
21	0180069	183075	1	CLIP	L
22	0180069	183075	1	CLIP	L
23	3482T004	183022	1	HOSE WATER BYPASS	L
24	2314J033	183028	4	BOLT	L
25	2314H005	N/a	1	FLANGED SCREW	I
26	2314H102	183178	4	SCREW	L
27	0180066	18632	2	CLIP	L
28	2314H004	183143	4	SCREW	L
29	33476183	183264	1	HUB	L

**ALTERNATOR BRACKET****MF385 2WD**

ALTERNATOR BRACKET

13



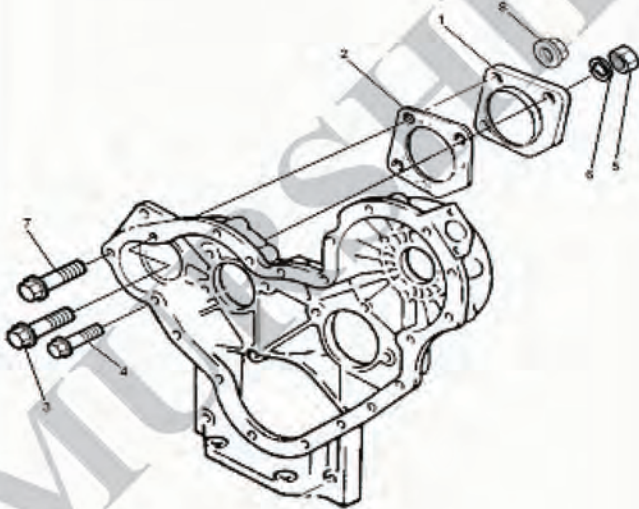
<u>ITEM</u>	<u>CKD</u>	<u>LocalPartNo</u>	<u>QTY</u>	<u>Description</u>	<u>Source</u>
1	37581175	186001	1	BRACKET ALTERNATOR	L
2	362431X1	23023	2	SCREW 3/8 -16 X 7/8	L
3	36178174	186002	1	LINK ALTERNATOR	L
4	2183205	183026	3	BOLT 5/16" UNF x 7/8"	L



**BLANKING PLATE****MF385 2WD**

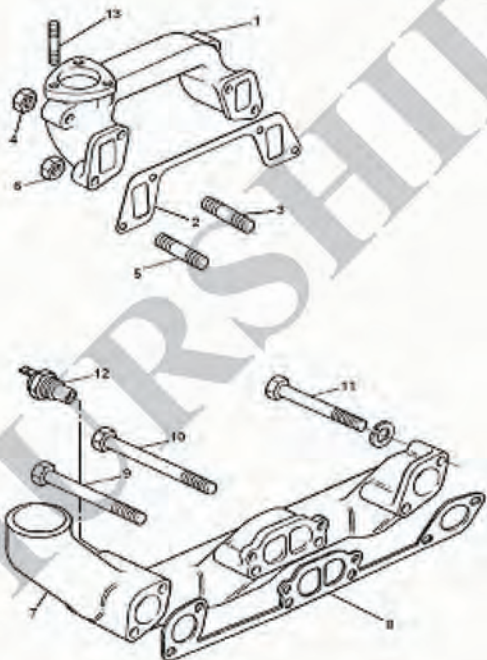
BLANKING PLATE

14

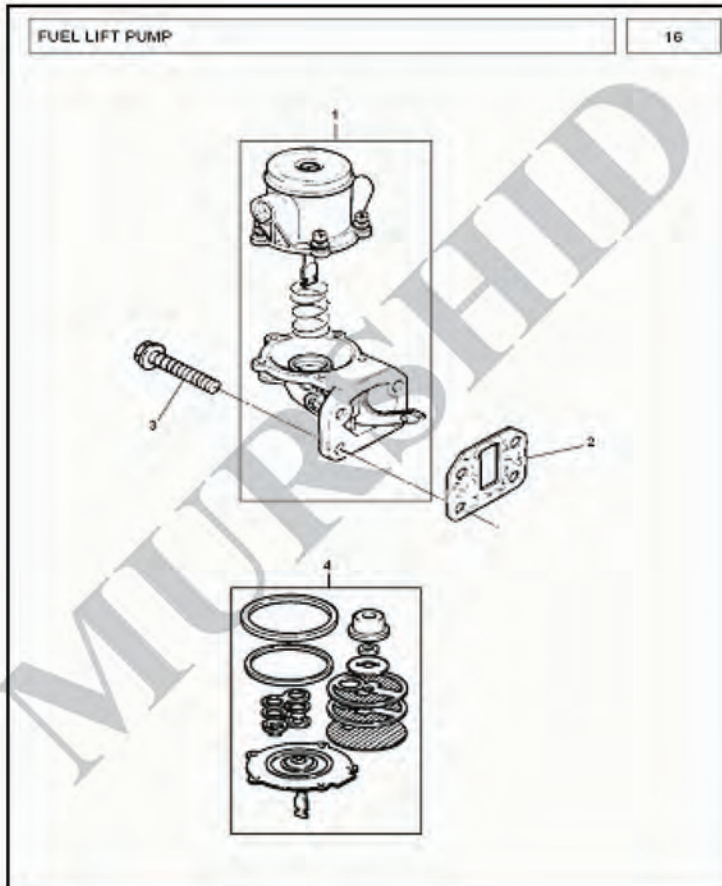


<u>ITEM</u>	<u>CKD</u>	<u>LocalPartNo</u>	<u>QTY</u>	<u>Description</u>	<u>Source</u>
1	37556148	183108	1	PLATE	L
2	36861466	183122	1	JOINT	L
3	2314H012	183173	1	SCREW	I
4	2311D083	183162	1	SCREW	L
5	2318A209	183193	2	NUT	L
6	2134A010	183159	2	WASHER	L
7	2311D089	183163	1	SCREW	L
8	2318A603	183027	1	NUT	L



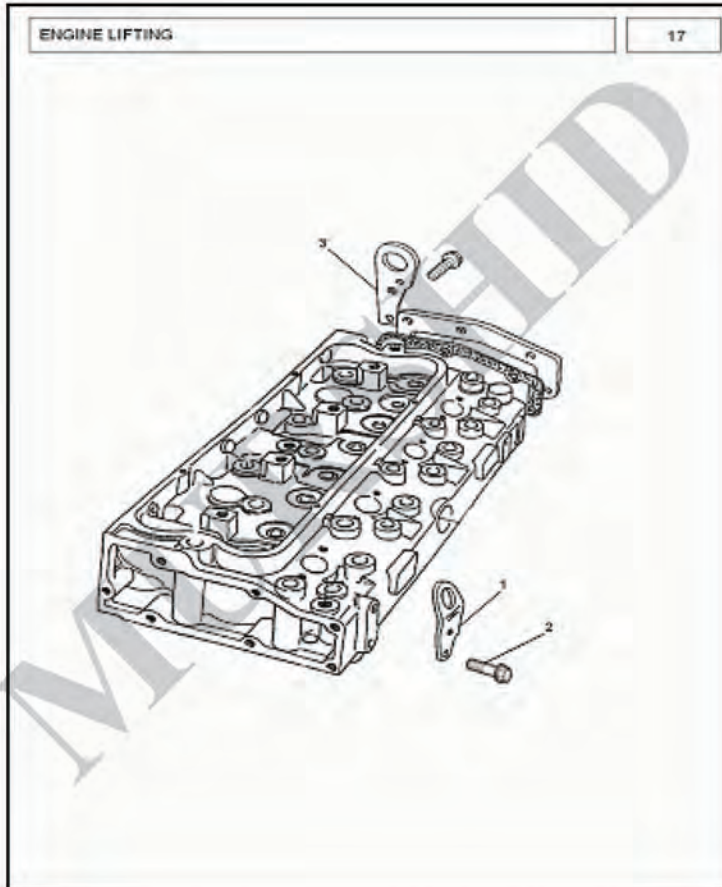


<u>ITEM</u>	<u>CKD</u>	<u>LocalPartNo</u>	<u>QTY</u>	<u>Description</u>	<u>Source</u>
1	3778H074	183039	1	EXHAUST MANIFOLD	L
2	3688C023	183128	1	JOINT	L
3	2313C087	183167	2	STUD	L
4	2318A634	183196	2	NUT	I
5	2313C081	183166	2	STUD	L
6	2318A634	183196	2	NUT	I
7	3777E163	183144	1	INDUCTION MANIFOLD	L
8	3688C024	183129	1	JOINT	L
9	2314J049	183190	2	SCREW	L
10	2314J042	183189	3	SCREW	L
11	2314J039	183188	1	SCREW	L
12	2666108	18161	1	HEATER IND MANIFOLD	L
13	2313C079	183165	3	STUD	L

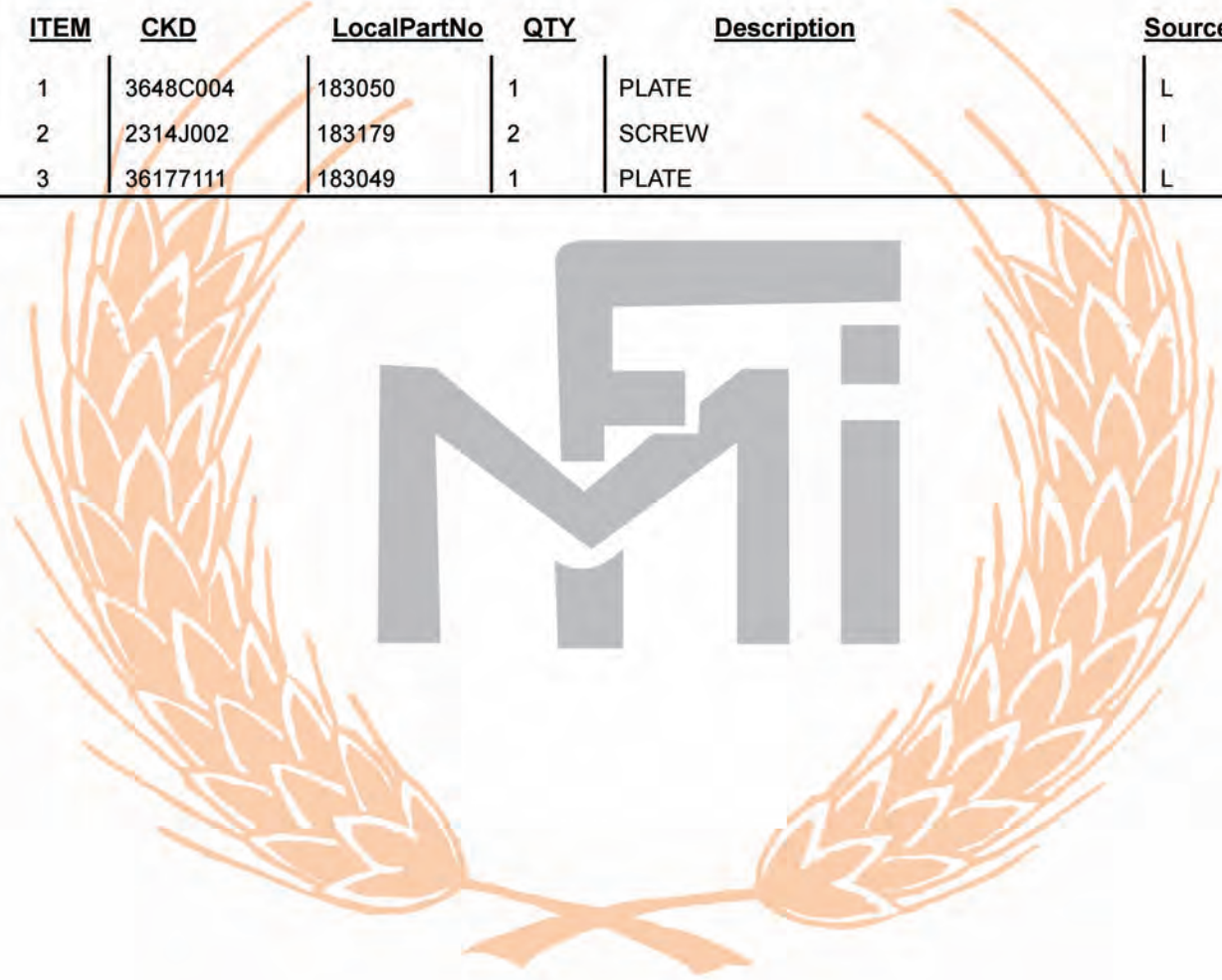
**FUEL LIFT PUMP****MF385 2WD**

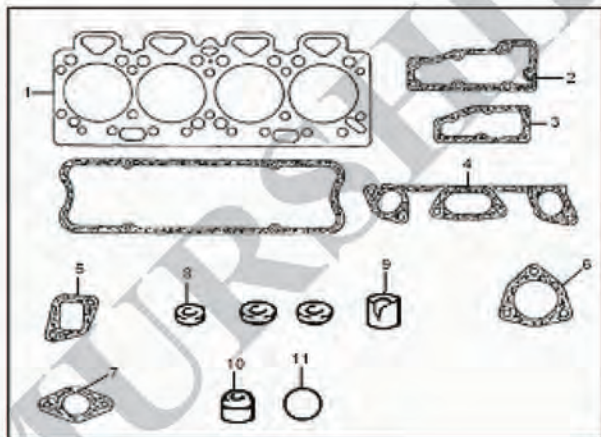
<u>ITEM</u>	<u>CKD</u>	<u>LocalPartNo</u>	<u>QTY</u>	<u>Description</u>	<u>Source</u>
1	2641A053	187055	1	LIFT PUMP	L
2	3685A026	18060	1	JOINT (36851123)	L
3	2314H033	183029	4	BOLT FLANGE	L
4	ULPR0001	N/a	1	KIT REPAIR	L



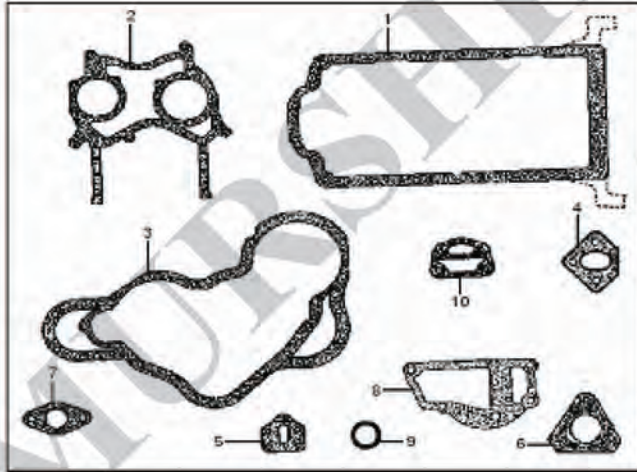
**ENGINE LIFTING****MF385 2WD**

<u>ITEM</u>	<u>CKD</u>	<u>LocalPartNo</u>	<u>QTY</u>	<u>Description</u>	<u>Source</u>
1	3648C004	183050	1	PLATE	L
2	2314J002	183179	2	SCREW	I
3	36177111	183049	1	PLATE	L





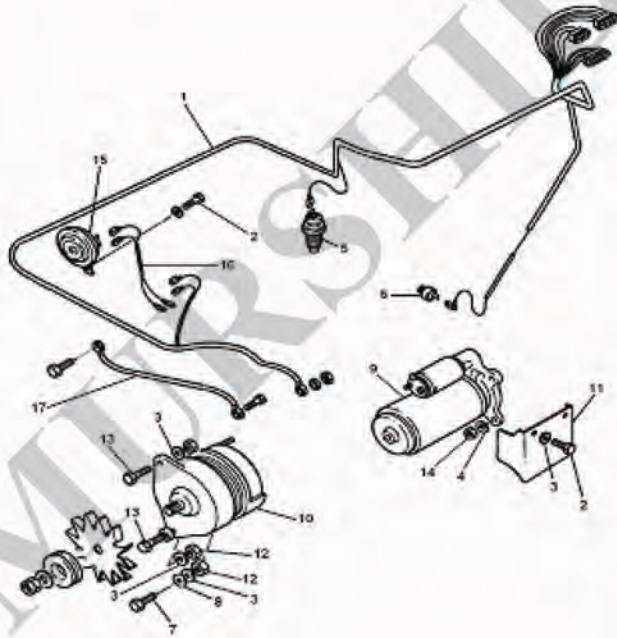
<u>ITEM</u>	<u>CKD</u>	<u>LocalPartNo</u>	<u>QTY</u>	<u>Description</u>	<u>Source</u>
1	3681E037	183112	1	GASKET CYLINDER HEAD	L
2	3685F005	183120	1	JOINT	L
3	3685R005	183121	1	JOINT	L
4	3688C024	183129	1	JOINT	L
5	3688C023	183128	1	JOINT	L
6	36822154	183117	1	JOINT	L
7	36834152	183119	1	JOINT	L
8	0921173	18591	4	WASHER	L
9	33813129	183268	4	SPACER	I
10	33817117	183270	8	SEAL	I
11	33811113	183266	1	OLIVE	I
12	3686T007	183126	1	JOINT	L



<u>ITEM</u>	<u>CKD</u>	<u>LocalPartNo</u>	<u>QTY</u>	<u>Description</u>	<u>Source</u>
1	36815726	183116	1	JOINT	L
2	36814163	183115	1	JOINT	L
3	36813182	183114	1	JOINT	L
4	36861466	183122	1	JOINT	L
5	3685A026	18060	1	JOINT (36851123)	L
6	3682A008	183069	1	JOINT	L
7	36862245	183123	1	JOINT	L
8	3685R005	183121	1	JOINT	L
9	2415715	18658	1	O RING	L

**ELECTRICS****MF385 2WD**

<u>ITEM</u>	<u>CKD</u>	<u>LocalPartNo</u>	<u>QTY</u>	<u>Description</u>	<u>Source</u>
1	3612871M92	353200	1	FRONT HARNESS	L
2	339124X1	163070	3	SCREW M8X16MM	L
3	390972X1	163052	5	WASHER FLAT M8	L
4	353434X1	10075	3	WASHER LOCK 3/8"	L
5	1877731M92	29003	1	ASSY TRANSMITTER TEMP	L
6	1877721M92	29002	1	OIL PRESSURE SWITCH	L
7	339010X1	243103	1	BOLT M8X40MM	L
8	391039X1	163061	2	WASHER	L
9	3763362M91	353001	1	STARTER MATAR	L
10	3698016M91	353020	1	ALTERNATOR ASSY	L
11	3596175P1	193140	1	COVER STARTER MOTOR	L
12	339169X1	163033	2	NUT M8	L
13	339337X1	25310	2	BOLT M-8 X 30	L
14	353431X1	30011	3	NUT 3/8-24UNF	L
15	1678404M1	24008	1	HORN	L
16	N/a	353202	1	HORN WIRE LEAD	L
17	3697891M91	353105	1	FRONT HARNESS EARTH	L

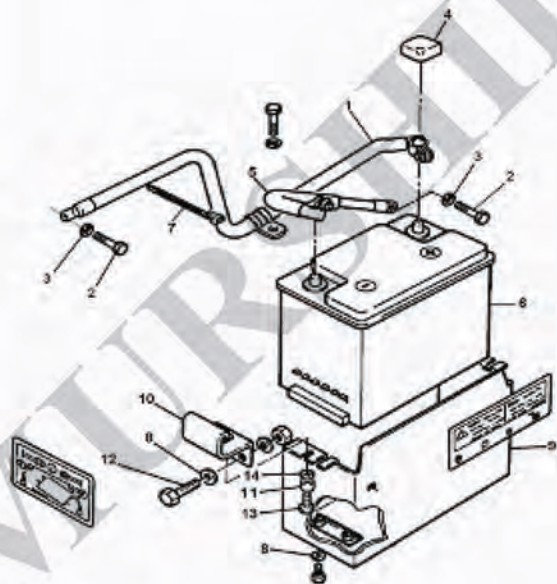


**BATTERY AND CABLES**

**MF385 2WD**

BATTERY AND CABLES

21

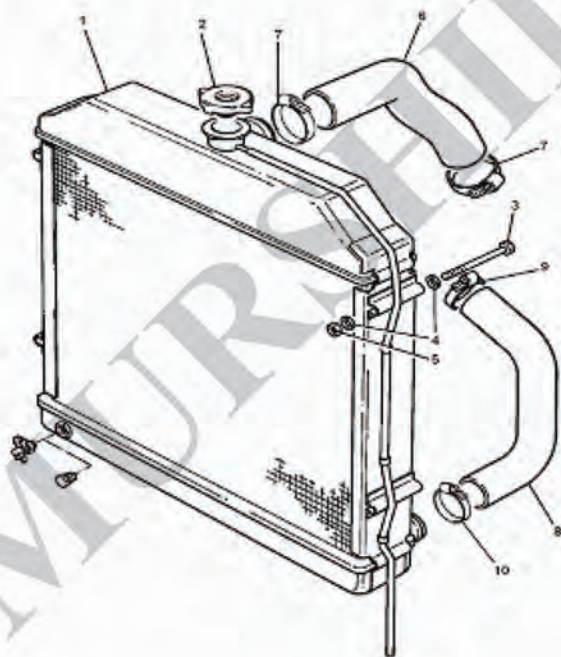


<u>ITEM</u>	<u>CKD</u>	<u>LocalPartNo</u>	<u>QTY</u>	<u>Description</u>	<u>Source</u>
1	3597508M92	313802	1	BATTERY CABLE (+)	L
2	353696X1	313061	2	SCREW 7 /16 - 14	L
3	22465X	34172	2	WASHER 7/16	L
4	3595747M1	313031	1	COVER- BATTERY	L
5	3597682M91	313803	1	BATTERY CABLE (-)	L
6	3597859M1	31001	1	BATTERY DRY N.D.	L
7	1694045M1	373021	1	CABLE TIE RELEASEABLE	L
8	390971X1	133062	12	WASHER- FLATE M6	L
9	3596682P1	313080	1	BRACKET BATTERY BOX	L
10	1695020P96	313801	1	BATTERY BOX (SINGLE)	L
11	3596686M1	313090	2	SPACER	L
12	339560X1	133061	4	SCREW M6X16	L
13	339368X1	313081	4	BOLT	L
14	390972X1	163052	2	WASHER FLAT M8	L

**COOLING SYSTEM****MF385 2WD**

COOLING SYSTEM

22



<u>ITEM</u>	<u>CKD</u>	<u>LocalPartNo</u>	<u>QTY</u>	<u>Description</u>	<u>Source</u>
1	1695721M2	213001	1	RADIATOR	L
2	180224M92	213002	1	ASSY CAP RADIATOR	L
3	339557X1	213020	4	BOLT M8X120MM	L
4	390972X1	163052	8	WASHER FLAT M8	L
5	339169X1	163033	4	NUT M8	L
6	3596204M1	213030	1	HOSE TOP	L
7	338618X1	45076	2	HOSE CLIP	L
8	1695562M1	213040	1	HOSE BOTTOM	L
9	180067	18633	1	CLIP	L
10	338617X1	213041	1	CLIP-HOSE	L

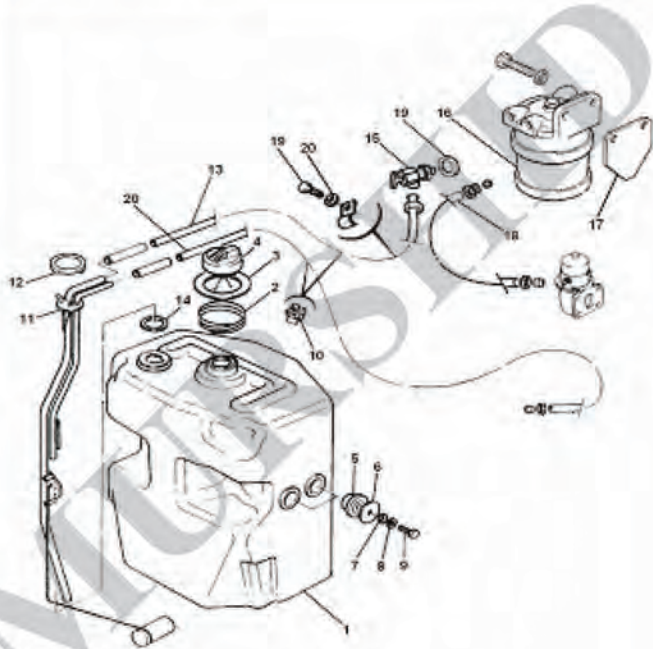


**FUEL TANK AND ATTACHMENT**

**MF385 2WD**

FUEL TANK AND ATTACHMENT

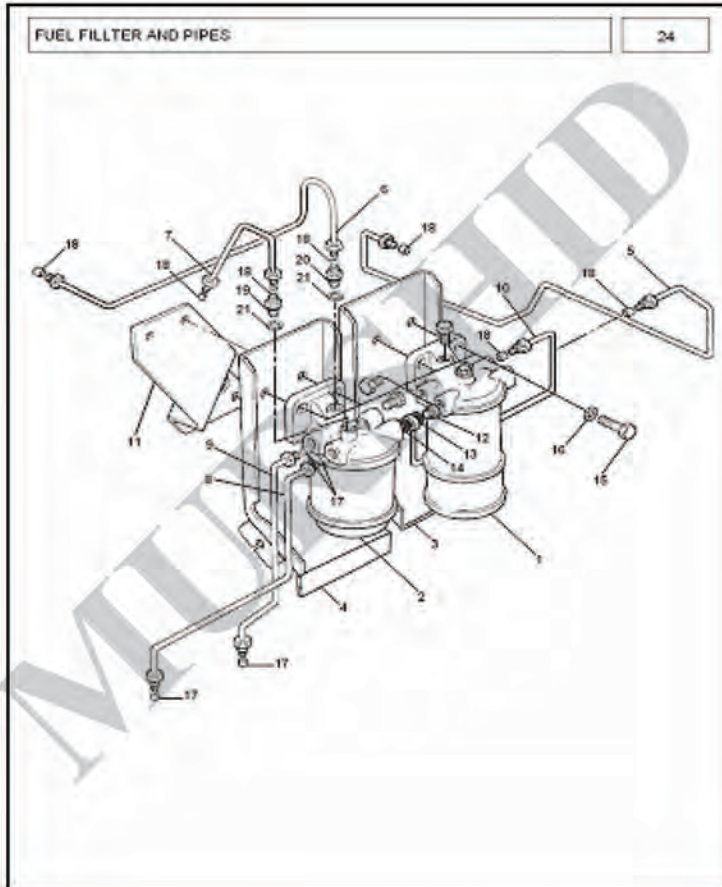
23



<u>ITEM</u>	<u>CKD</u>	<u>LocalPartNo</u>	<u>QTY</u>	<u>Description</u>	<u>Source</u>
1	1695735M3	193001	1	FUEL TANK	L
2	3596180M1	193030	1	SPRING - TANK/HOOD	L
3	3596179M1	193031	1	DISC - TANK/HOOD	L
4	1695732M1	193003	1	FUEL CAP	L
5	1695734M1	193010	4	LOCATING PLUG TANK	L
6	1695777M1	193012	8	SPACER	L
7	390972X1	163052	2	WASHER FLAT M8	L
8	339376X1	163181	2	WASHER LOCK M10	L
9	339123X1	25303	2	BOLT M-8 X 20 (339123X1)	L
10	1695731M1	193022	4	CLIP-PIPE	L
11	1695737M2	198005	1	SENDER UNIT	L
12	1694979M1	193006	1	LOCKING RING	L
13	1695733M2	198045	1	PIPE FUEL FEED	L
14	3596561M1	193007	1	SEALING RING	L
15	1694985M92	193050	1	FUEL-TAP	L
16	1695571M1	883003	1	FUEL SEDIMENTER	L
17	1695571M1	883003	1	FUEL SEDIMENTER	L
18	3700443M1	883011	1	PIPE ASSY. SEDIMETER	L
19	353516X1	193141	2	SCREW 5/16 24X5/8	L
19	N/a	193049	1	PARKER THREAD SEAL	L
20	353755X1	34015	1	WASHER 5/16	L
20	3614408M95	193507	1	RET. PIPE LEAK RAIL-SCNDRY. FLTR.	L

**FUEL FILLER AND PIPES**

**MF385 2WD**

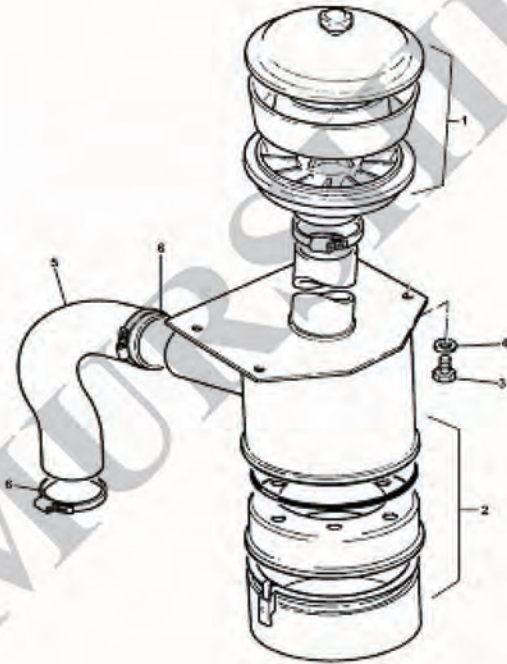


<u>ITEM</u>	<u>CKD</u>	<u>LocalPartNo</u>	<u>QTY</u>	<u>Description</u>	<u>Source</u>
1	1692890M91	193501	1	ASSY F/FILTER PRIMARY	L
2	886373M91	193502	1	FILTER SECONDARY	L
3	N/a	193079	1	DRIP TRAY PRIMARY	L
4	3701686P92	193511	1	DRIP TRAY SECONDARY	L
5	3700365M91	193508	1	PIPE LIFT PUMP /FILTE	L
6	3700374M91	193060	1	PIPE SCNDARY. FILT.-HEATER(THEMO)	L
7	3700367M92	193509	1	ASSY TUBE F/LEAK RAI	L
8	3700353M91	193102	1	PIPE SECONDARY FILTER F. I. PUMP	L
9	3700366M92	193104	1	PIPE F. I. PUMP TO SCNDRY. FILTER	L
10	888484M91	19068	1	PIPE FILTER TO FILTER	L
11	1695739P92	193070	1	ASSY- BRACKET FILTER	L
12	731803M1	19311	1	BOLT 1/2 UNF - 2Ax20 TPI	L
13	339525X1	19064	1	SEALING RING	L
14	880961M1	19063	1	WASHR ID13.1/12.7 OD19.0/18.8	L
15	353540X1	10272	4	BOLT 3/8-24 L. 31.7	L
16	353434X1	10075	4	WASHER LOCK 3/8"	L
17	376524X1	19061	4	OLIVE	L
18	376525X1	19062	7	OLIVE	L
19	735992M1	193083	1	ADAPTOR FUEL FILTER	L
20	1447011M91	19313	1	NON RETURN VALVE	L
21	391032X1	19316	2	SEALING RING	L

**OIL BATH AIR FILTER****MF385 2WD**

OIL BATH AIR FILTER

25

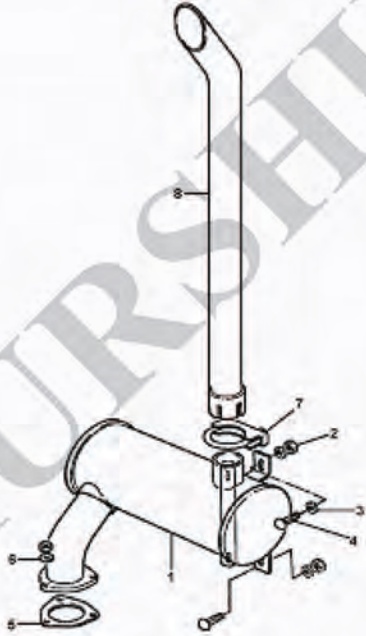


<u>ITEM</u>	<u>CKD</u>	<u>LocalPartNo</u>	<u>QTY</u>	<u>Description</u>	<u>Source</u>
1	1693129B1	453010	1	CENTRIFUGAL PRE-CLEANER	L
2	1696011M92	453001	1	OIL BATH AIR CLEANER	L
3	339124X1	163070	4	SCREW M8X16MM	L
4	390972X1	163052	4	WASHER FLAT M8	L
5	3597501M1	453015	1	HOSE AIR CLEANER	L
6	338619X1	453020	2	CLIP (70MM-90MM)	L

**EXHAUST SYSTEM VERTICAL****MF385 2WD**

EXHAUT SYSTEM VERTICAL

26



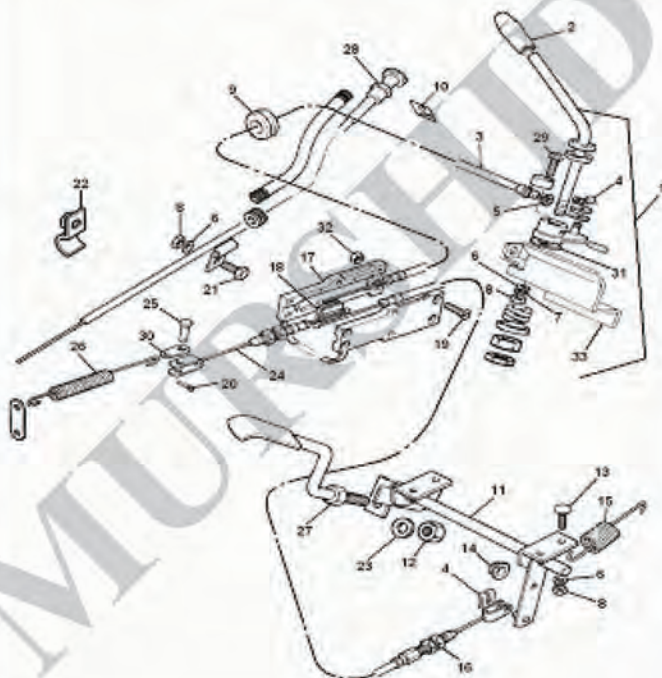
<u>ITEM</u>	<u>CKD</u>	<u>LocalPartNo</u>	<u>QTY</u>	<u>Description</u>	<u>Source</u>
1	1694961B5	203001	1	SILENCER	L
2	339169X1	163033	2	NUT M8	L
3	390972X1	163052	4	WASHER FLAT M8	L
4	339123X1	25303	2	BOLT M-8 X 20 (339123X1)	L
5	194742M1	203005	1	GASKET	L
6	353756X1	11006	3	WASHER FLAT 3/8	L
7	3599710M91	203020	1	CLAMP	L
8	1696602M3	203021	1	EXHAUST PIPE	L

**THROTTLE CONTROLS**

**MF385 2WD**

THROTTLE CONTROLS

27

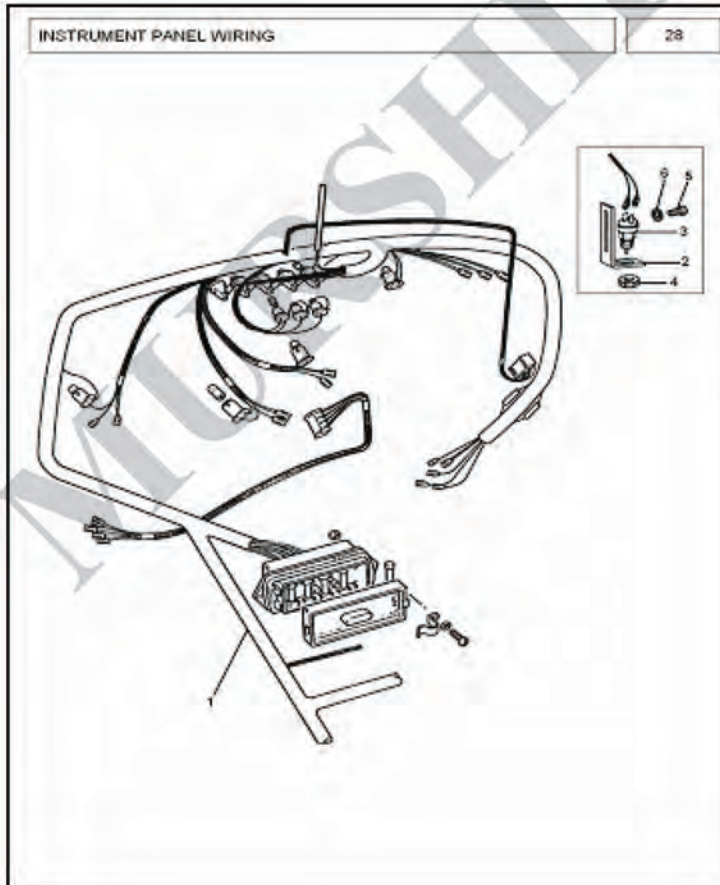


<u>ITEM</u>	<u>CKD</u>	<u>LocalPartNo</u>	<u>QTY</u>	<u>Description</u>	<u>Source</u>
1	3595259M1	133007	1	KNOB HAND THROTTLE	L
2	3759235M91	133002	1	LEVER HAND THROTTLE ASSY	L
3	3759021M91	133030	1	CABLE- HAND THROTTLE	L
4	1694080M1	133040	2	S.L.M. SAFETY-CLIP	L
5	1440988X1	133035	1	CIRCLIP	L
6	390971X1	133062	6	WASHER- FLATE M6	L
7	339375X1	133022	1	WASHER LOCK M6	L
8	339030X1	133023	6	NUT HEX M6	L
9	3597090M1	724030	1	GROMMET	L
10	3597073M3	133084	1	DECAL PULL TO STOP (URDU-VER)	L
11	1695121M5	133080	1	BRACKET	L
12	339402X1	133100	1	NUT M10	L
13	3009330X1	133081	4	SCREW M16X20MM	L
14	1695461M1	133090	2	BEARING-NYLON	L
15	1695472M1	133113	1	SPRING-THROTTLE PEDAL	L
16	3759024M91	133110	1	CABLE-FOOT THROTTLE	L
17	1696854M2	133130	1	HOUSING	L
18	1695458M1	133140	1	SLIDER	L
19	3008891X1	133120	6	SCREW- CHEESE HEAD M4	L
20	1442866X1	133151	1	PIN COTTER	L
21	339560X1	133061	1	SCREW M6X16	L
22	3759781M91	133060	1	CLAMP ASSY.	L
23	391026X1	133180	1	WASHER-FAN M10	L
24	3761359M91	133141	1	CABLE-THROTTLE CONTROL	L
25	3763357M1	133200	2	PIN-CLEVIS	L
26	3581900M1	133202	1	SPRING	L
27	1695287B92	133070	1	PEDAL THROTTLE	L
28	3701714M93	133050	1	CABLE-STOP CONTROL	L
29	1441268X1	313200	2	SCREW M6X25MM	L

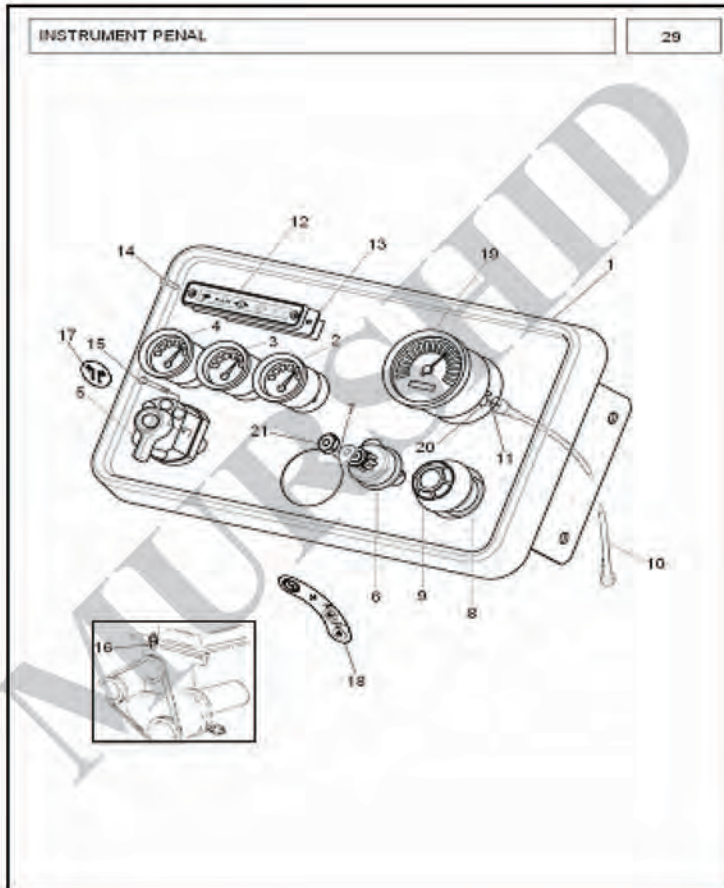
30	884080M1	133160	1	ANCHOR-SPRING	A
31	1693890M1	13016	1	FRICTION WASHER	L
32	1443615X1	133121	6	HEX NUT M4	L
33	N/a	163300	1	BRACKET HAND THROTTLE	L

**INSTRUMENT PENAL WIRING**

**MF385 2WD**



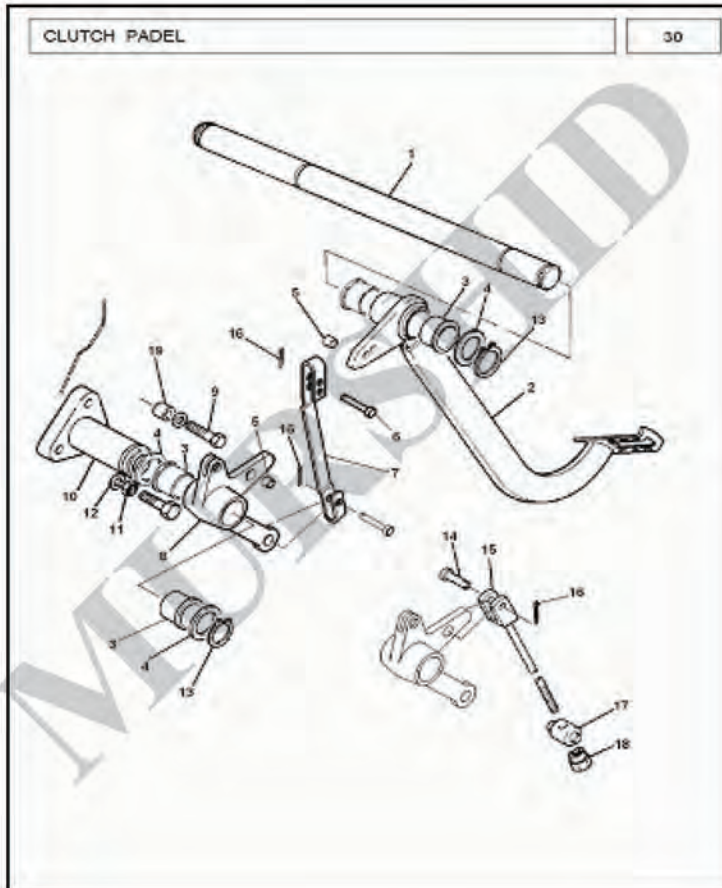
<u>ITEM</u>	<u>CKD</u>	<u>LocalPartNo</u>	<u>QTY</u>	<u>Description</u>	<u>Source</u>
1	3612863M93	133301	1	HARNESS INST. PANEL	L
2	3761977P1	363001	1	BRACKET STOP LIGHT SWITCH	L
3	3759508M91	363010	1	SWITCH- FOOT BRAKE	L
4	3762353M1	373082	1	NUT SPECIAL	L
5	339560X1	133061	2	SCREW M6X16	L
6	390971X1	133062	2	WASHER- FLATE M6	L



<u>ITEM</u>	<u>CKD</u>	<u>LocalPartNo</u>	<u>QTY</u>	<u>Description</u>	<u>Source</u>
1	2171868K91	133300	1	INST. PANEL ASSY	L
2	1672835M2	29011	1	BATTERY GAUGE	L
3	1877717M92	29010	1	FUEL GAUGE	L
4	1877719M92	29009	1	TEMPERATURE GAUGE	L
5	1682977M1	29028	1	UNIT BLINKER	L
6	1874535M3	29021	1	ASSY SWITCH HEAT / START	L
7	1695447M1	29027	2	KEY IGNITION	L
8	1668816M2	29017	1	LIGHT SWITCH	L
9	1668830M91	29018	1	KNOB LIGHT SWITCH	L
10	1699381M91	293007	1	SPEED-O-METER CABLE	L
11	N/a	29041	1	WIRE	L
12	1663555M92	293008	1	LAMP HOUSING	L
13	1669957M1	29014	1	GASKET WARNING LIGHT	L
14	377245X1	29043	1	SCREW 10 - 24 UNC - 2A L. 3/4	L
15	365921X1	29012	2	SELF TAP SCREW 10 - 16	L
16	1877721M92	29002	1	OIL PRESSURE SWITCH	I
17	1875315M1	29025	1	EMBLEM TURN SIGNAL	L
18	3760644M1	29022	1	DECAL IGNITION SWITCH	L
19	1674638M92	293201	1	TRACTOR METER	L
20	31718104	29040	1	SEAL	L
21	3762353M1	373082	1	NUT SPECIAL	L

**CLUTCH PADEL**

**MF385 2WD**



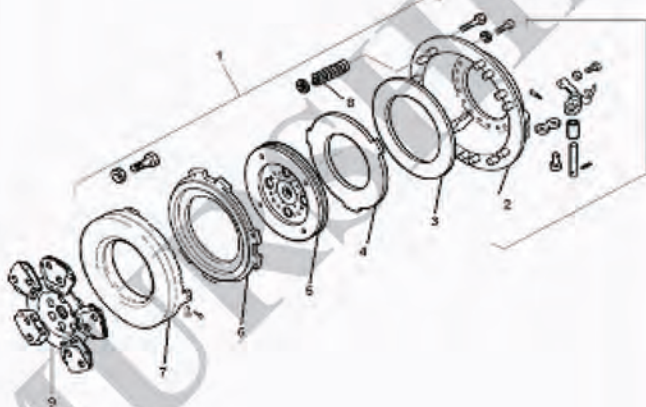
<u>ITEM</u>	<u>CKD</u>	<u>LocalPartNo</u>	<u>QTY</u>	<u>Description</u>	<u>Source</u>
1	3598034M2	113001	1	CROSS SHAFT	L
2	1696737B95	113011	1	CLUTCH PEDAL	L
3	1694676M5	113012	4	BEARING	L
4	3597362M1	113013	3	WASHER	L
5	1694687M1	113132	2	BEARING	L
6	3009923X1	113080	2	PIN- CLEVIS	L
7	3596128M2	113070	1	LINK- PIVOT/ PEDAL	L
8	1696298P4	113051	1	PIVOT-CLUTCH OPERATING	L
9	3009497X1	25300	1	BOLT M10 X 50	L
10	1696361M92	113040	1	ASSY. STUB SHAFT	L
11	339169X1	163033	3	NUT M8	L
12	339375X1	133022	3	WASHER LOCK M6	L
13	1440477X1	N/a	2	CIRCLIP	L
14	3019206X1	113131	1	PIN- CLEVIS	L
15	1696297M93	113130	1	ASSY. ROD PULL	L
16	1442992X1	113082	2	PIN-SPLIT	L
17	1694679M3	113140	1	PIN ROD ADJUSTMENT	L
18	1694680M1	113141	1	NUT	L
19	1696589M3	113060	1	STOP SPACER	L



**DUAL CLUTCH****MF385 2WD**

DUAL CLUTCH

31



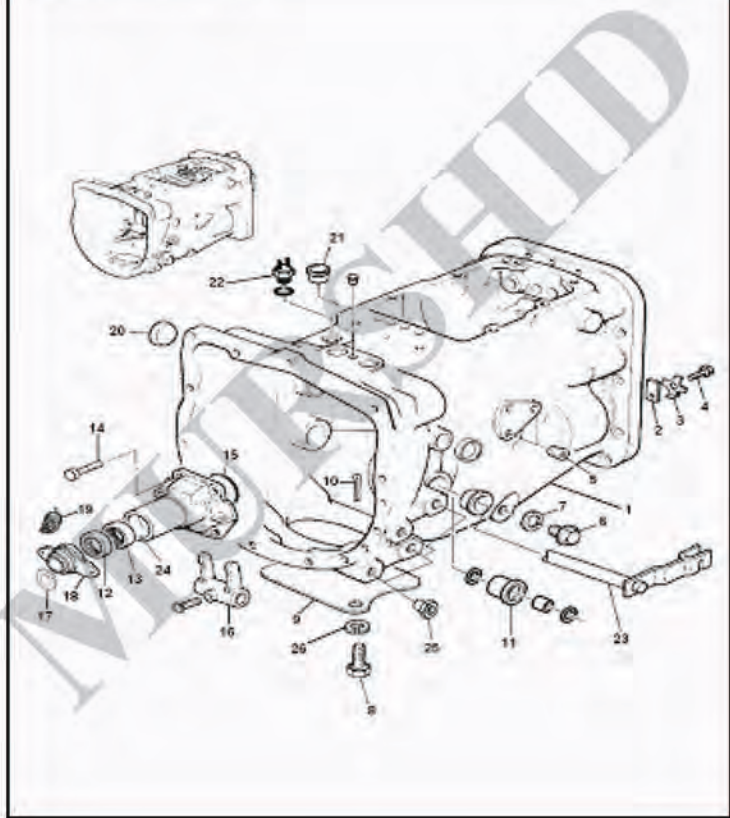
<u>ITEM</u>	<u>CKD</u>	<u>LocalPartNo</u>	<u>QTY</u>	<u>Description</u>	<u>Source</u>
1	3697162M91	463801	1	ASSY. COVER	L
2	887896M1	N/a	1	COVER	L
3	887904M1	N/a	1	BELLEVILLE SPRING	L
4	887903M1	N/a	1	PLATE	L
5	1865836M91	N/a	1	DRIVEN PLATE 12"	L
6	887902M1	N/a	1	PLATE	L
7	887907M1	N/a	1	PRESSURE PLATE	L
8	886396M1	N/a	12	SPRING	L
9	3697208M91	463802	1	ASSY. PLATE DRIVEN	L

**TRANSMISSION HOUSING**

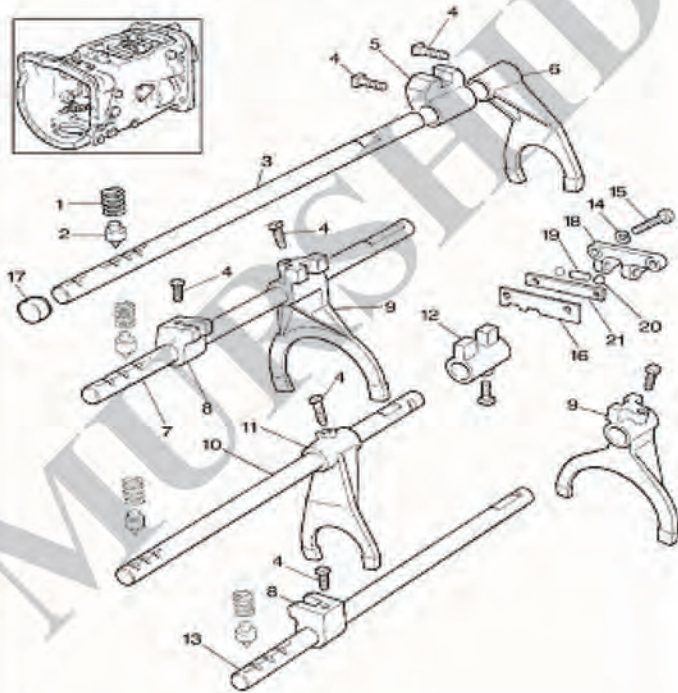
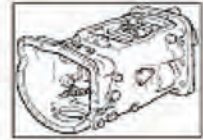
**MF385 2WD**

TRANSMISSION HOUSING

32



<u>ITEM</u>	<u>CKD</u>	<u>LocalPartNo</u>	<u>QTY</u>	<u>Description</u>	<u>Source</u>
1	3599015M2	12001	1	CASE TRANSMISSION	L
2	184789M1	12014	1	STOP REV. SHAFT	L
3	828020M1	12171	1	TAB WASHER I/D 10.32 THICK. 1.2	L
4	353690X1	12012	1	SCREW 3/8 - 16X7/8	L
5	899297M1	123390	1	PLUG-SPECIAL	L
6	884691M1	10299	1	PLUG DRAIN THREAD	L
7	180474M2	105017	1	WASHER ALUMINIUM (ALT. 10270)	L
8	354441X1	12116	2	BOLT 5/8 - 11 L. 1	L
9	964167M1	12115	1	COVER PLATE BOTTOM	L
10	354076X1	12148	1	PIN COTTER	L
11	3771461M91	123004	2	BUSH CLUTCH SHAFT	L
12	1860867M5	12126	1	OIL SEAL	L
13	886668M1	12158	1	BEARING NEEDLE	I
14	377477X1	12061	4	SCREW 3/18-16 X 7/8	L
15	886089M1	12165	1	O RING	L
16	1877497M2	113174	1	FORK- CLUTCH RELEASE BRG	L
17	892862M3	46043	1	BEARING RELEASE	I
18	886727M3	46005	1	CARRIER CLUTCH BEARING REL	L
19	1867690M2	46042	2	SPRING	L
20	1875185M1	123010	2	CAP- SEALING	L
21	894683M1	12125	2	PLUG EXPANDING	L
22	3761983M91	12131	1	ASSY SWITCH	L
23	3611933M93	113170	1	ASSY-LEVER CLUTCH RELEAS	L
24	1693837M2	123162	1	RETAINER	L
25	N/a	29032	8	PLUG (PLASTIC)	L
26	376724X1	12172	2	WASHER 5/8	L

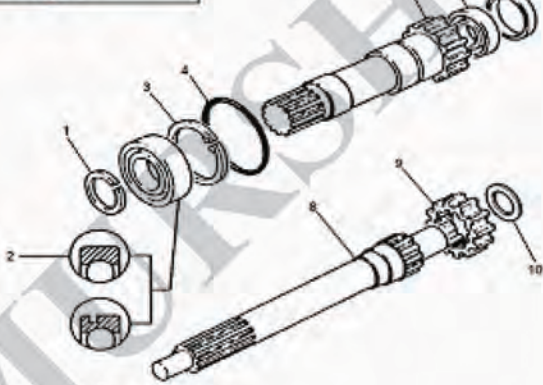
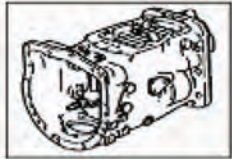


ITEM	CKD	LocalPartNo	QTY	Description	Source
1	191221M1	12173	4	SPRING SHIFTER RAIL	L
2	180418M2	12109	4	PLUNGER	L
3	3697277M1	123230	1	RAIL SHIFTER PLANET	L
4	3771408M1	12139	8	SCREW SPECIAL 3/8 - 24 UNF - 3A	L
5	180446M1	12081	1	SELECTOR - PLANET SHIFT	L
6	897065M2	12077	1	FORK PLANETARY	L
7	1693812M1	123270	1	RAIL SHIFTER REV. / LOW	L
8	1877607M1	123250	2	JAW SELECTOR	L
9	1693827M1	123262	1	FORK SHIFTER	L
10	1693814M1	123260	1	RAIL SHIFTER 1ST & REV	L
11	1693828M1	12093	1	SHIFT FORK	L
12	1862868M2	12094	1	SELECTOR	L
13	1693820M1	123261	1	RAIL SHIFTER 2ND/3RD	L
14	353434X1	10075	1	WASHER LOCK	L
15	354262X1	12103	2	BOLT 3/8-16 X 1-1/2	L
16	1860764M3	12098	1	PLATE STOP	L
17	3614857M1	12127	1	PLUG	L
18	1860761M1	12100	1	RETAINER BALL	L
19	1860767M1	12101	1	PIN	L
20	391838X1	12167	2	STEEL BALL	L
21	1860765M2	12052	1	PIECE PACKING	L

**INPUT SHAFT****MF385 2WD**

INPUT SHAFT

34

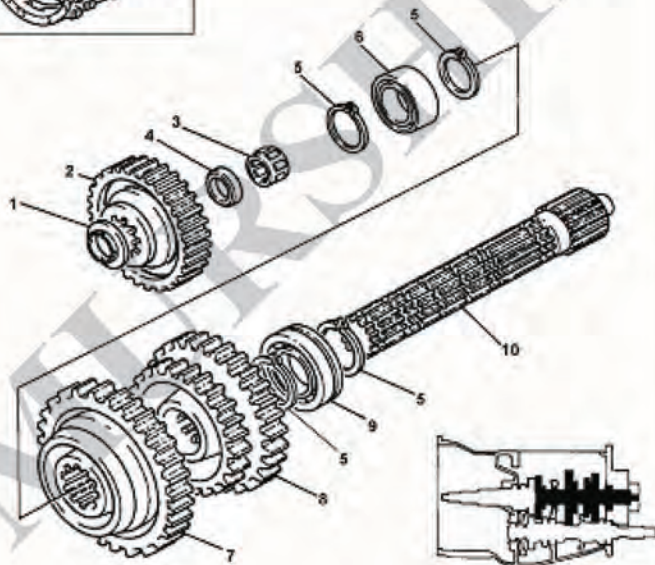
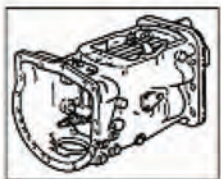


<u>ITEM</u>	<u>CKD</u>	<u>LocalPartNo</u>	<u>QTY</u>	<u>Description</u>	<u>Source</u>
1	762101M1	12163	1	SNAP RING	L
2	GK2151	12159	1	BEARING	I
3	377631X1	12146	1	RETAINING RING	L
4	886089M1	12165	1	O RING	L
5	1671705M1	12042	1	PINION	L
6	1860011M1	14095	1	OIL SEAL	L
7	1693782M1	123206	1	THRUST WASHER	L
8	1693790M1	123171	1	INPUT SHAFT 21 T	L
9	1693760M1	123090	1	PINION C/M 32 T	L
10	964944M1	12135	1	DISTANCE PIECE	L

**MAIN SHAFT****MF385 2WD**

MAIN SHAFT

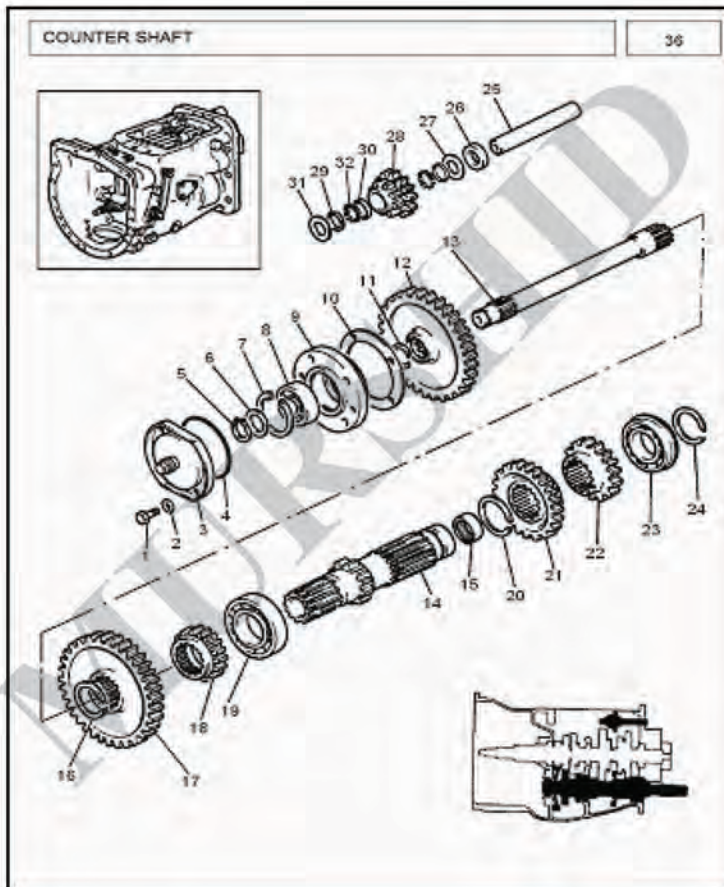
35



<u>ITEM</u>	<u>CKD</u>	<u>LocalPartNo</u>	<u>QTY</u>	<u>Description</u>	<u>Source</u>
1	964944M1	12135	1	DISTANCE PIECE	L
2	1682690M1	12036	1	GEAR DRIVEN 3RD	L
3	2700273M1	12156	1	ROLLER NEEDLE	L
4	2700274M2	12133	1	SPACER	L
5	195363M1	12161	4	SNAP RING	L
6	338552X1	12157	1	ROLLER BEARING	I
7	1682688M1	12029	1	GEAR MAIN SHAFT LOW	L
8	1682691M1	12030	1	GEAR MAIN INT./HIGH	L
9	3008252X1	12154	1	BALL BEARING	I
10	1687642M1	123070	1	MAIN SHAFT	L

**COUNTER SHAFT**

**MF385 2WD**

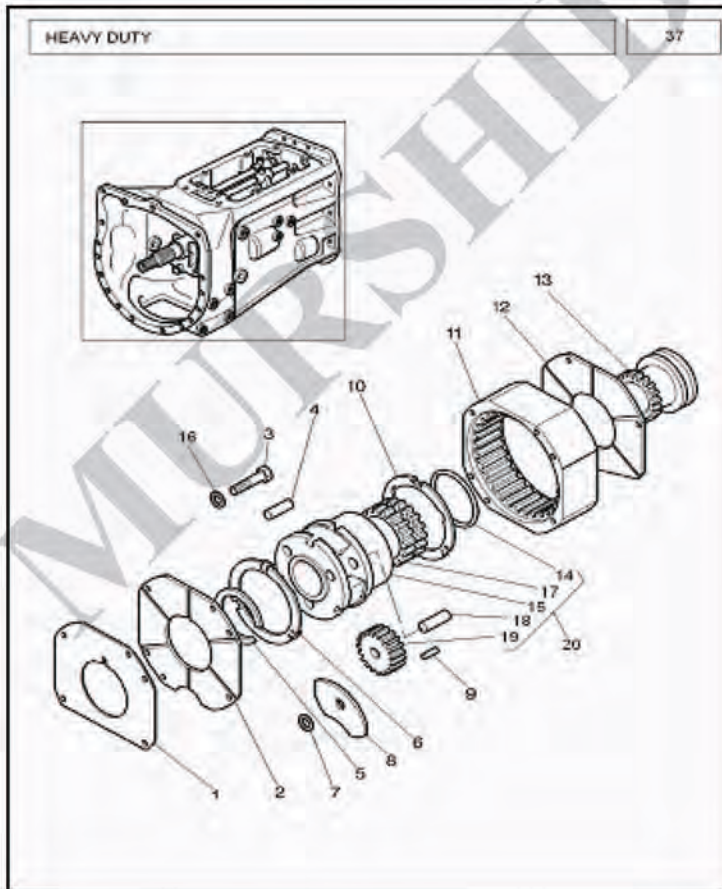


<u>ITEM</u>	<u>CKD</u>	<u>LocalPartNo</u>	<u>QTY</u>	<u>Description</u>	<u>Source</u>
1	377479X1	12057	4	BOLT 3/8-16 X 1.1/4	L
2	353771X1	12058	4	WASHER-HARDENED 3/8	L
3	883620M1	12056	1	CAP FRONT PTO BRG HOUSING	L
4	1004633M1	12152	1	O RING	L
5	899385M1	12164	1	SNAP RING	L
6	881122M2	12169	1	RETAINING RING	L
7	355988X1	12162	1	SNAP RING INLET	L
8	899377M2	12155	1	BEARING	I
9	899331M1	12050	1	HOUSING FRONT PTO BRG	L
10	180432M1	12129	1	GASKET PTO BEARING. HOUSING	L
11	358913X1	12145	1	SNAP RING	L
12	1671706M4	12038	1	GEAR PTO C/MESH 53 T	L
13	1868533M1	12047	1	SHAFT FRONT PTO DRIVE	L
14	906472M2	12015	1	COUNTER SHAFT	L
15	195453M1	10277	1	BEARING NEEDLE	I
16	195499M1	12168	1	SNAP RING	L
17	1693755M1	123056	1	GEAR-C/MESH 41 T	L
18	964916M1	12024	1	PINION C/SHAFT 3RD	L
19	195507M1	12153	1	BALL BEARING	I
20	195500M1	12160	1	CIRCLIP	L
21	180415M1	12018	1	PINION COUNTER SHAFT HIGH	L
22	180419M1	12019	1	PINION- INTERMEDIATE	L
23	3008252X1	12154	1	BALL BEARING	I
24	195363M1	12161	1	SNAP RING	A
25	180445M1	12004	1	SHAFT - REVERSE CUSTER	L
26	189449M1	12011	1	SPACER	L
27	180458M1	12140	1	WASHER I/D25.42 OD41.148 T1.52/1.60	L
28	183040M1	12006	1	GEAR REVERSE CLUSTER	L
29	183037M1	12141	2	WASHER GEAR RETAIN ID25.91 OD30.48	L

30	183038M1	12134	1	SPACER	L
31	180458M1	12140	1	WASHER I/D25.42 OD41.148 T1.52/1.60	L
32	183039M1	12166	56	ROLLER NEEDLE	I

**HEAVY DUTY**

**MF385 2WD**



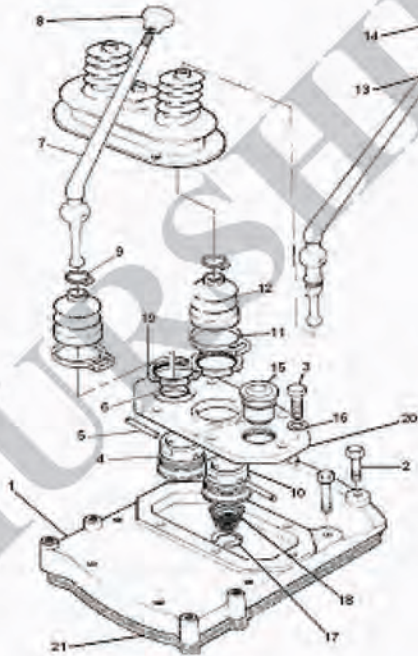
ITEM	CKD	LocalPartNo	QTY	Description	Source
1	1867426M1	123202	1	SHIM	L
2	1867425M1	123203	1	PLATE FRONT COVER	L
3	354271X1	12073	4	BOLT 3/8-16 X 2-3/4	L
4	180409M1	12065	2	DOWEL	L
5	377424X1	123191	1	RING RETAINING	A
6	1866545M2	123205	1	THRUST WASHER	I
7	1866543M1	123199	3	WASHER	A
8	1866542M1	123198	6	THRUST WASHER	A
9	1866553M2	123200	96	ROLLER NEEDLE	I
10	1866545M2	123205	1	THRUST WASHER	I
11	1867424M2	123204	1	GEAR-PLANETARY RING	L
12	1867423M1	123210	1	PLATE R/COVER	L
13	1866557M2	123220	1	COUPLER-PLAN SHIFT	L
14	1866539	123195	1	RING	L
15	1866537	123196	1	CARRIER	L
16	353434X1	10075	1	LOCK WASHER	L
17	1866544M1	123194	1	SPLINED RING	L
18	1866538M2	213192	1	SHAFT	L
19	1866552	123197	1	PINION	L
20	2521194K93	123190	1	ASSY- EPICYCLIC CARRIER	L

**SHIFT TOWER AND LEVER**

**MF385 2WD**

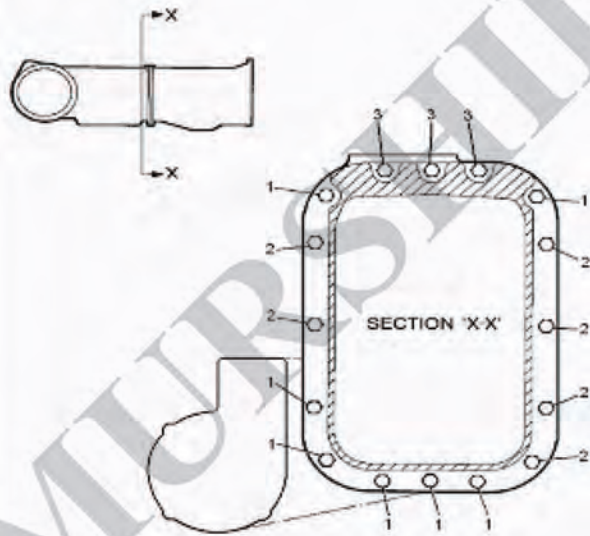
SHIFT TOWER AND LEVER

38



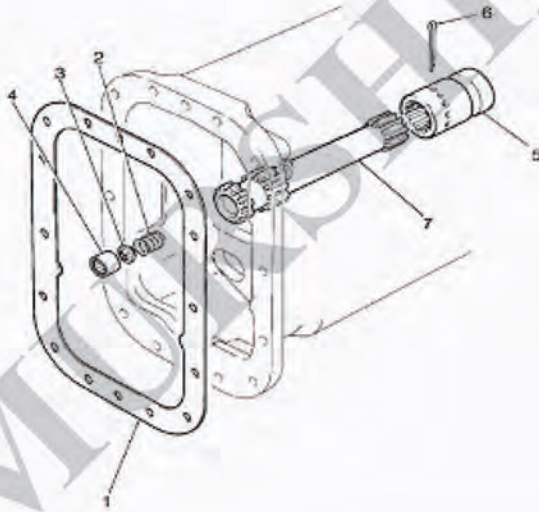
<u>ITEM</u>	<u>CKD</u>	<u>LocalPartNo</u>	<u>QTY</u>	<u>Description</u>	<u>Source</u>
1	1696231M1	473090	1	SHIFT TOWER	L
2	377823X1	473091	2	BOLT-TOWER/TRANS.CASE	L
3	339814X1	473080	5	BOLT M10X35MM	L
4	1694128M2	473010	1	CUP PLANETARY SHIFT	L
5	1678440M1	473050	2	PIN-LEVER SHIFT	L
6	831527M1	473011	1	O-RING	L
7	1696207M2	473040	1	LEVER-PLANETARY SHIFT	L
8	3610003M1	473070	1	KNOB PLANTARY	L
9	3701640M1	473100	2	CLIP'SNAPPER'	L
10	1673899M2	473030	1	CUP GEAR SHIFT LEVER	L
11	3009816X1	473051	2	CLIP'SNAPPER'	L
12	1694127M3	473041	2	COVER-LEVER GEAR SHIFT (PIPE)	L
13	3596485M2	473060	1	LEVER- GEAR SHIFT	L
14	3599996M1	473071	1	KNOB	L
15	25918M91	473007	1	FILLER ASSEMBLY	L
16	339376X1	163181	5	WASHER LOCK M10	L
17	192007M1	16038	1	SPRING GEAR SHIFTER	L
18	368233X1	473032	1	RING- RETAINING EXT.	L
19	827211M1	16012	2	LOCKING-RING	L
20	3597740K92	473005	1	ASSY TOP COVER	L
21	180511M1	47002	1	GASKET SHIFT TOWER	L



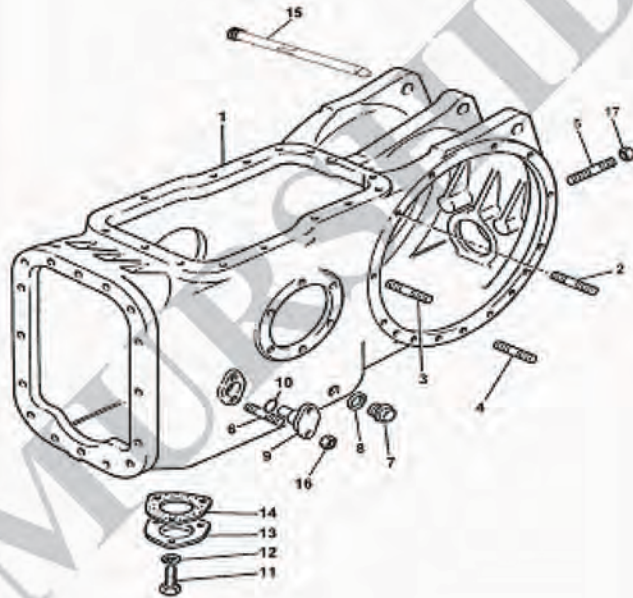


<u>ITEM</u>	<u>CKD</u>	<u>LocalPartNo</u>	<u>QTY</u>	<u>Description</u>	<u>Source</u>
1	377824X1	50013	7	BOLT 7/16 - 14 UNC - 2A L.35MM	L
2	377181X1	50010	6	BOLT 7/16-20 X 1.3/3	L
3	377825X1	50012	3	BOLT 7/16 - 14 UNC -2A L. 57 MM	L

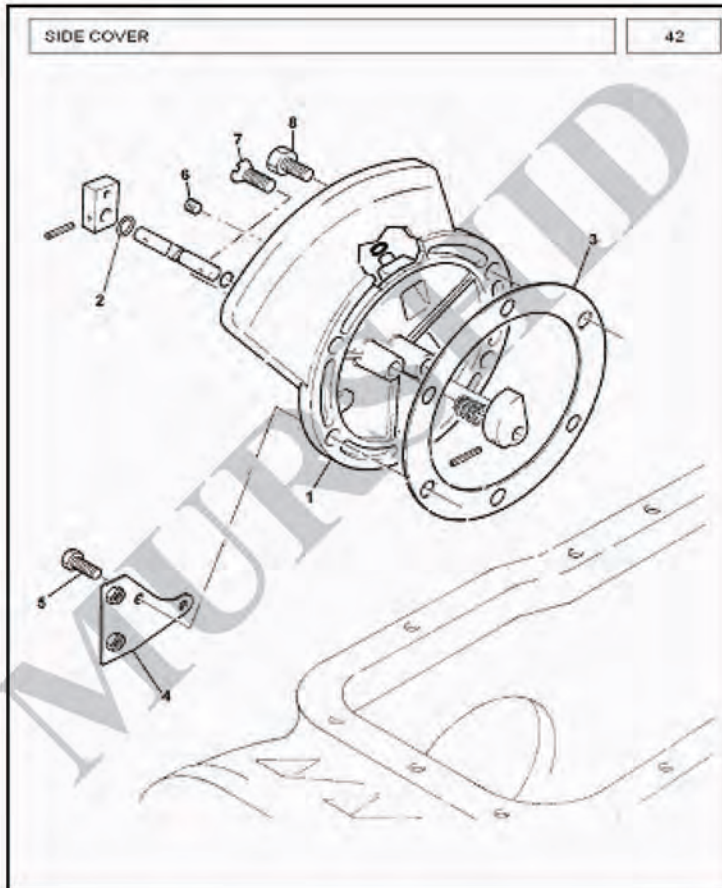




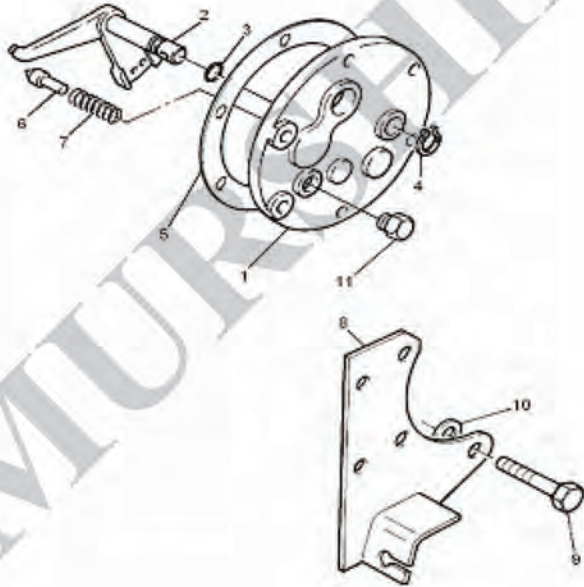
<u>ITEM</u>	<u>CKD</u>	<u>LocalPartNo</u>	<u>QTY</u>	<u>Description</u>	<u>Source</u>
1	3599804M2	50020	1	GASKET	L
2	886352M1	50026	1	SPRING	L
3	886353M1	50007	1	ABUTMENT	L
4	195513M1	50024	1	BEARING ROLLER	I
5	1680189M1	503020	1	COUPLER-REAR DRIVE HD	L
6	3701695M1	50023	1	PIN COTTER	L
7	1866531M1	503012	1	SHAFT REAR DRIVE	L

**CENTER HOUSING****MF385 2WD**

<u>ITEM</u>	<u>CKD</u>	<u>LocalPartNo</u>	<u>QTY</u>	<u>Description</u>	<u>Source</u>
1	1686507M2	10001	1	CENTRE HOUSING	L
2	377617X1	103014	2	STUD AXLE HSNQ. 1/2-13 UNC(P.DIA)	L
3	377616X1	103013	4	STUD AXLE HSNQ. 1/2-13 UNC(P.DIA)	L
4	377617X1	103014	6	STUD AXLE HSNQ. 1/2-13 UNC(P.DIA)	L
5	1860900M2	10002	4	STUD 1/2-13 UNC1/2-20 UNF-3A L66.7	L
6	195569M2	11043	4	STUD 5/16-24 UNF-3A	L
7	884691M1	10299	1	PLUG DRAIN THREAD	L
8	2415715	18658	1	O RING	L
9	898643M1	11040	2	PIN PUMP SUPPORT	L
10	851258M1	11077	2	O RING (762026M1)	L
11	353676X1	41004	3	SCREW 5/15-18X5/8	L
12	353446X1	19017	3	WASHER 5/16	L
13	1869491M1	41002	1	PLATE COVER	L
14	1660551M2	41005	1	GASKET	L
15	180901M91	40001	1	PIN ASSY	L
16	353916X1	34017	2	NUT 5/16 - 24UNF	L
17	363627X1	25006	4	NUT 1/2-20	L

**SIDE COVER****MF385 2WD**

<u>ITEM</u>	<u>CKD</u>	<u>LocalPartNo</u>	<u>QTY</u>	<u>Description</u>	<u>Source</u>
1	1872648M91	26074	1	ASSY RESPONSE COVER	L
2	377424X1	123191	1	RING RETAINING	A
3	1688222M3	26075	1	GASKET-SIDE COVER	L
4	25772P91	103675	1	MOUNTING PLATE RH	L
5	353700X1	40006	4	BOLT 7/16-14 X 1-1/4	L
6	825031M2	26002	1	PLUG 3/8 - 18 N.P.T.F.	L
7	3772195M1	40043	1	PTCHD. SCREW 7/16-14 UNC-2A L0.7872	L
8	3771826M1	40041	9	PTCHD BOLT 7/16-14 UNC-2A L.1	L

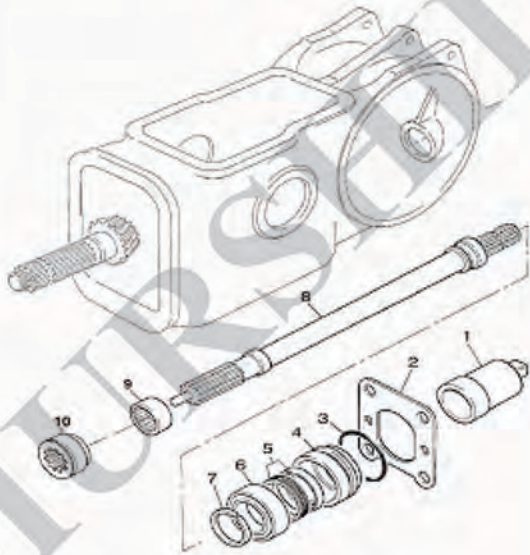


<u>ITEM</u>	<u>CKD</u>	<u>LocalPartNo</u>	<u>QTY</u>	<u>Description</u>	<u>Source</u>
1	1694094M2	103655	1	COVER PTO SHIFT	L
2	1870594M94	27003	1	ASSY-LEVER INTERNAL	L
3	195562M1	26116	1	O RING	L
4	353213X1	27093	1	CIRCLIP EXTERNAL	L
5	1688222M3	26075	1	GASKET-SIDE COVER	L
6	180418M2	12109	1	PLUNGER	L
7	191221M1	12173	1	SPRING SHIFTER RAIL	L
8	25773P91	103665	1	MOUNTING PLATE LH	L
9	3771827M1	40042	3	PTCHD BOLT7/16-14 UNC-2A L.1-1/4	L
10	1665420M1	103670	1	SPACER	L
11	3019645X91	27098	1	PLUG ASSY.	L

**PTO DRIVE MACHANISM - SINGLE SPEED****MF385 2WD**

PTO DRIVE MACHANISM SINGLE SPEED

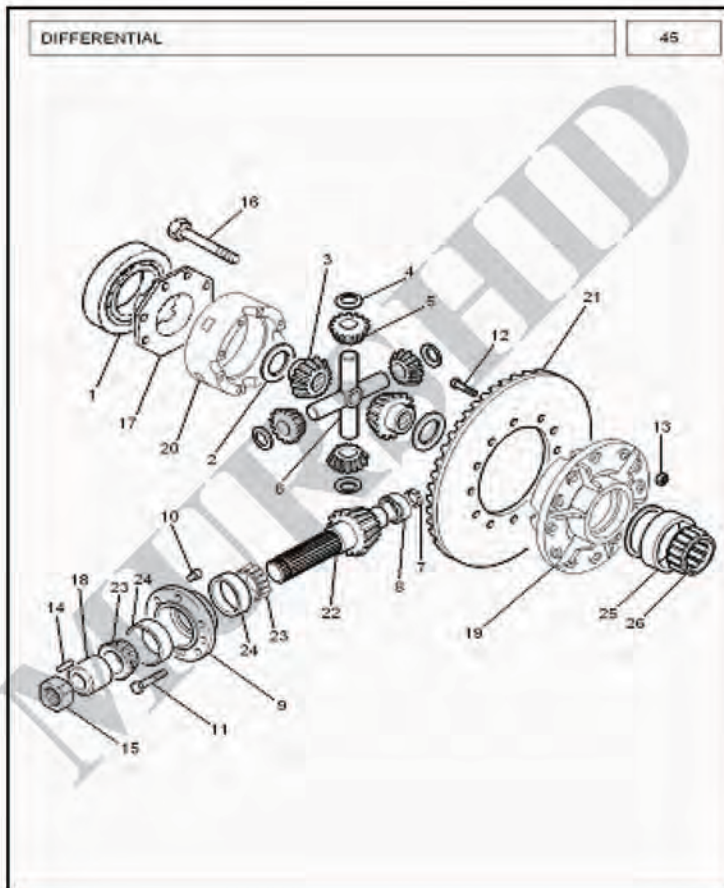
44



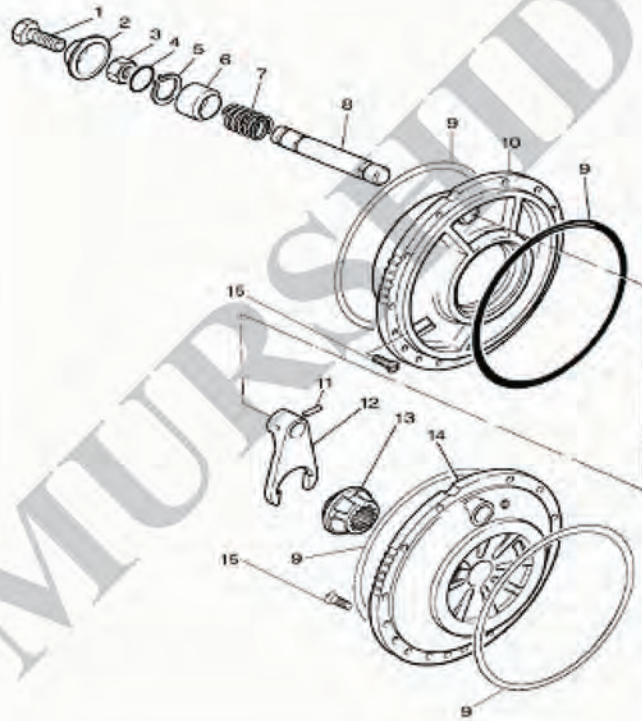
<u>ITEM</u>	<u>CKD</u>	<u>LocalPartNo</u>	<u>QTY</u>	<u>Description</u>	<u>Source</u>
1	532888M2	10292	1	CAP PTO (PLASTIC)	L
2	1663254M1	103085	1	RETAINER PTO BEARING	L
3	1004633M1	12152	1	O RING	L
4	3599002M3	10017	1	RETAINER PTO	L
5	3699801M1	10122	1	SEAL PTO	L
6	391162X1	92005	1	BALL BEARING	I
7	831581M2	92004	1	RING SNAP	L
8	3599002M3	10013	1	ASSY. PTO SHAFT	L
9	195453M1	10277	1	BEARING NEEDLE	I
10	3599630M1	10119	1	COUPLER	L

**DIFFERENTIAL**

**MF385 2WD**



<u>ITEM</u>	<u>CKD</u>	<u>LocalPartNo</u>	<u>QTY</u>	<u>Description</u>	<u>Source</u>
1	1850909M91	10274	1	ASSY CUP & CONE BEARING	I
1	K37425	10274	1	ASSY CUP & CONE BEARING	I
1	K37625	10274	1	ASSY CUP & CONE BEARING	I
2	897726M1	10266	2	THRUST WASHER ID76.23/76.2 OD105.4	L
3	885518M1	10044	2	GEAR DIFF (GEAR SUN)	L
4	3387281M1	10267	4	WASHER DIFF. ID25.75 OD52.32/49.78	L
5	2746322M1	10047	4	PINION DIFF. (PINION PLANETARY)	L
6	12746135	10118	1	JOINT DIFF. CROSS (MACHINING)	L
7	196097M1	10273	1	RING SNAP PINION BEARING	L
8	191250M1	10278	1	BEARING PILOT PINION	I
9	518861M91	10300	1	ASSY. SLEEVE	B
10	181253M1	10027	1	PIN PINION BEARING LOCK	L
11	899199M1	10033	6	BOLT P. SLEEVE 9/16-12UNC-2A L1-1/4	L
12	825776M1	10265	12	BOLT 1/2 - 20 - 2A	L
13	891947M1	10287	12	NUT	L
14	3612442M1	10279	2	ROLLER NEEDLE	I
15	532956M1	10032	1	NUT PINION	L
16	882232M1	10040	8	SCREW 1/2 - 13 UNC - 3A	L
17	898712M2	103121	1	CAP DIFF. COUPLING	L
18	1661065M1	10030	1	SPACER PINION	L
19	893223M2	103111	1	DIFF. CASE LH	L
20	892174M1	103112	1	DIFF. CASE RH	L
21	1693730M1	103099	1	CROWN WHEEL	L
22	1693731M1	103097	1	DRIVING PINION 8-TEETH	L
23	185777M1	10275	2	BEARING CONE & ROLLER	I
24	185778M1	10276	2	CUP BEARING	I
25	833639M1	103113	1	CUP BEARING	I
26	831343M2	103586	1	BEARING CONE & ROLLER	I

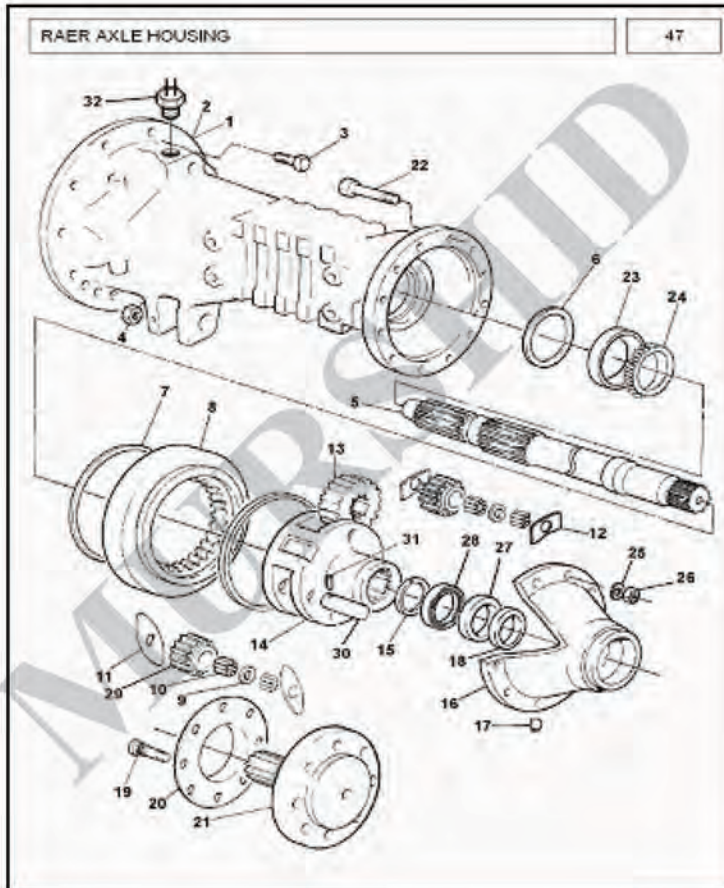


<u>ITEM</u>	<u>CKD</u>	<u>LocalPartNo</u>	<u>QTY</u>	<u>Description</u>	<u>Source</u>
1	3595018M1	733066	1	SCREW- DIFF. LOCK	L
2	906811M1	733069	1	BOOT	L
3	353428X1	733068	1	HEX NUT 7/16 - 20	L
4	851258M1	11077	1	O RING (762026M1)	L
5	358950X1	733065	1	RING SNAP	L
6	3611355M1	733060	1	COLLAR DIFF LOCK	L
7	1694353M1	733064	1	SPRING	L
8	3613150M1	733061	1	SHAFT DIFF LOCK	L
9	1860838M1	103392	4	O-RING	L
10	1860881M1	103391	1	PLATE DIFF CARRIAR RH	L
11	355723X1	733063	1	PIN ROLL LOCK FORK	L
12	906807M1	733062	1	FORK DIFF LOCK (OLD NO 105004)	L
13	897003M3	103429	1	COUPLER DIFF LOCK	L
14	1687863M3	103583	1	PLATE DISC BRAKE LH	L
15	376407X1	103390	4	SCREW 5/16 - 24 L. 1	L



**REAR AXLE HOUSING**

**MF385 2WD**

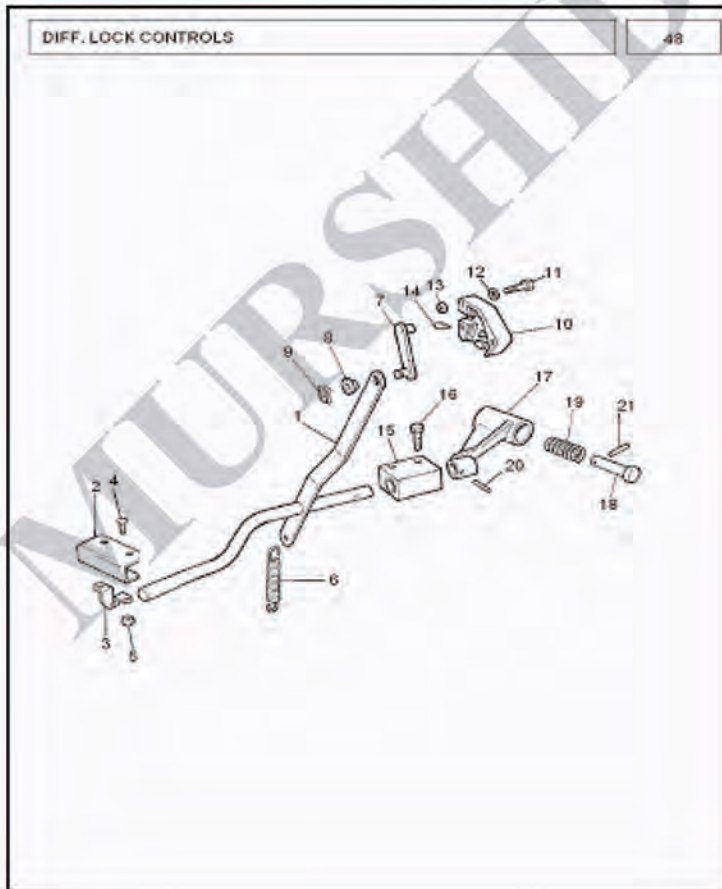


<u>ITEM</u>	<u>CKD</u>	<u>LocalPartNo</u>	<u>QTY</u>	<u>Description</u>	<u>Source</u>
1	3759144M3	103480	1	AXLE HOUSING LH	L
2	3759143M3	103300	1	AXLE HOUSING RH	L
3	377622X1	103590	18	BOLT 1/2 - 13 UNC - 2A L.1-7/8	L
4	377626X1	10094	12	NUT 1/2-20 AXLE HOUSING	L
5	1678303M1	103344	2	AXLE SHAFT	L
6	894758M1	103482	1	SHIM	L
7	3759196M1	103347	4	SEAL EPICYCLIC ND	L
8	1693732M2	103346	2	GEAR INTERNAL	L
9	1693735M1	103307	6	WASHR.BARNG.RET. 26.7/27.0 OD38.8	A
10	1693736M1	103306	192	ROLLER NEEDLE	I
11	184441M1	103308	8	THRUST WASHER (6206357M1)	A
12	894867M1	103311	4	THR. WASHER I/D 26.34/26.85	A
13	1693731M1	103097	2	DRIVING PINION	L
14	1864872M4	103000	2	ASSY CARRIER REAR AXLE	L
15	882603M1	103314	4	RING RETAINING	L
16	3759150M2	103331	2	COVER	L
17	347341X1	103332	2	PLUG DRAIN 1/8 - B.S.P. TAPPER	L
18	3699800M2	103333	2	OIL SEAL	L
19	847416M1	103343	16	BOLT AXLE WHEEL	L
20	894756M1	103341	2	OIL SEAL	L
21	884850M3	103342	2	AXLE WHEEL	L
22	361785X1	103526	24	BOLT 7/16 - 20 L. 3.88	L
23	22020X	103301	2	CUP BEARING	I
24	894776M1	103302	2	BEARING CONE & ROLLER	I
25	376721X1	10268	24	WASHER 7/16	L
26	363625X1	11027	24	NUT 7/16-20	L
27	882967M1	103334	2	CUP BEARING	L
28	884792M2	103335	2	BEARING CONE & ROLLER	L
29	1693734M1	103305	6	PINION PLANTARY	L

30	1864869	103309	6	SHAFT PLANTARY PINION	L
31	1864852M1	103310	6	PIN SPIROL	A
32	3763601M1	373074	1	SWITCH DIFF. LOCK	L

**DIFF.LOCK CONTROLS**

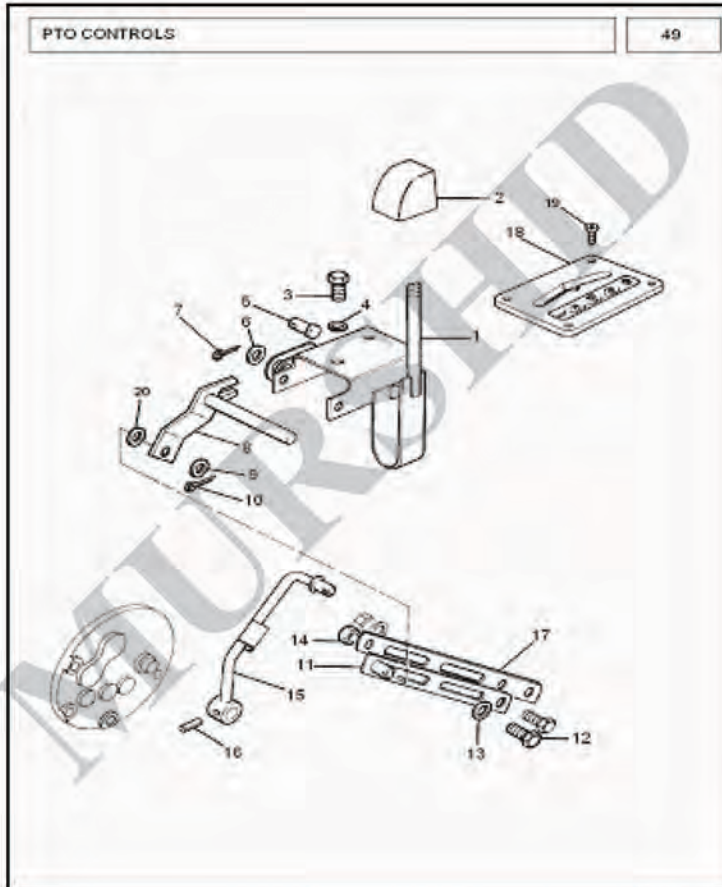
**MF385 2WD**



<u>ITEM</u>	<u>CKD</u>	<u>LocalPartNo</u>	<u>QTY</u>	<u>Description</u>	<u>Source</u>
1	3595010M93	733012	1	PEDAL- WELDED ASSY	L
2	3595064P2	733021	1	PAD- PEDAL	L
3	3595004M2	733022	1	CLAMP	L
4	385427X1	733020	2	CARRIAGE-BOLT M6 X 16	L
5	339030X1	133023	2	NUT HEX M6	L
6	3597148M1	733050	1	SPRING- TENSION	L
7	3595006M92	733032	1	ASSY- BAR	L
8	1695461M1	133090	1	BEARING-NYLON	L
9	3595005M1	733045	1	CLIP- SAFETY	I
10	3595008M1	733030	1	BLOCK- GUIDE	L
11	339009X1	733033	3	SET SCREW M8 X 35MM	L
12	390972X1	163052	3	WASHER FLAT M8	L
13	394367X1	213022	3	NUTM8	L
14	3595007M2	733031	1	PAWL	L
15	3597685M1	733010	1	PIVOT DIFF. LOCK PEDAL	L
16	339011X1	303025	2	BOLT M8 X 45MM	L
17	3595016G1	733001	1	HOUSING- SPRING D/LOCK	L
18	3595017M1	733002	1	SHAFT	L
19	1696897M1	733003	1	SPRING	L
20	1441741X1	733013	1	PIN-SPIROL	I
21	3019295X1	733004	1	PIN- PIVOT SPRING	I

**PTO CONTROLS**

**MF385 2WD**

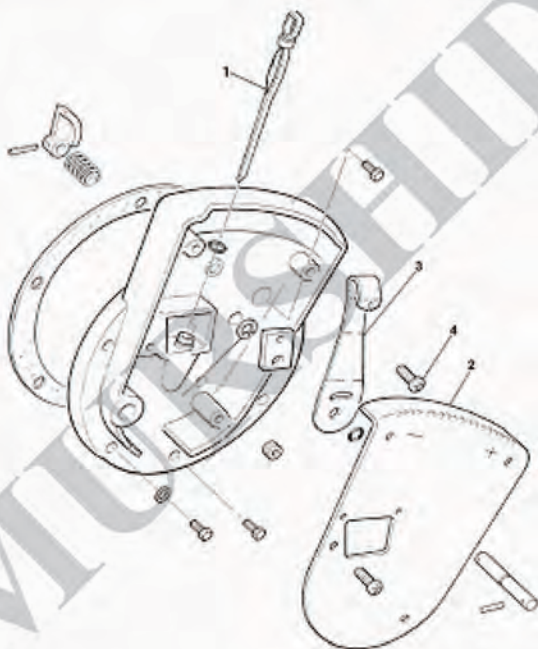


<u>ITEM</u>	<u>CKD</u>	<u>LocalPartNo</u>	<u>QTY</u>	<u>Description</u>	<u>Source</u>
1	25916M93	713050	1	ASSY. LEVER PTO CONTROL	L
2	3595275M2	713051	1	KNOB- LEVER PTO CONTROL	L
3	339761X1	163051	2	SCREW	L
4	390972X1	163052	2	WASHER FLAT M8	L
5	3019205X1	713034	1	CLEVIS- PIN	L
6	390735X1	343005	1	WASHER FLAT M12	L
7	1442992X1	113082	1	PIN-SPLIT	L
8	3612840M1	713033	1	LEVER PTO	L
9	390735X1	343005	2	WASHER FLAT M12	L
10	1442993X1	713011	2	PIN-SPLIT	L
11	3597754M91	713035	1	ASSY-LINK	L
12	339560X1	133061	2	SCREW M6X16	L
13	391038X1	163151	2	WASHER-FLAT M6	L
14	339030X1	133023	2	NUT HEX M6	L
15	1694736G94	713001	1	ASSY. LEVER PTO	L
16	3019311X1	713006	1	COILED SPRING PIN	I
17	3611703M1	713037	1	LINK	L
18	3614107M1	713040	1	GATE	L
19	3001753X1	713041	4	SCREW- PAN HEAD M6X16	L
20	377103X1	713012	1	WAVED WASHER	A

**RESPONSE CONTROLS****MF385 2WD**

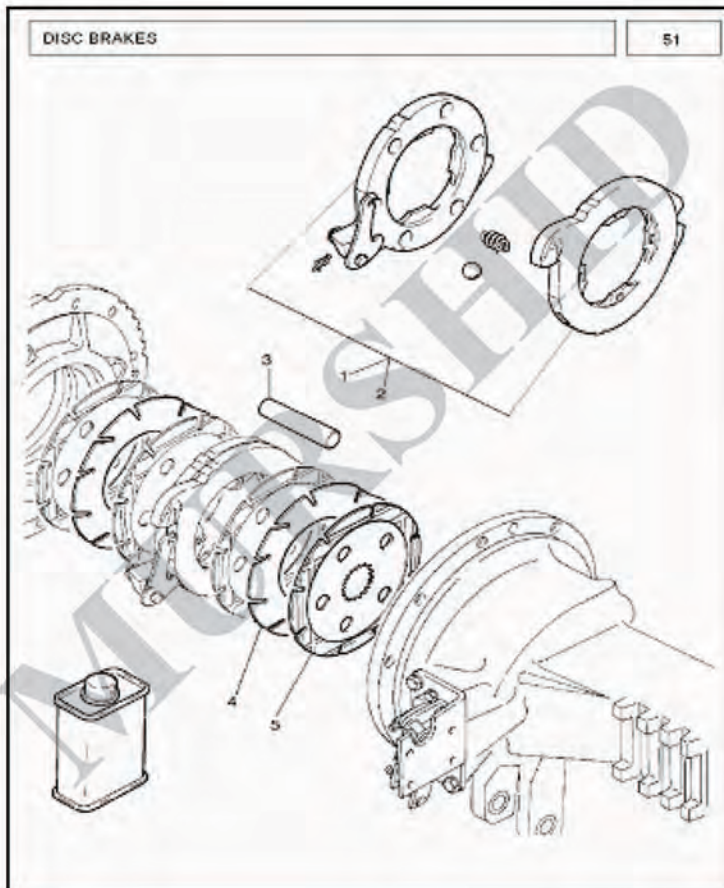
RESPONSE CONTROLS

50



<u>ITEM</u>	<u>CKD</u>	<u>LocalPartNo</u>	<u>QTY</u>	<u>Description</u>	<u>Source</u>
1	1665962M91	26087	1	ASSY INDICATOR OIL LEVEL	L
2	1668053M2	26079	1	PLATE DRAFT RESPONSE	L
3	1662278M2	26076	1	LEVER-RESPONSE CONTROL	L
4	1869138M1	26119	3	SCREW 10-32 UNF - 2A	L



**DISC BRAKES****MF385 2WD**

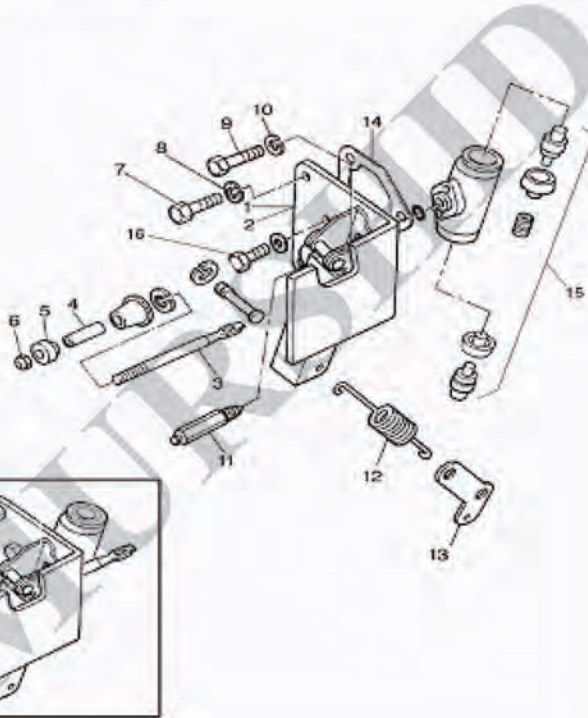
<u>ITEM</u>	<u>CKD</u>	<u>LocalPartNo</u>	<u>QTY</u>	<u>Description</u>	<u>Source</u>
1	3596776M91	103573	1	ASSY-ACTUATOR LH	I
1	A73320274	103573	1	ASSY-ACTUATOR LH	I
2	3596778M91	103371	1	ASSY-ACTUATOR RH	I
2	A73320275	103371	1	ASSY-ACTUATOR RH	I
3	1860956M1	103385	2	PIN REACTION	L
4	1860965M2	103373	4	DISC INTERMEDIATE	I
5	1860964M2	103372	8	DISC FRICTION MIDDLE	I

**SLAVE CYLINDER**

**MF385 2WD**

BRAKES (SLAVE CYLINDER)

52

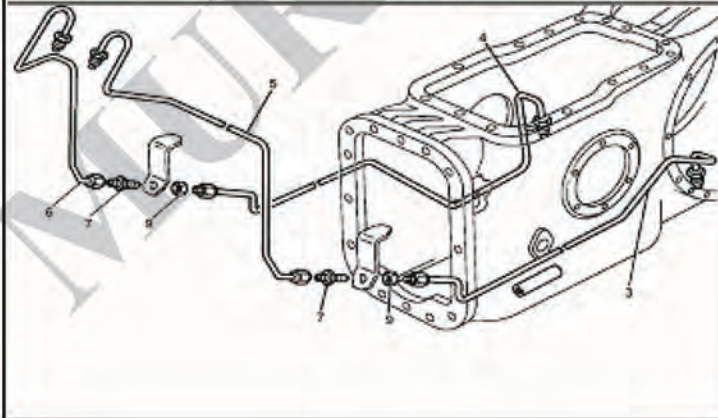
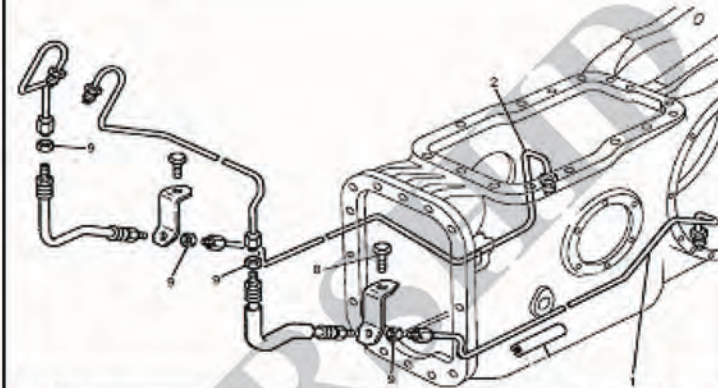


<u>ITEM</u>	<u>CKD</u>	<u>LocalPartNo</u>	<u>QTY</u>	<u>Description</u>	<u>Source</u>
1	3477380M91	103577	1	ASSY- COVER PLATE LH	I
1	3596781M94	103577	1	ASSY- COVER PLATE LH	I
1	A73067175	103577	1	ASSY- COVER PLATE LH	I
2	3477381M91	103375	1	ASSY- COVER PLATE RH	I
2	3596782M95	103375	1	ASSY- COVER PLATE RH	I
2	A73067176	103375	1	ASSY- COVER PLATE RH	I
3	3596780M1	103386	2	PULL ROD	L
4	3597079M1	103576	2	SPACER TUBE	L
5	3596783M1	103377	2	SPHEIRCAL WASHER	L
6	1440329X1	103378	2	NYLON NUT M10	L
7	353690X1	12012	4	SCREW 3/8 - 16X7/8	L
8	353434X1	10075	4	WASHER LOCK 3/8"	L
9	353691X1	103379	2	SCREW 3/8 16X1	L
10	353434X1	10075	2	WASHER LOCK 3/8"	L
11	3596770M1	103376	2	BLEED SCREW	L
12	1682818M1	103382	2	SPRING	L
13	3597162M1	103381	2	ANCHOR PLATE	L
14	1860960M2	103660	2	GASKET	L
15	3477380M91	103692	2	WHEEL CYLINDER ASSY	L
16	339123X1	25303	4	BOLT M-8 X 20 (339123X1)	L

**HYDRAULIC PIPES****MF385 2WD**

HYDRAULIC PIPES

53

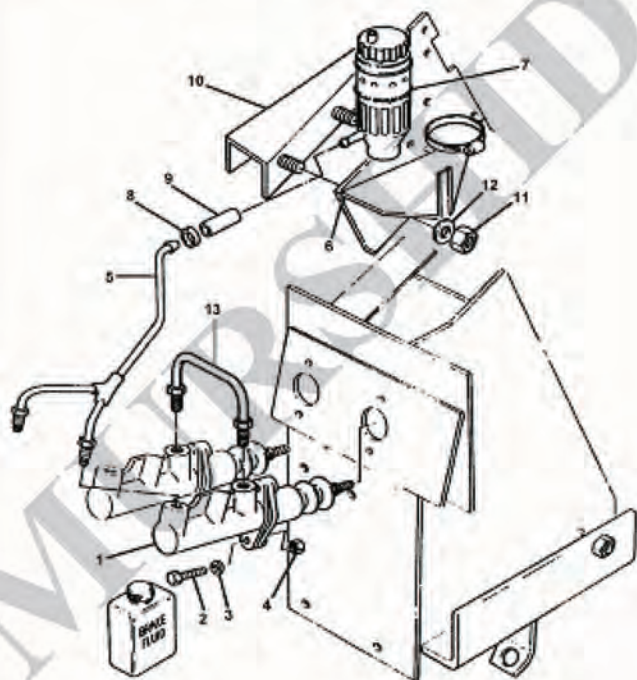


<u>ITEM</u>	<u>CKD</u>	<u>LocalPartNo</u>	<u>QTY</u>	<u>Description</u>	<u>Source</u>
1	25900M91	114005	1	ASSY. TUBE REAR LH	A
2	25901M91	114010	1	ASSY. TUBE REAR RH	A
3	25902M91	113150	1	ASSY - TUBE LH	L
4	25903M91	113151	1	ASSY - TUBE RH	L
5	3614908M93	113090	1	ASSY. TUBE LH	L
6	3614907M93	113091	1	ASSY. TUBE RH	L
7	3595548M1	113100	2	DOUBLE MALE CONNECTOR	L
8	3009491X1	163084	2	SCREW M10 X20MM	L
9	3001233X1	113101	6	NUT- THIN	L

**MASTER CYLINDER****MF385 2WD**

MASTER CYLINDER

54



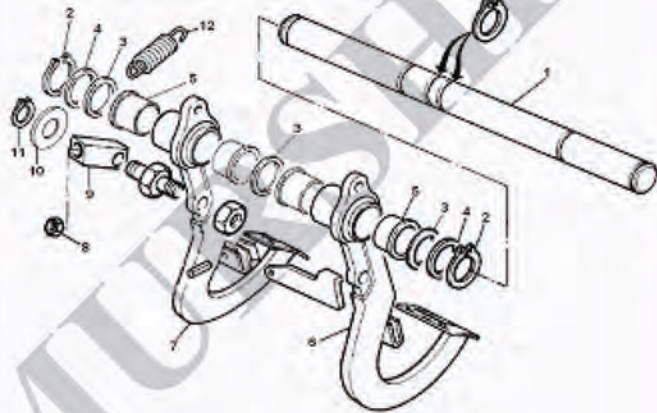
<u>ITEM</u>	<u>CKD</u>	<u>LocalPartNo</u>	<u>QTY</u>	<u>Description</u>	<u>Source</u>
1	3614780M91	163050	2	BRAKE-MASTER CYLINDER	I
1	XA73067205	163050	2	BRAKE-MASTER CYLINDER	I
2	339761X1	163051	4	SCREW	L
3	390972X1	163052	4	WASHER FLAT M8	L
4	339169X1	163033	4	NUT M8	L
5	3614911M91	163046	1	TUBE ASSY FORKED	L
6	3612736M1	163040	1	BRACKET	L
7	3613000M91	163041	1	RESERVOIR	L
8	3773000M1	163044	2	CLIP SNAPPER	L
9	1696951M2	163042	1	HOSE	L
10	1696796P92	163060	1	BRACKET-SUPPORT R/H	L
11	339030X1	133023	2	NUT HEX M6	L
12	390971X1	133062	2	WASHER- FLATE M6	L
13	3614834M91	163053	1	ASSY-TUBE	L



**BRAKE PADEL****MF385 2WD**

BRAKE PADEL

55

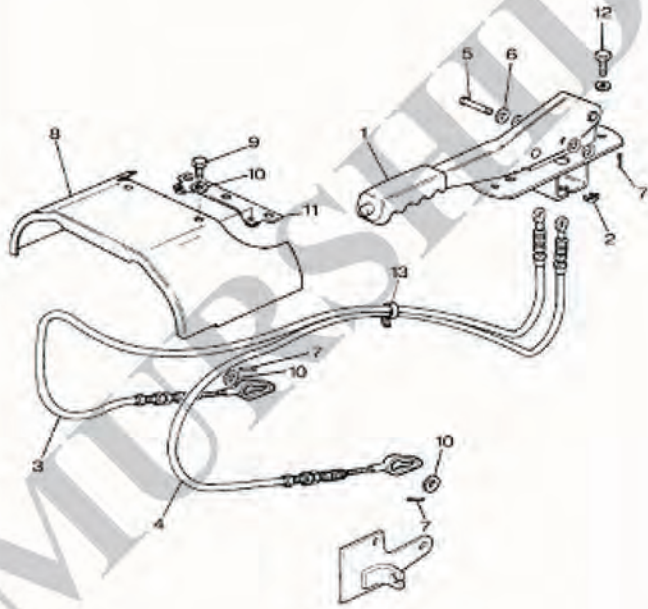


<u>ITEM</u>	<u>CKD</u>	<u>LocalPartNo</u>	<u>QTY</u>	<u>Description</u>	<u>Source</u>
1	3598034M2	113001	1	CROSS SHAFT	L
2	392758X1	113015	2	CIRCLIP - EXT	L
3	3597362M1	113013	3	WASHER	L
4	3597363M1	113014	4	WASHER (FIT AS REQD)	L
5	1694676M5	113012	4	BEARING	L
6	1696736B94	113020	1	PEDAL BRAKE LH	L
7	3614074M93	113023	1	BRAKE PEDAL RH	L
8	392309X1	113114	2	NUT MASTER CYL. ROD M8	L
9	3598986M1	103110	2	CLEVIS-MASTER CYLINDER	L
10	1441664X1	16029	2	FLAT WASHER M16	L
11	339276X1	113115	1	CIRCLIP	L
12	1694690M1	113035	2	SPRING-PEDAL RETURN	L

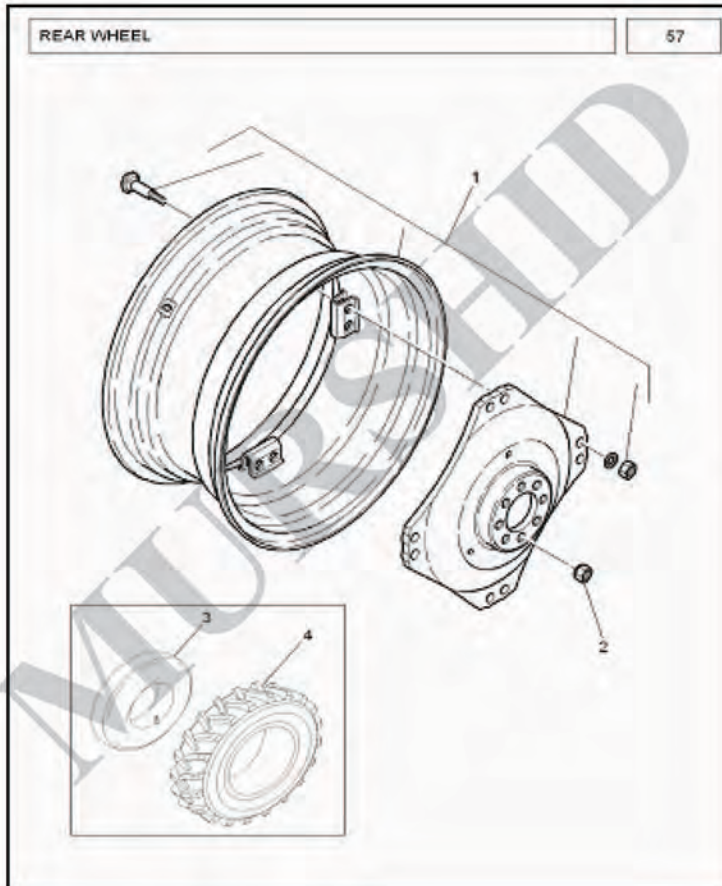
**HAND BRAKE****MF385 2WD**

HAND BRAKE

56

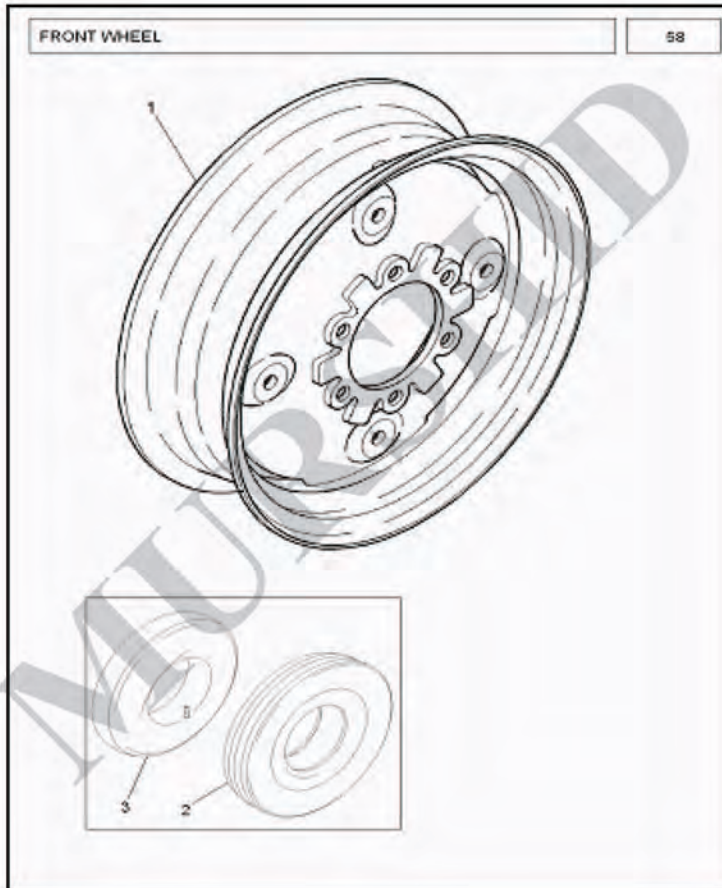


<u>ITEM</u>	<u>CKD</u>	<u>LocalPartNo</u>	<u>QTY</u>	<u>Description</u>	<u>Source</u>
1	1696646M93	743001	1	ASSY. LEVER HAND BRAKE	L
2	1696650M1	743020	2	CLIP-RETAINING CABLE	I
3	3596775M92	743013	1	HAND BRAKE CABLE	L
4	3596774M92	743012	1	HAND BRAKE CABLE	L
5	3019200X1	743010	1	PIN- CLEVIS	L
6	385361X1	743011	4	WASHER-FLAT M8	L
7	1442864X1	743052	3	SPLIT PIN	L
8	1696654P4	743041	1	COVER HAND BRAKE CABLE	L
9	339124X1	163070	2	SCREW M8X16MM	L
10	390972X1	163052	4	WASHER FLAT M8	L
11	1696653M91	743061	1	PLATE ASSAMBLY	L
12	3009491X1	163084	2	SCREW M10 X20MM	L
13	1670082M1	24064	1	STRAP	L

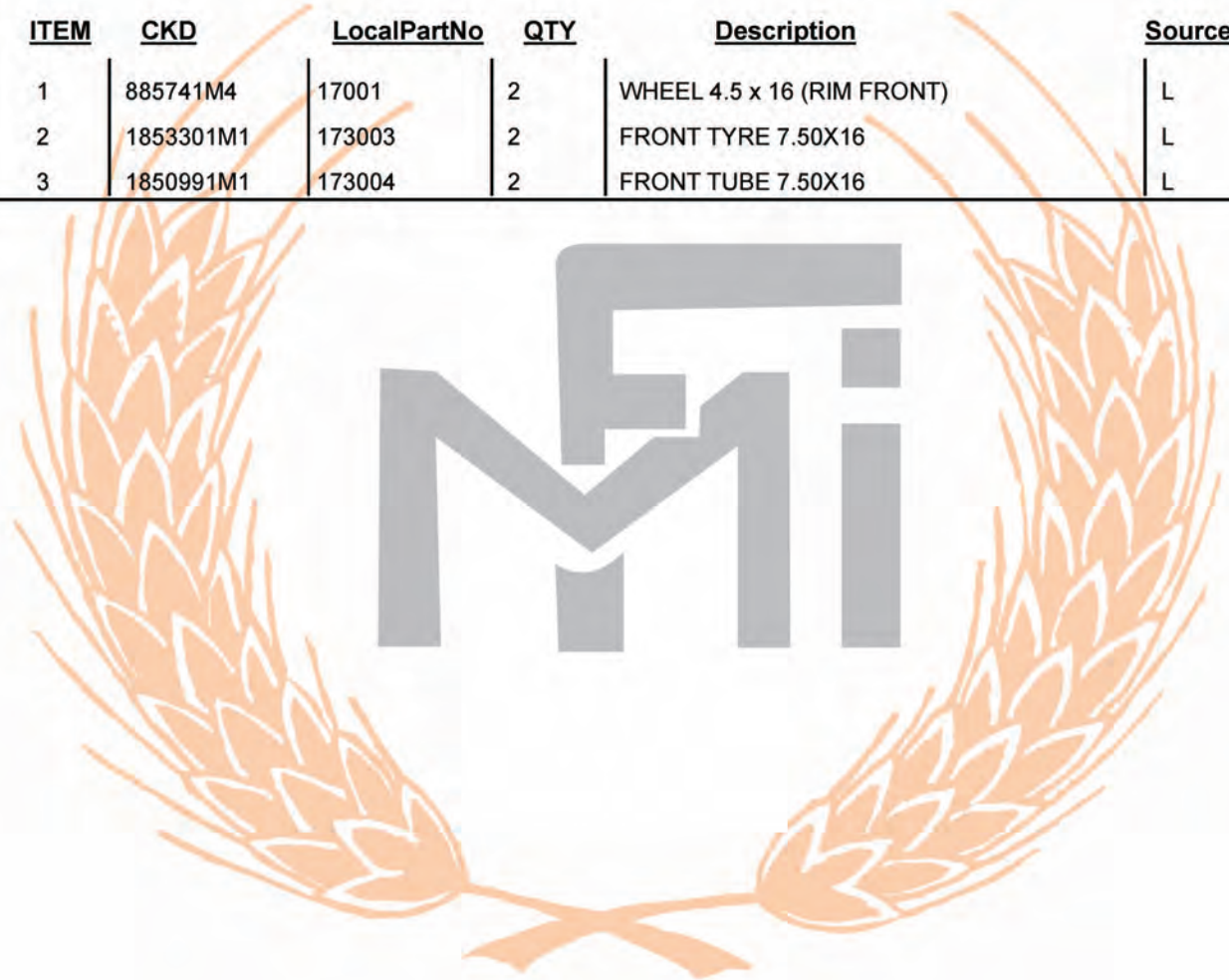
**REAR WHEEL****MF385 2WD**

<u>ITEM</u>	<u>CKD</u>	<u>LocalPartNo</u>	<u>QTY</u>	<u>Description</u>	<u>Source</u>
1	3827546M91	153001	2	RIM & DISC 15X30 (3816396M91)	L
2	847417M1	153010	16	WHEEL NUT	L
3	892592M1	153003	2	REAR TUBE 15-30	L
4	1688556M91	153015	2	REAR TYRE 18.4/15-30 8PLY	L



**FRONT WHEEL****MF385 2WD**

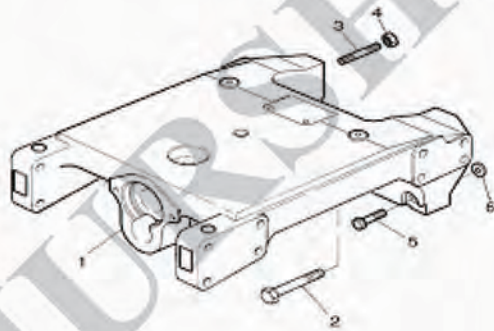
<u>ITEM</u>	<u>CKD</u>	<u>LocalPartNo</u>	<u>QTY</u>	<u>Description</u>	<u>Source</u>
1	885741M4	17001	2	WHEEL 4.5 x 16 (RIM FRONT)	L
2	1853301M1	173003	2	FRONT TYRE 7.50X16	L
3	1850991M1	173004	2	FRONT TUBE 7.50X16	L



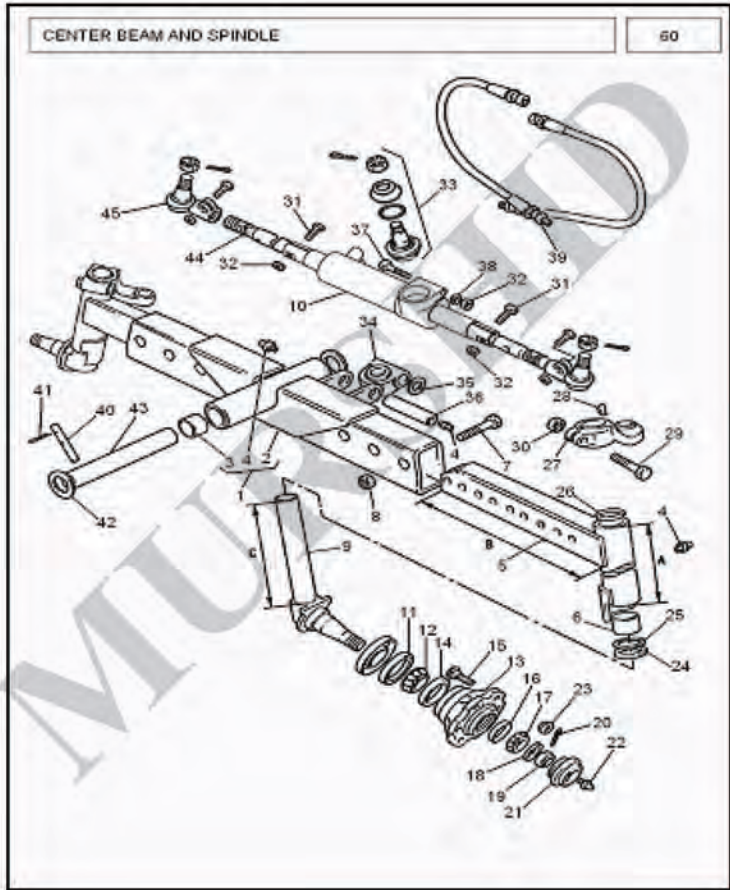
**AXLE SUPPORT****MF385 2WD**

AXLE SUPPORT

59



<u>ITEM</u>	<u>CKD</u>	<u>LocalPartNo</u>	<u>QTY</u>	<u>Description</u>	<u>Source</u>
1	3699322M1	143003	1	FRONT SUPPORT	L
2	3019869X1	143010	2	BOLT M 16 X 135 MM	L
3	3019885X1	143015	2	STUD M 16 X 55 MM	L
4	3019871X1	14009	2	NUT M 16	L
5	3019865X1	14078	2	BOLT M16 L. 75	L
6	365690X1	14016	1	SHIM	L
6	365691X1	14104	1	SHIM	L
6	377126X1	14103	1	SHIM	L



ITEM	CKD	LocalPartNo	QTY	Description	Source
1	3700582M92	143100	2	ASSY. CENTER BEAM	L
2	3771259M92	143030	2	ASSY. BEAM LESS BUSH	L
3	1675908M2	143032	2	BUSH CENTRE BEAM	L
4	1441858X1	143080	4	GREASE NIPPLE	L
5	3699387M91	143400	1	ASSY. AXLE ARM RH	L
5	3699388M91	143500	1	ASSY. ARM AXLE LH	L
6	882327M1	143062	4	BUSH (FOR L F/AXLE RH)	L
7	391891X1	143084	6	BOLT-ARM TO BEAM	L
8	3009909X1	143085	6	NUT	L
9	3697027M91	143090	1	ASSY. SHIELD & SPINDLE RH	L
9	3697028M91	143130	1	ASSY. SHIELD & SPINDLE LH	L
10	3773713M91	143210	2	STEERING CYLINDER (6202491M91)	L
11	897702M1	143095	2	SEAL-DUST	L
12	701114M1	143097	2	CONE & ROLLER INNER	I
13	898348M3	143101	2	HUB	L
14	17201X	143098	2	CUP-BEARING INNER	I
15	831420M1	143102	6	BOLT	L
16	354369X1	143103	1	CUP-BEARING OUTER	I
17	354370X1	143105	2	CONE & ROLLER INNER	I
18	881384M1	143106	2	WASHER-BRG. RETAINING	L
19	882263M1	143107	2	NUT	L
20	354072X1	143108	2	PIN COTTER	L
21	882637M1	143120	2	HUB CAP	L
22	200191M1	11076	2	LUBRICATOR	L
23	195490M1	143260	12	NUT- WHEEL DISK	L
24	1696722M1	143160	2	THRUST WASHER	L
25	1696721M1	143161	2	THRUST-BEARING	L
26	882262M1	143170	2	SEAL	L
27	3595522M1	143180	1	STEERING- ARM RH	L

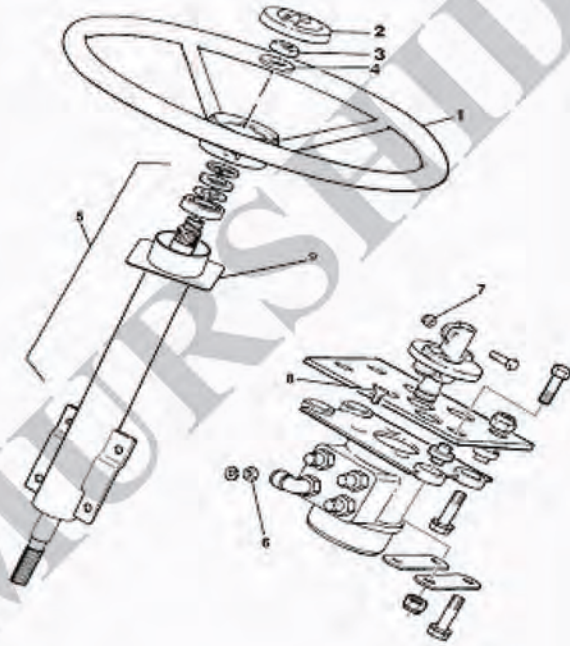
MURSHID

27	3595523M1	143181	1	STEERING- ARM LH	L
28	1696620M1	143175	2	KEY	L
29	3611361M1	143182	2	BOLT	L
30	3762112M1	143183	2	NUT 3/4 -16	L
31	391112X1	143231	2	BOLT M12 X 50 MM	L
32	1440204X1	143221	3	NUT M12	L
33	1695045M91	143196	1	ASSY-BALL JOINT	L
34	1695047M1	143190	1	BLOCK-PIVOT	L
35	1695041M1	143192	1	SHIM ( A/R )	L
36	3763764M1	143203	1	PIN	L
37	3019857X1	18610	1	BOLT M12 L. 90	L
38	339369X1	18621	1	LOCK WASHER I/D12.2 OD21.1 T.2.5	L
39	3019379X91	143271	2	CONNECTOR	L
40	522259M2	143058	1	PIN-RETAINING	L
41	195414M1	143057	2	PIN COTTER 3/8	L
42	882868M1	143055	1	SHIM (A/R)	A
42	898018M1	143052	1	SHIM (A/R)	A
42	898019M1	143053	1	SHIM (A/R)	A
42	898020M1	143054	1	SHIM (A/R)	A
43	3700469M2	143056	1	PIN- FRONT AXLE PIVOT	L
44	3599609M1	143230	2	SHAFT	L
45	3599679M91	143250	2	ASSY-BALL JOINT	L

**STEERING WHEEL AND COLUMN****MF385 2WD**

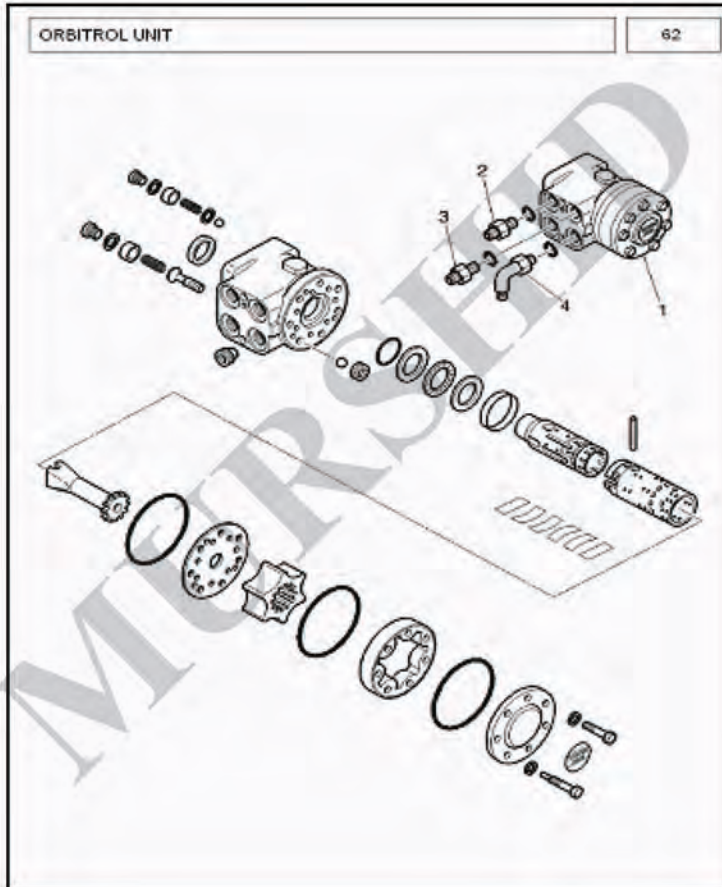
STEERING WHEEL AND COLUMN

61



<u>ITEM</u>	<u>CKD</u>	<u>LocalPartNo</u>	<u>QTY</u>	<u>Description</u>	<u>Source</u>
1	3774838M1	16035	1	STEERING - WHEEL (OLD NO. 16003)	L
2	3774841M91	16036	1	CAP & MOTIF (OLD NO. 16024)	L
3	966461M1	16037	1	NUT STEERING WHEEL	L
4	1441664X1	16029	1	FLAT WASHER M16	L
5	3611708M91	163120	1	STEERING COLUMN- FIXED	L
6	339402X1	133100	4	NUT M10	L
7	394367X1	213022	1	NUTM8	L
8	3009491X1	163084	4	SCREW M10 X20MM	L
9	N/a	163301	1	GROMMET STEERING	L

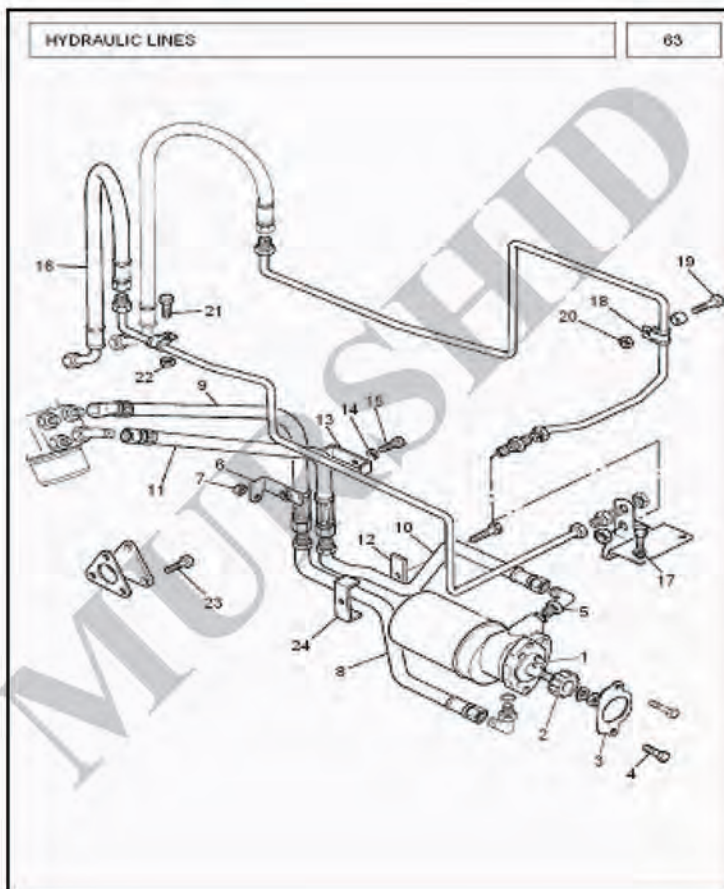


**ORBITROL UNIT****MF385 2WD**

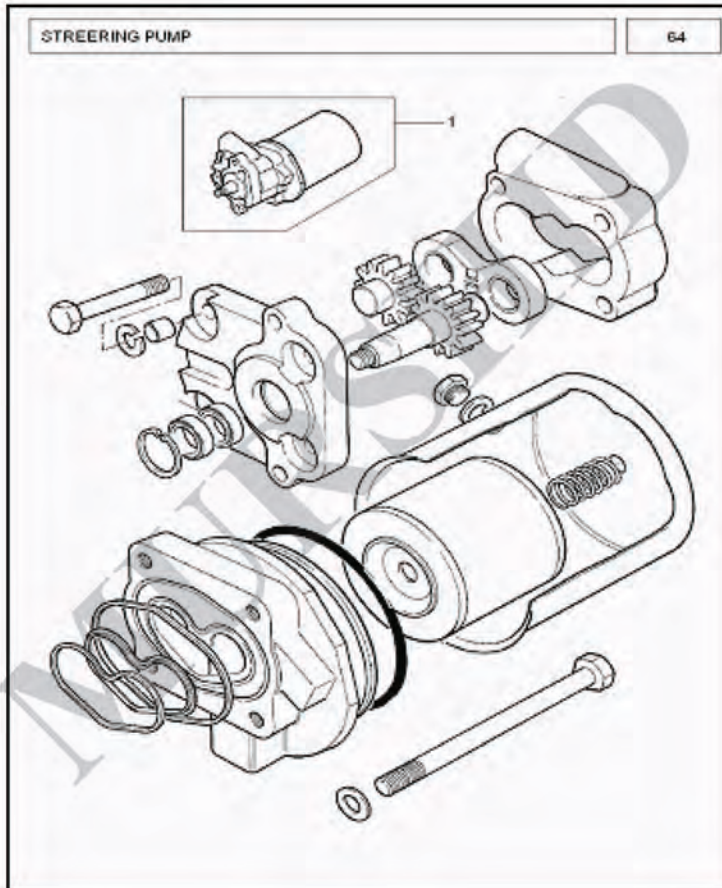
<u>ITEM</u>	<u>CKD</u>	<u>LocalPartNo</u>	<u>QTY</u>	<u>Description</u>	<u>Source</u>
1	150N2228	163080	1	ORBITROL-STEERING UNIT(1695444M91)	I
1	3821548M91	163080	1	ORBITROL-STEERING UNIT(1695444M91)	I
2	3019601X91	163090	2	ADAPTOR- ORBITROL	L
3	3019383X91	163226	1	ADAPTOR- ORBITROL	L
4	3019690X91	163225	1	ELBOW -ORBITROL	L

## HYDRAULIC LINES

MF385 2WD



ITEM	CKD	LocalPartNo	QTY	Description	Source
1	11940X	243008	1	WOODRUFF KEY	A
2	1686461M3	243009	1	GEAR	L
3	1687018M2	243030	1	GASKET PSP/TIMING CASE	L
4	354266X1	243031	1	BOLT 3/8 16 X 2-1/8	L
5	3019690X91	163225	2	ELBOW -ORBITROL	L
6	3595162P2	243072	1	BRACKET	L
7	3019862X1	18611	1	NUT M12	L
8	25776M92	243062	1	ASSY - TUBE	L
9	3595370M1	243071	1	ASSY- HOSE	L
10	25775M93	243061	1	ASSY - TUBE	L
11	3595369M1	243070	1	ASSY- HOSE	L
12	3596929M1	243064	1	STRAP	A
13	3595163M1	243073	1	CLAMP	L
14	390972X1	163052	1	WASHER FLAT M8	L
15	339010X1	243103	1	BOLT M8X40MM	L
16	1696899M3	243041	2	ASSY- HOSE ORBITROL	L
17	339376X1	163181	2	WASHER LOCK M10	L
18	3597684M1	243101	1	CLIP	L
19	1679531M1	243060	1	CLIP	L
19	339009X1	733033	1	SET CREW M8 X 35MM	L
20	339169X1	163033	1	NUT M8	L
21	339124X1	163070	1	SCREW M8X16MM	L
22	339169X1	163033	1	NUT M8	L
23	353691X1	103379	3	SCREW 3/8 16X1	L

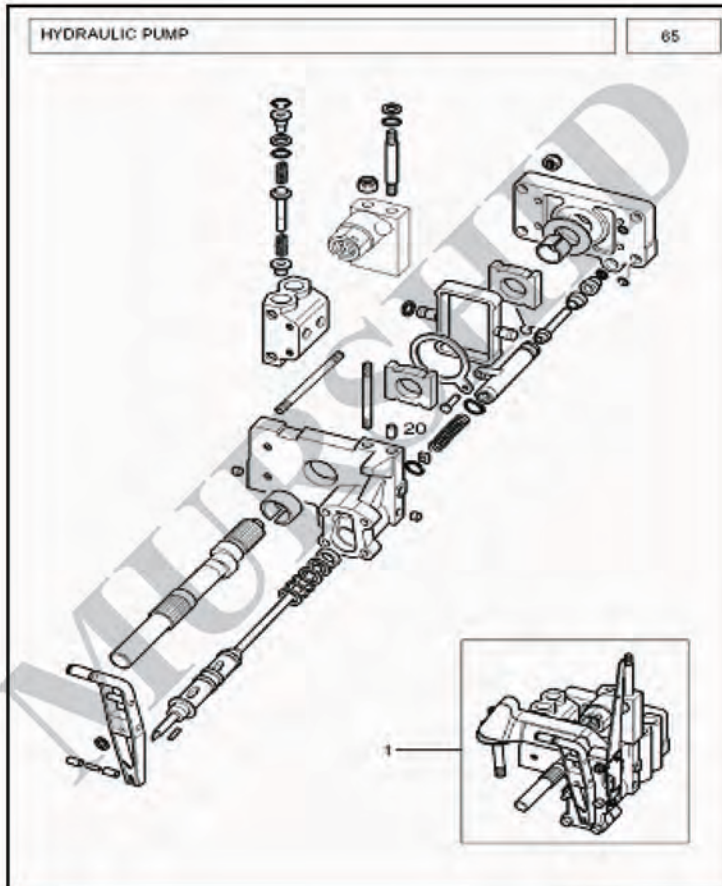
**STEERING PUMP****MF385 2WD**

<u>ITEM</u>	<u>CKD</u>	<u>LocalPartNo</u>	<u>QTY</u>	<u>Description</u>	<u>Source</u>
1	3819972M91	243002	1	STEERING PUMP	L



# HYDRAULIC PUMP

MF385 2WD

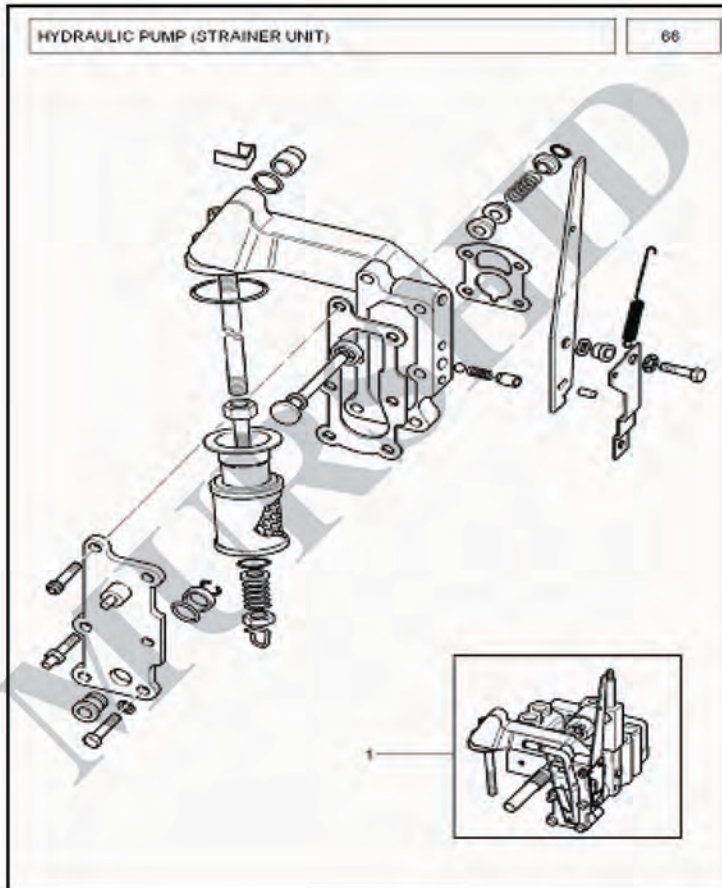


<u>ITEM</u>	<u>CKD</u>	<u>LocalPartNo</u>	<u>QTY</u>	<u>Description</u>	<u>Source</u>
1	3761332M91	103140	1	ASSY. HYDRAULIC PUMP	L



# HYDRAULIC PUMP

MF385 2WD

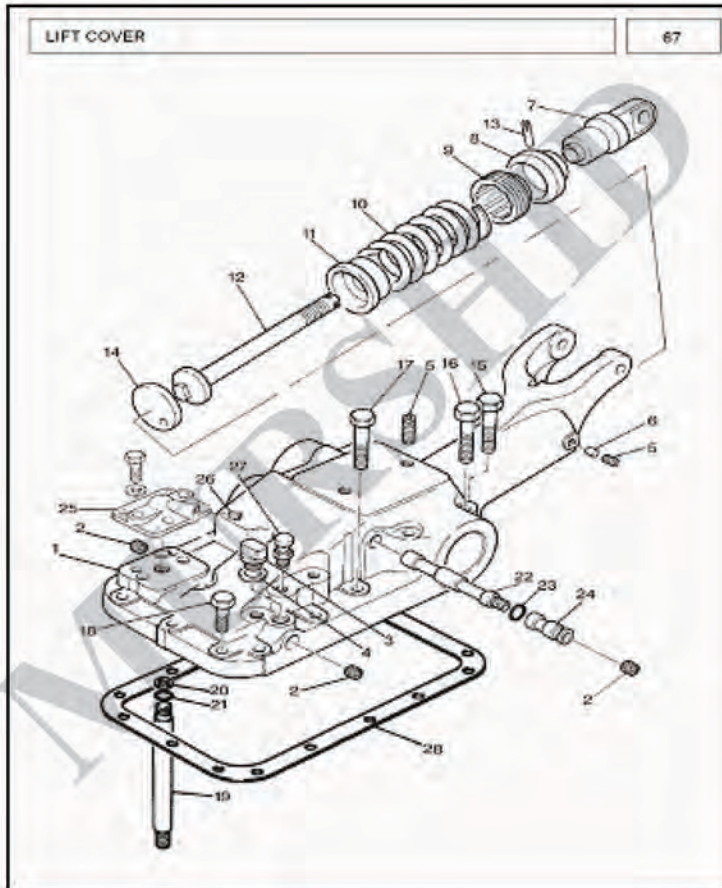


ITEM	CKD	LocalPartNo	QTY	Description	Source
1	3761332M91	103140	1	ASSY. HYDRAULIC PUMP	L



**LIFT COVER**

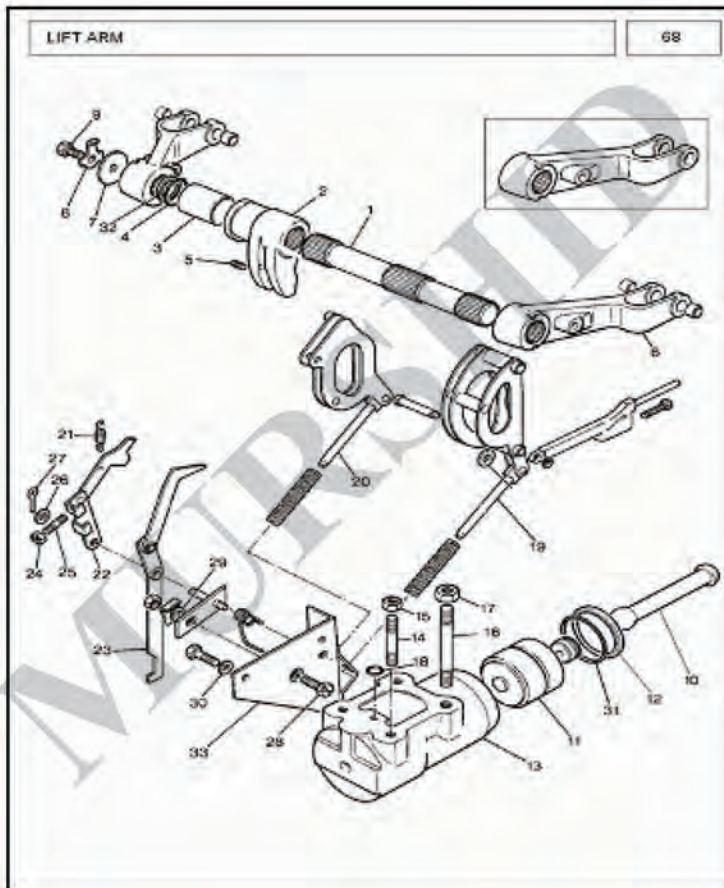
**MF385 2WD**



<u>ITEM</u>	<u>CKD</u>	<u>LocalPartNo</u>	<u>QTY</u>	<u>Description</u>	<u>Source</u>
1	3612130M91	26200	1	ASSY. HYD. LIFT COVER	L
2	825031M2	26002	3	PLUG 3/8 - 18 N.P.T.F.	L
3	826237M1	26003	1	PLUG 3/8 NPSM x 18 T.P.I.	L
4	826238M1	26004	1	BONDED SEAL	L
5	355286X1	26122	2	HEX. SKT. SETSCREW 5/16-18 UNC3A X16	L
6	882451M1	26118	1	PLUG LOCKING	L
7	1863389M1	263271	1	HEAD CONTROL SPRING	L
8	887654M2	26061	1	BOOT RUBBER	L
9	180979M2	26060	1	NUT	L
10	182582M1	26112	1	SPRING - 7500 L	L
11	886351M1	26057	1	SEAT CONTROL SPRING	L
12	886348M2	26056	1	PLUNGER CONTROL SPRING	L
13	195573M1	26123	1	PIN GORVED	L
14	180981M1	26063	1	DISC COVERLOAD STOP	L
15	377144X1	26097	2	BOLT 7/16-14 UNC-2A L.77.8/79.4	L
16	377145X1	26098	5	BOLT 7/16-14 UNC-2A L.104.8/103.2	L
17	377143X1	26095	3	BOLT 7/16-14 UNC-2A L. 52.4/54.0	L
18	376805X1	26102	4	BOLT 7/16-14 UNC-2A L.46.0/47.6	L
19	898229M1	26089	1	STAND PIPE	L
20	195874M1	26126	2	WASHER BACKUP 3/8 THICK. 0.029	L
21	195561M1	26113	2	O RING	L
22	898305M1	26033	1	SHAFT PIVOT	L
23	898306M1	26034	1	SNAP RING	L
24	898307M1	26036	1	COLLAR	L
25	180908M1	26066	1	CAP LIFT COVER	L
26	195567M1	26124	2	PLUG	L
27	182099M91	26008	1	BREATHER ASSY	L
28	886549M2	26081	1	GASKET	L

**LIFT ARM**

**MF385 2WD**

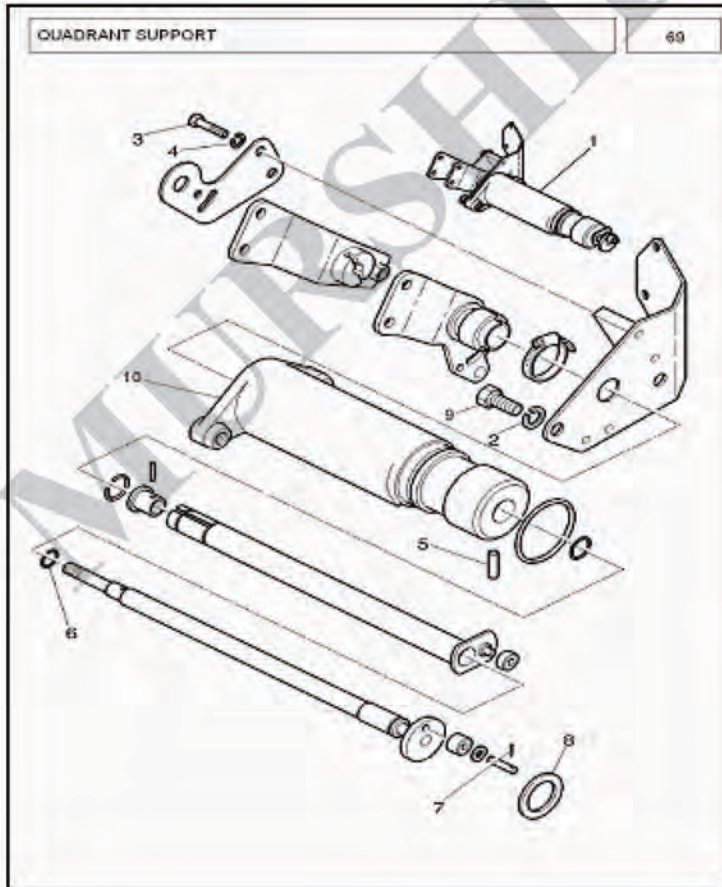


<u>ITEM</u>	<u>CKD</u>	<u>LocalPartNo</u>	<u>QTY</u>	<u>Description</u>	<u>Source</u>
1	897567M3	26011	1	SHAFT HYD. LIFT	L
2	3610357M1	26012	1	ARM LIFT RAM	L
3	3611558M1	26109	2	BEARING LIFT SHAFT	L
4	3000789X1	26117	2	O RING	L
5	371925X1	26121	1	COILED SPRING PIN	L
6	1680040M91	263070	2	ASSY ARM HYDRAULIC LIFT	L
7	897580M2	26024	2	WASHER - LIFT ARM	L
8	897581M3	26093	2	CLIP -LICKING	L
9	361526X1	26096	1	BOLT 7/16-20 L. 1	L
10	3610356M2	26028	1	ROD - CONNECTING	L
11	1693921M93	263052	1	PISTON & CUP ASSY	L
12	3761476M1	263056	1	PTFE SEAL	L
13	3599859M1	263058	1	CYLINDER HYDRAULIC	L
14	1667580M1	26107	2	FRONT STUD 9/16 - 18 UNF - 3A	L
15	377765X1	26103	2	NUT 9/16 - 18 - 2B	L
16	1693939M2	26105	2	STUD 5/8 - 18 UNF - 3A	L
17	377641X1	26100	2	NUT 5/8 - 18 UNF - 2B	L
18	195562M1	26116	1	O RING 11.1 X 2.4	L
19	1660324M91	26039	1	ASSY. LEVER	L
20	1661918M91	26042	1	ASSY. LINK	L
21	898137M1	26125	1	SPRING	L
22	1661547M92	26043	1	ASSY.CAM POSITION	L
23	1869093M93	26044	1	ASSY. LEVER & CAM	L
24	354120X1	26099	1	NUT 10 - 24	L
25	898153M2	26104	1	SET SCREW 10 - 24 UNC - 3A L.22.2	L
26	355616X1	26106	1	WASHER NO. 10	L
27	354039X1	26110	1	PIN COTTER	L
28	353518X1	233230	1	SCREW 5/16 24X7/8	L
29	376703X1	123134	1	WASHER-HARDENED 3/8	L

30	22764X	26120	2	WASHER 3/8	L
31	3761473M1	263057	1	O-RING	L
32	3611557M1	26091	2	RING SPACER	L
33	1870190M92	26030	1	ASSY.- BRKT. LEVER SUPPORT	L

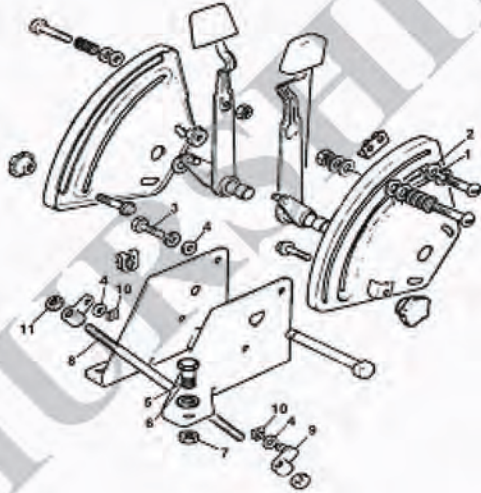
**QUADRANT SUPPORT**

**MF385 2WD**

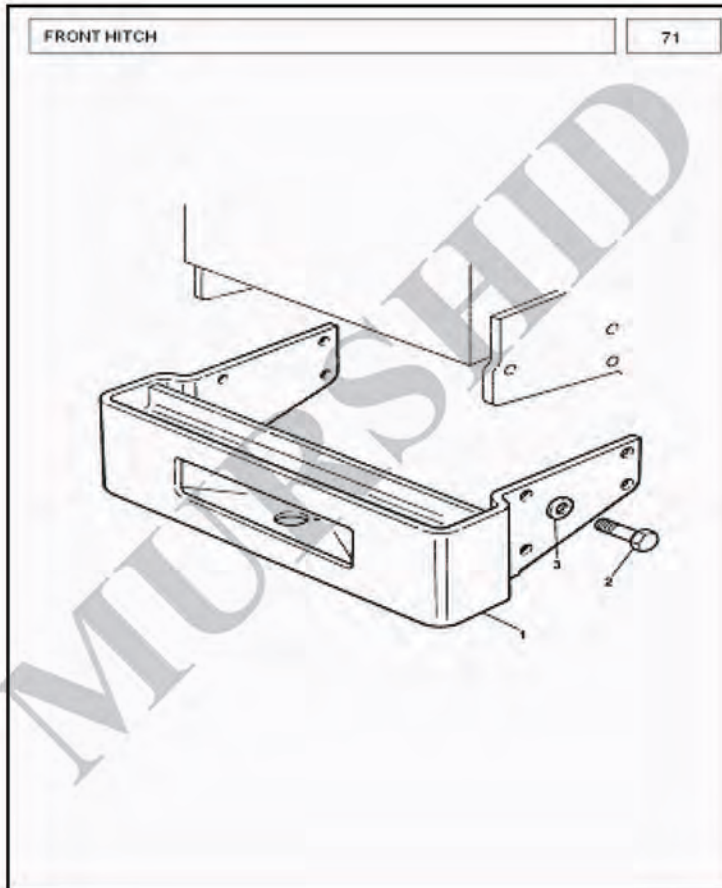


<u>ITEM</u>	<u>CKD</u>	<u>LocalPartNo</u>	<u>QTY</u>	<u>Description</u>	<u>Source</u>
1	1870243M91	753030	2	ASSY-QUAD W/OUT SPACER	L
1	2528720K98	753030	2	ASSY-QUAD W/OUT SPACER	L
2	353434X1	10075	2	WASHER LOCK 3/8"	L
3	339560X1	133061	2	SCREW M6X16	L
4	339375X1	133022	1	WASHER LOCK M6	L
5	1869074M1	26090	1	PIN	L
6	195561M1	26113	1	O RING	L
7	354039X1	26110	1	PIN COTTER	L
8	1869075M1	26127	1	SPRING	L
9	353690X1	12012	2	SCREW 3/8 - 16X7/8	L
10	2528786K93	263250	1	SUPPORT -QUAD' T +LEVERS	L

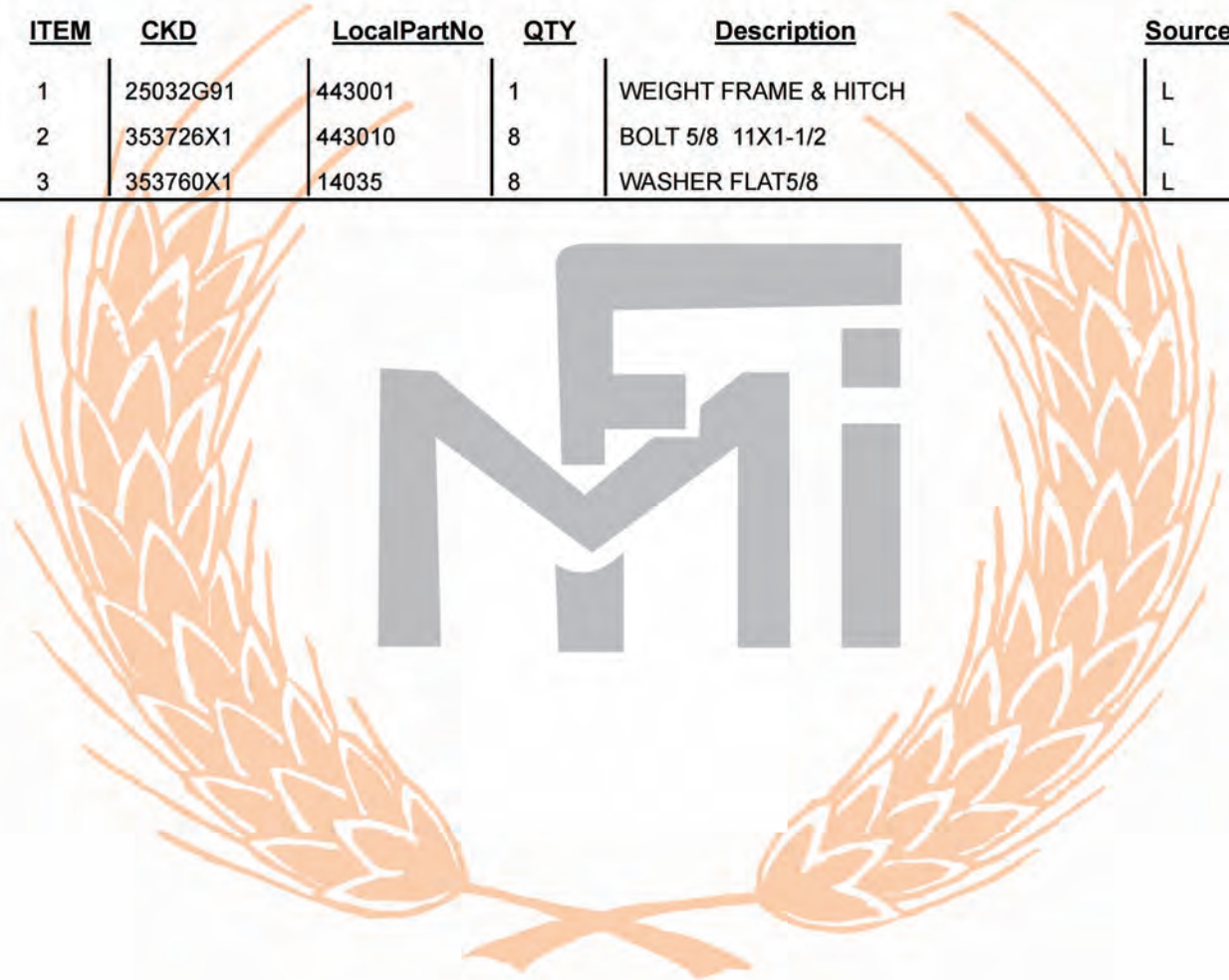




<u>ITEM</u>	<u>CKD</u>	<u>LocalPartNo</u>	<u>QTY</u>	<u>Description</u>	<u>Source</u>
1	353441X1	13084	2	WASHER 1/4	L
2	353754X1	14048	2	WASHER-FLAT 1/4	L
3	339124X1	163070	4	SCREW M8X16MM	L
4	390972X1	163052	8	WASHER FLAT M8	L
5	339761X1	163051	3	SCREW	L
6	339011X1	303025	3	BOLT M8 X 45MM	L
7	339169X1	163033	3	NUT M8	L
8	1687684M2	753020	2	ROD LINKAGE	L
9	3596185M91	753022	2	NUT-SPECIL	L
10	1679932M2	753063	4	CLIP-SAFETY ROD/LEVERS	L
11	390575X1	753070	2	NUT-LOCK M8	L

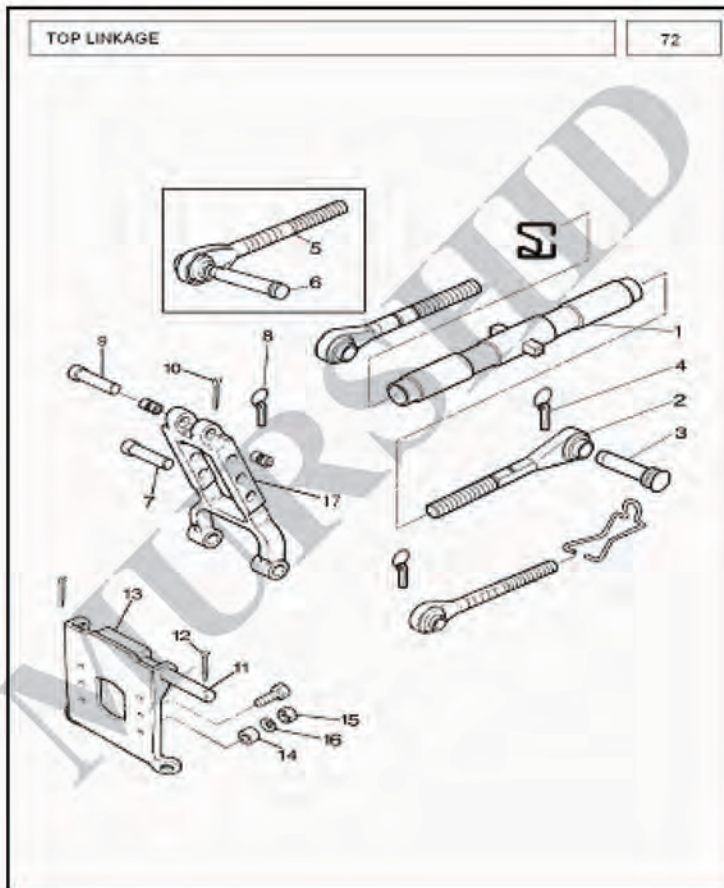
**FRONT HITCH****MF385 2WD**

<u>ITEM</u>	<u>CKD</u>	<u>LocalPartNo</u>	<u>QTY</u>	<u>Description</u>	<u>Source</u>
1	25032G91	443001	1	WEIGHT FRAME & HITCH	L
2	353726X1	443010	8	BOLT 5/8 11X1-1/2	L
3	353760X1	14035	8	WASHER FLAT5/8	L



**TOP LINKAGE**

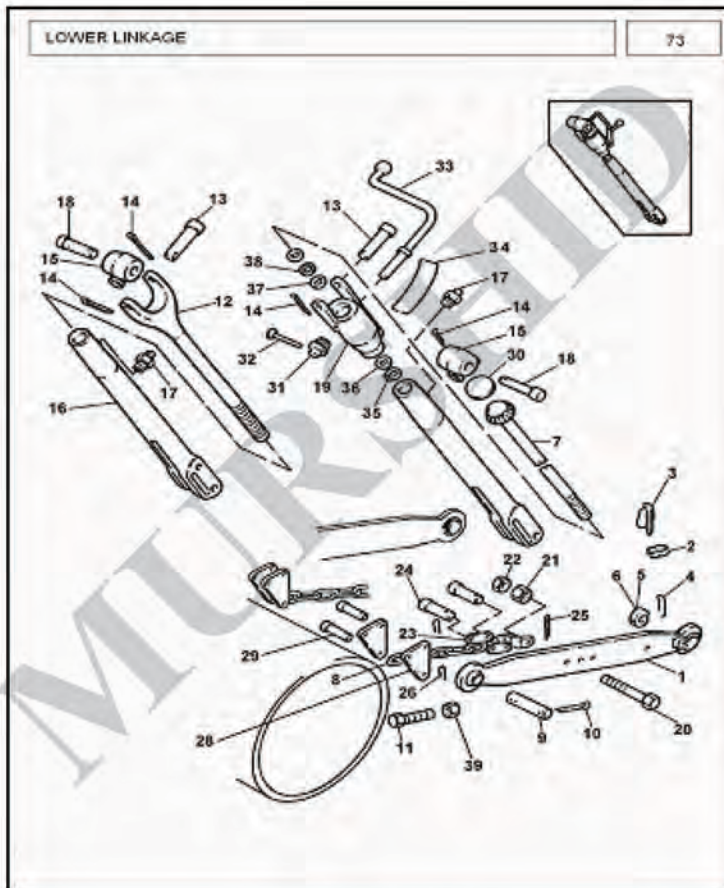
**MF385 2WD**



<u>ITEM</u>	<u>CKD</u>	<u>LocalPartNo</u>	<u>QTY</u>	<u>Description</u>	<u>Source</u>
1	893439M91	253091	1	ASSY TOP LINK	L
2	183615M93	25030	1	ASSY END IMPLEMENT CAT 2	L
3	892476 M1	25031	1	PIN CLEVIS	L
4	810285M92	25028	1	PIN & RING ASSY	L
5	183619M92	253180	1	ASSY. - END TO P LINK	L
6	831513M1	25027	1	PIN RETAINER CAT-I	L
7	892476 M1	25031	1	PIN CLEVIS	L
8	810285M92	25028	1	PIN & RING ASSY	L
9	1694024M1	253033	1	PIN-CLEVIS	L
10	354068X1	14092	1	PIN COTTER	L
11	1867294M2	253020	1	PIN CONTROL BEAM	L
12	354089X1	253170	2	PIN COTTER	L
13	1862846M95	253001	1	BRACKET CONTROL BEAM	L
14	1869272M1	253005	1	SPACER	L
15	377626X1	10094	4	NUT 1/2-20 AXLE HOUSING	L
16	376722X1	25004	4	WASHER LOCK 1/2	L
17	1863391M2	253032	1	BEAM CONTROL	L

**LOWER LINKAGE**

**MF385 2WD**

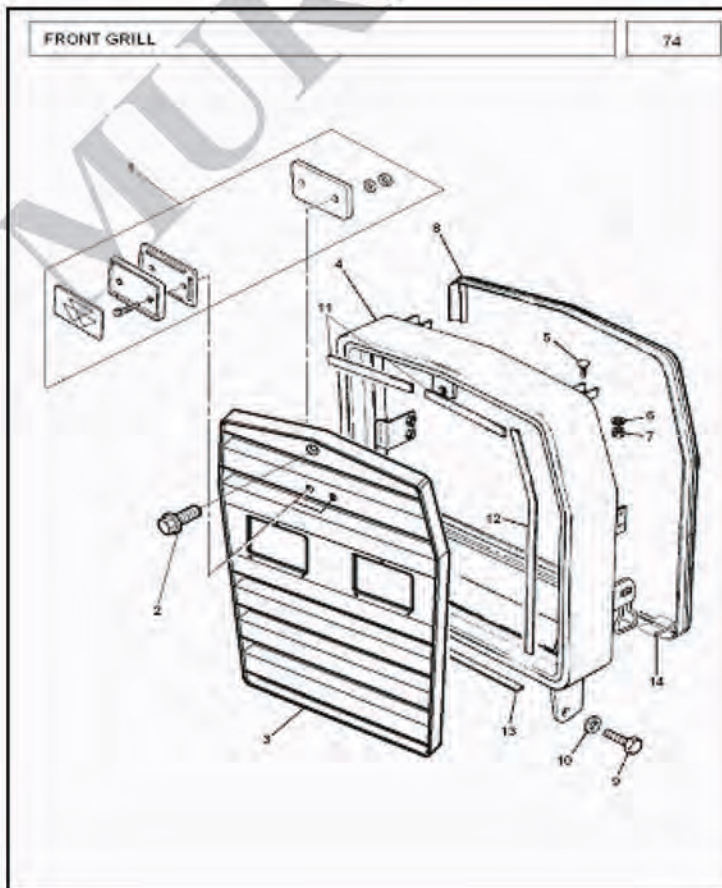


<u>ITEM</u>	<u>CKD</u>	<u>LocalPartNo</u>	<u>QTY</u>	<u>Description</u>	<u>Source</u>
1	1863435M94	253111	2	LINK ASSY	L
2	1869218M1	25036	2	CLIP	L
3	810285M92	25028	2	PIN & RING ASSY	L
4	1869219M1	25313	2	CLIP	L
5	886428M1	25039	2	BALL - CAT.1	L
6	886429M1	25041	2	BALL CAT.2 LOWER LINK	L
7	1860833M1	253046	1	SHAFT-GEAR	L
8	893410M1	253156	2	CHECK - CHAIN	L
9	1695314M1	253140	2	SHAFT - LOWER LINK	L
10	354101X1	253142	4	PIN COTTER	L
11	1860725M2	253133	2	SCREW - STOP	L
12	897655M92	253071	1	ASSY YOKE	L
13	1694024M1	253033	2	PIN-CLEVIS	L
14	354068X1	14092	4	PIN COTTER	L
15	897653M1	253056	1	KNUCKLE	L
16	893405M3	253049	1	FORK LIFT ROD	L
17	200191M1	11076	3	LUBRICATOR	L
18	1694025M1	253059	2	PIN-CLEVIS	L
19	1860829M2	253043	1	LEVELLING BOX	L
20	894034M1	233130	2	BOLT	L
21	353435X1	253131	2	NUT LOCK 3/4 x 16	L
22	353436X1	253132	2	NUT-LOCK 3/4 16	L
23	1865194M1	253158	4	LINK -CHECK CHAIN	L
24	377415X1	253160	4	PIN -CLEVIS	L
25	354066X1	25019	4	PIN COTTER	L
26	195415M1	25054	4	PIN - HAIR	L
27	894029M1	253151	2	BRACKET	L
28	888524M1	253152	4	LINK	L
29	195405M1	253153	2	CLEVIS - PIN	L

30	195644M1	25317	1	PLUG	L
31	181345M2	25011	1	GEAR LEVELLING	L
32	195648M1	25315	1	REVIT	L
33	1662382M1	25012	1	LEVER LEVELLING	L
34	193092M1	25015	1	RING LOCKING	L
35	352438X1	253048	1	CIRCLIP	L
36	1860834M2	253047	1	THRUST WASHER	L
37	183630M1	253044	2	RACE-THRUST	L
38	831263M1	253045	1	BEARING	L
39	353430X2	16028	2	NUT	L

**FRONT GRILL**

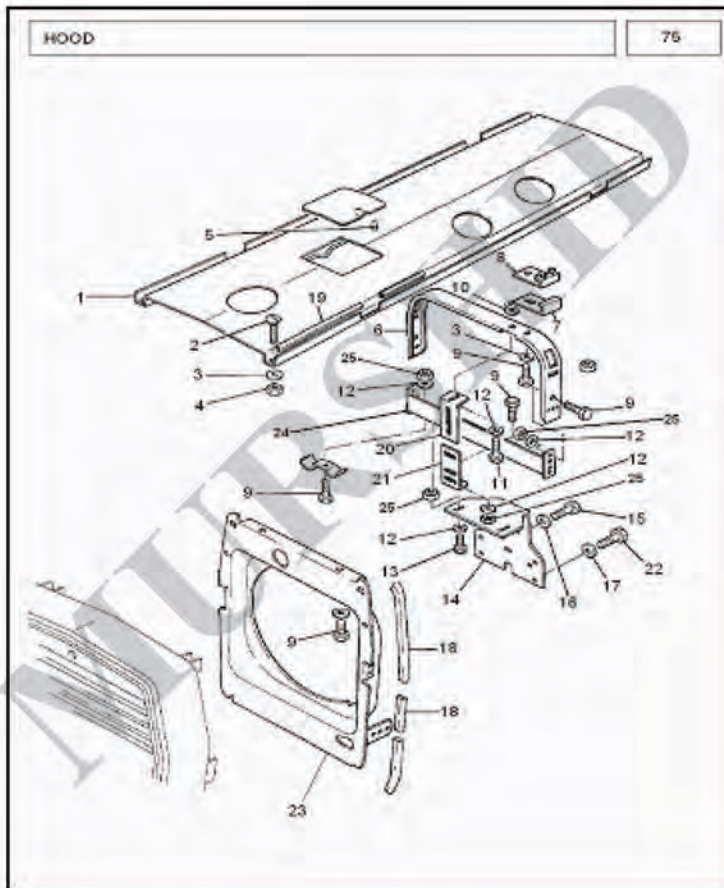
**MF385 2WD**



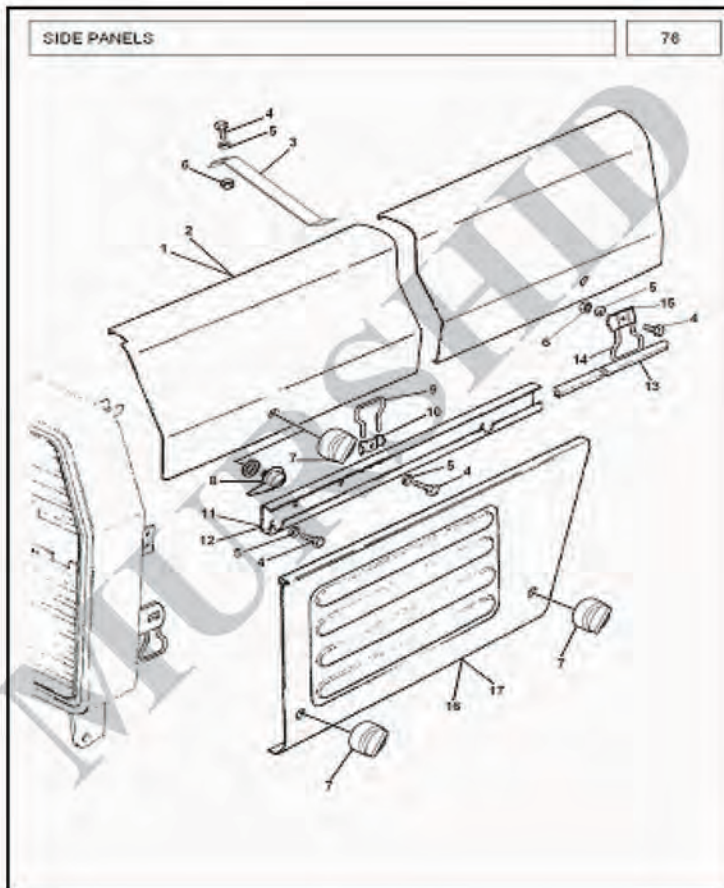
<u>ITEM</u>	<u>CKD</u>	<u>LocalPartNo</u>	<u>QTY</u>	<u>Description</u>	<u>Source</u>
1	3580033M1	23142	1	BADGE ASSY	L
2	N/a	23326	1	BOLT FRONT GRILL	L
3	1687819M91	23022	1	ASSY GRILL	L
4	3698944M92	233020	1	WRAPPER ASSY	L
5	385368X1	23194	2	CARR. BOLT M8x13(385368X1 MF-375)	L
6	339375X1	133022	2	WASHER LOCK M6	L
7	339169X1	163033	1	NUT M8	L
8	3697716M1	23201	1	MOULDING FRONT	L
9	353901X1	253040	4	BOLT 5/8-11X1.1/4(353901X1 MF375	L
10	353760X1	14035	4	WASHER FLAT 5/8	L
11	3611649M1	233021	2	PAD-AIR SEAL	L
12	1695467M1	233022	2	PAD-AIR SEAL	L
13	1695468M1	233023	1	PAD-AIR SEAL	L
14	N/a	23202	4	CLIP MOULDING WRAPPER	L

**HOOD**

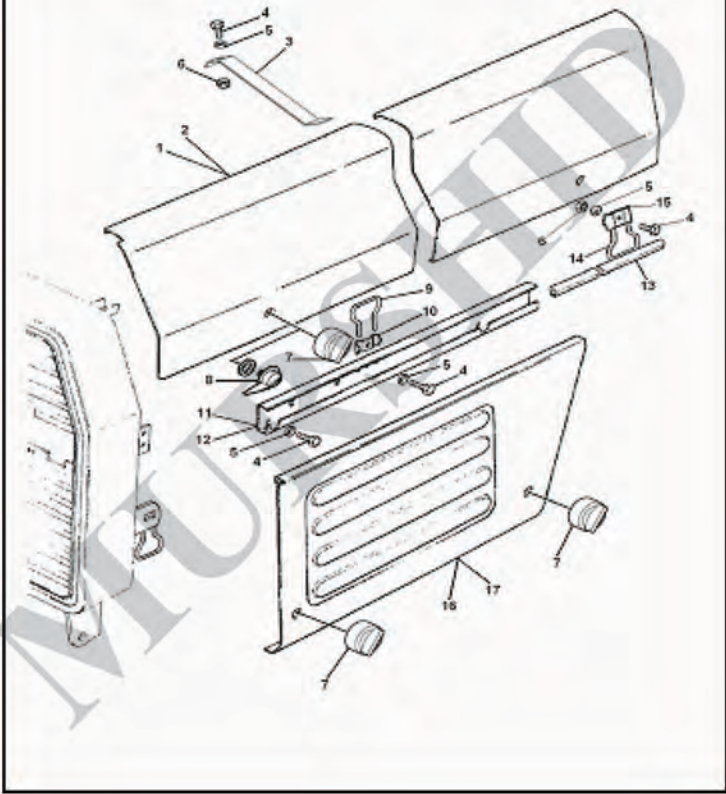
**MF385 2WD**



<u>ITEM</u>	<u>CKD</u>	<u>LocalPartNo</u>	<u>QTY</u>	<u>Description</u>	<u>Source</u>
1	1694933P97	233150	1	HOOD TOP W/A	L
2	385368X1	23194	2	CARR. BOLT M8x13(385368X1 MF-375)	L
3	390892X1	25305	8	PLAIN WASHER M-8	L
4	390679X1	25304	4	NUT M-8	L
5	897892M1	23137	2	HOOD DAMPER	L
6	1694194P3	233210	1	SUPPORT HOOD	L
7	1694819M3	23096	4	KEEPER HING(1694819M3 MF-375)	L
8	1694914M3	23097	4	BRACKET HING (1694914M3 MF-375)	L
9	339124X1	163070	16	SCREW M8X16MM	L
10	391038X1	163151	2	WASHER-FLAT M6	L
11	339123X2	163221	1	SCREW M8 X20MM	L
12	390972X1	163052	11	WASHER FLAT M8	L
13	339761X1	163051	2	SCREW	L
14	1694844P5	233101	1	BRACKET	L
15	353518X1	233230	3	SCREW 5/16 24X7/8	L
16	353755X1	34015	3	WASHER 5/16	L
17	353756X1	11006	2	WASHER FLAT 3/8	L
18	1694884M1	233003	4	EDGING SEAL	L
19	3611645M1	23319	2	EDGING SEAL	L
20	3612274M2	233111	1	BRACKET TOP	L
21	3612275M1	233112	1	BRACKET BOTTOM	L
22	353538X1	18217	2	BOLT 3/8-24X20MM	L
23	3698945P92	233001	3	ASSY BULK HEAD RADIATOR	L
24	3762467M91	233100	1	CROSS MEMBER	L
25	339169X1	163033	8	NUT M8	L



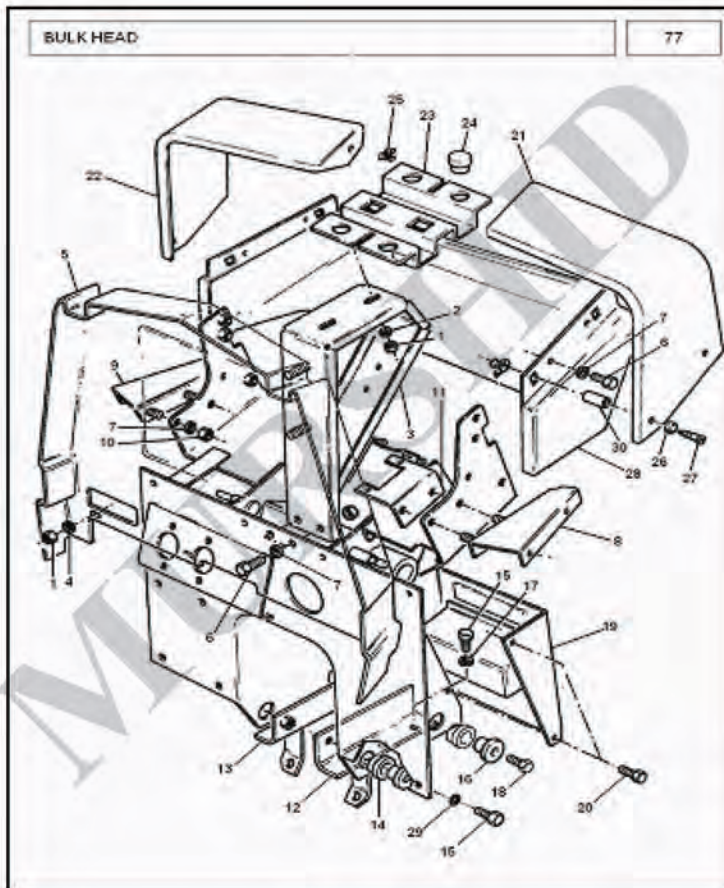
<u>ITEM</u>	<u>CKD</u>	<u>LocalPartNo</u>	<u>QTY</u>	<u>Description</u>	<u>Source</u>
1	1694833P94	233140	1	HOOD SIDE W/A LH	L
2	1694834P94	233145	1	HOOD SIDE W/A RH	L
3	1694841M1	23138	2	HOOD STAY	L
4	339124X1	163070	18	SCREW M8X16MM	L
5	390972X1	163052	18	WASHER FLAT M8	L
6	339169X1	163033	4	NUT M8	L
7	1693951M3	23126	8	CAM FASTNER	L
8	1693952M2	23127	8	FASTNER	L
9	1694817M1	233080	6	CATCH	L
10	1694816M91	23134	6	CLAMP CATCH	L
11	1695235M2	233060	1	SIDE CHANNEL LH	L
12	1695236M2	233061	1	SIDE CHANNEL RH	L
13	1694881M2	233070	4	EDGING-SEAL	L
14	1694817M1	233080	2	CATCH	L
15	3597673M1	233011	2	CLAMP-CATCH	L
16	3698941P91	233200	1	SIDE GRILL RH	L
17	3698940P91	233201	1	SIDE GRILL LH	L





**BULK HEAD**

**MF385 2WD**

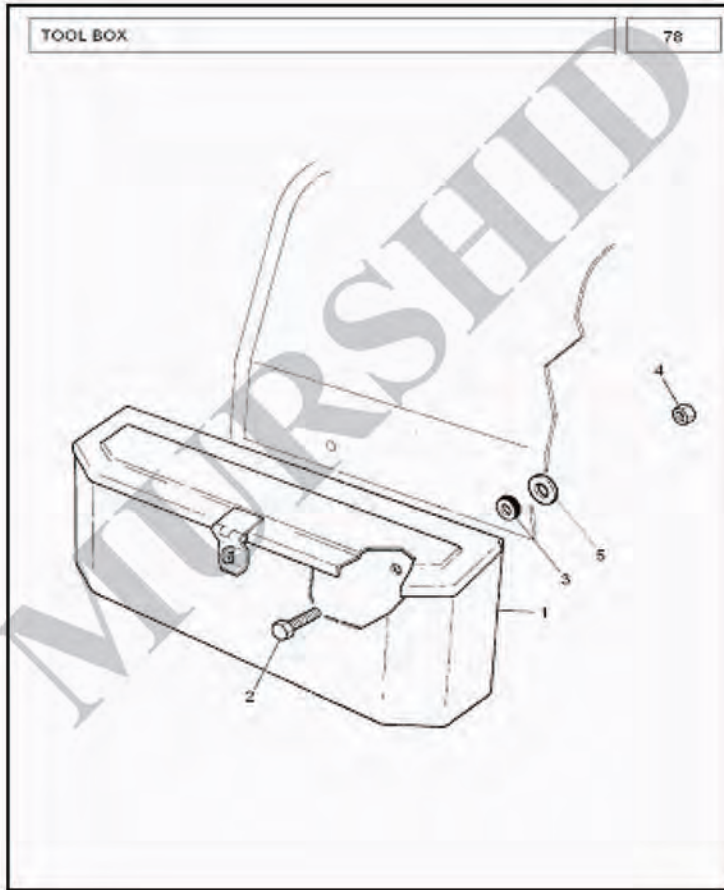


<u>ITEM</u>	<u>CKD</u>	<u>LocalPartNo</u>	<u>QTY</u>	<u>Description</u>	<u>Source</u>
1	339030X1	133023	10	NUT HEX M6	L
2	390971X1	133062	4	WASHER- FLATE M6	L
3	25853P91	163135	1	ASSY SUPPORT BRACKET	L
4	391038X1	163151	6	WASHER-FLAT M6	L
5	3596112M2	163150	1	PANNEL -SEAL	L
6	339124X1	163070	12	SCREW M8X16MM	L
7	339375X1	133022	16	WASHER LOCK M6	L
8	1696794P92	163030	1	BRACKET SUPPORT LH.	L
9	1696796P92	163060	1	BRACKET-SUPPORT R/H	L
10	339169X1	163033	4	NUT M8	L
11	1683864M1	233018	1	BRACKET FUSE BOX	L
12	3596286P91	163010	1	BRACKET MOUNTING LH.	L
13	3596287P91	163011	1	BRACKET MOUNTING RH.	L
14	3611809M1	163021	2	SPACER	L
15	3009493X1	163180	8	BOLT M10-1.5 X 30MM	L
16	3611810M1	163022	2	METAL-SPACER	L
17	339376X1	163181	4	WASHER LOCK M10	L
18	3009492X1	163023	4	SCREW M10X25MM	L
19	3596000M5	163170	1	BULK HEAD COVER	L
20	3009181X1	163171	4	SCREW M6 X 16MM	L
21	3597336R2	163190	1	CONSOLE- PANEL LH	L
22	3597337R2	163191	1	CONSOLE - PANEL RH	L
23	25860P92	163143	1	BRACKET	L
24	880668M1	163144	6	PLUG	L
25	3771440M1	163197	2	CLIP	L
26	1694444M1	163193	4	CUP - WASHER	L
27	3597177M1	163192	6	STUD	L
28	1696681R5	163200	1	PANEL - CONSOLE LOWER	L
29	390597X1	223010	4	WASHER-FLAT M10	L

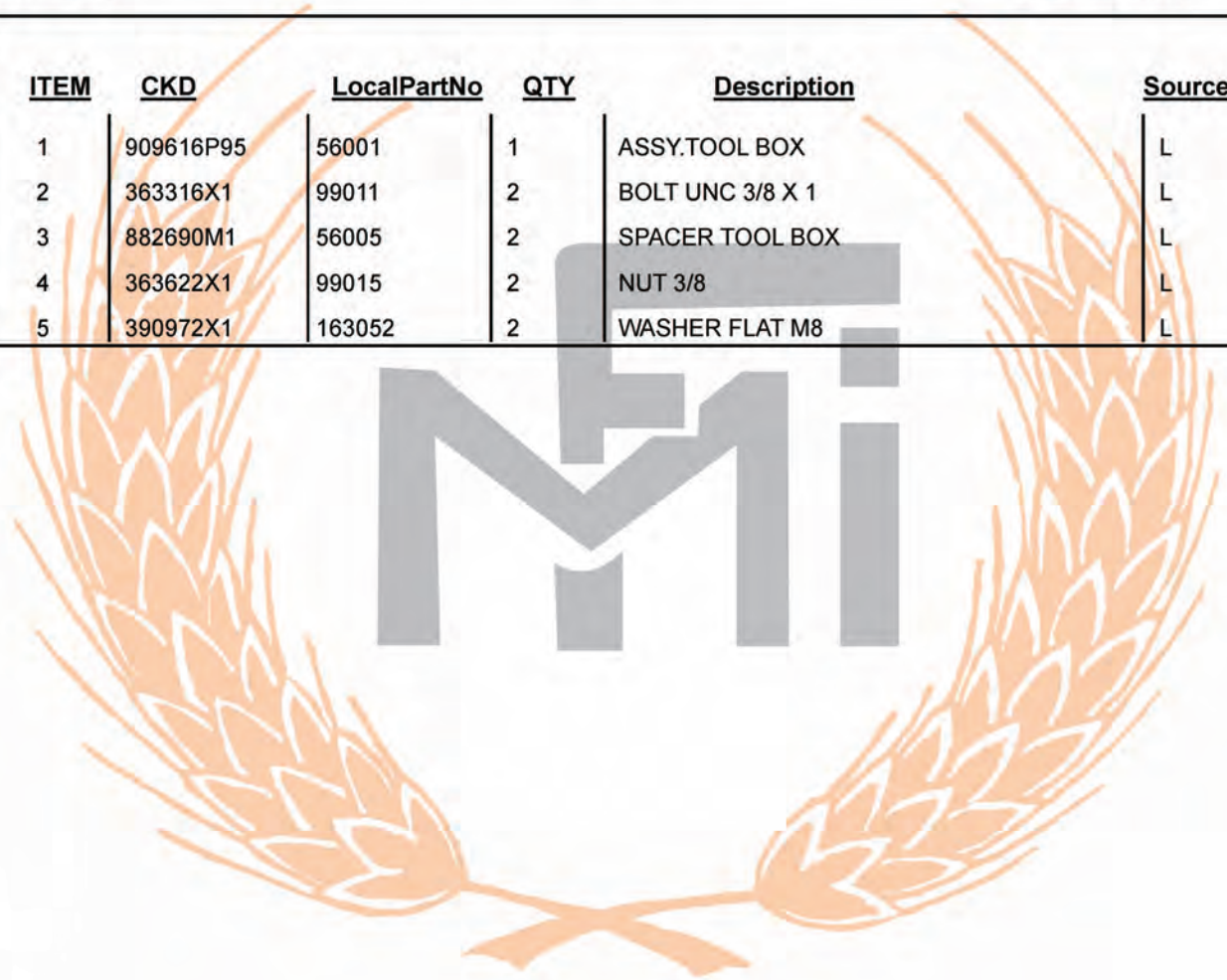
30	3597178M1	163194	6	WASHER	A
----	-----------	--------	---	--------	---

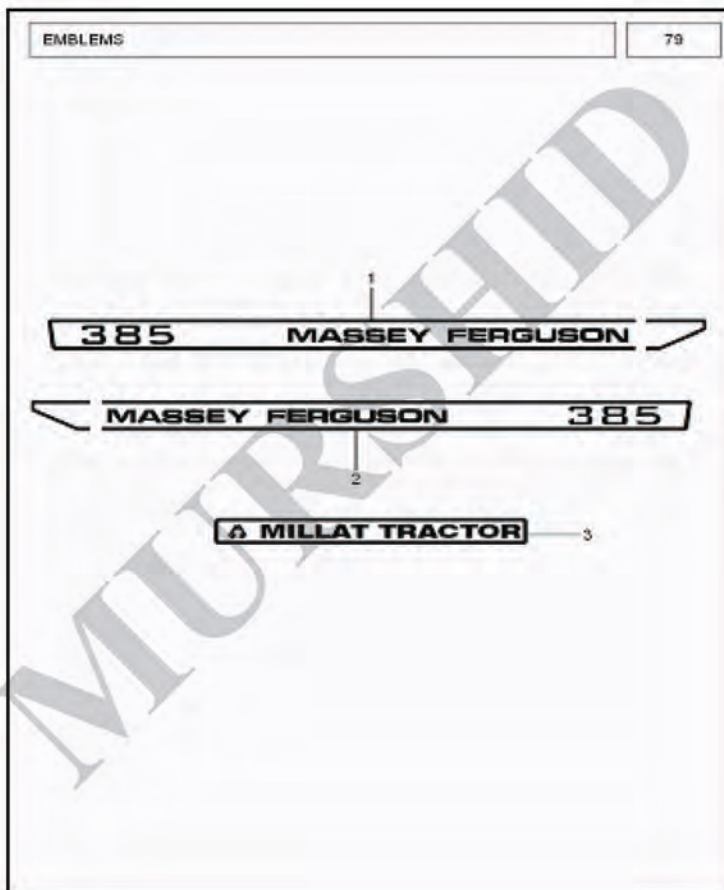
**TOOL BOX**

**MF385 2WD**

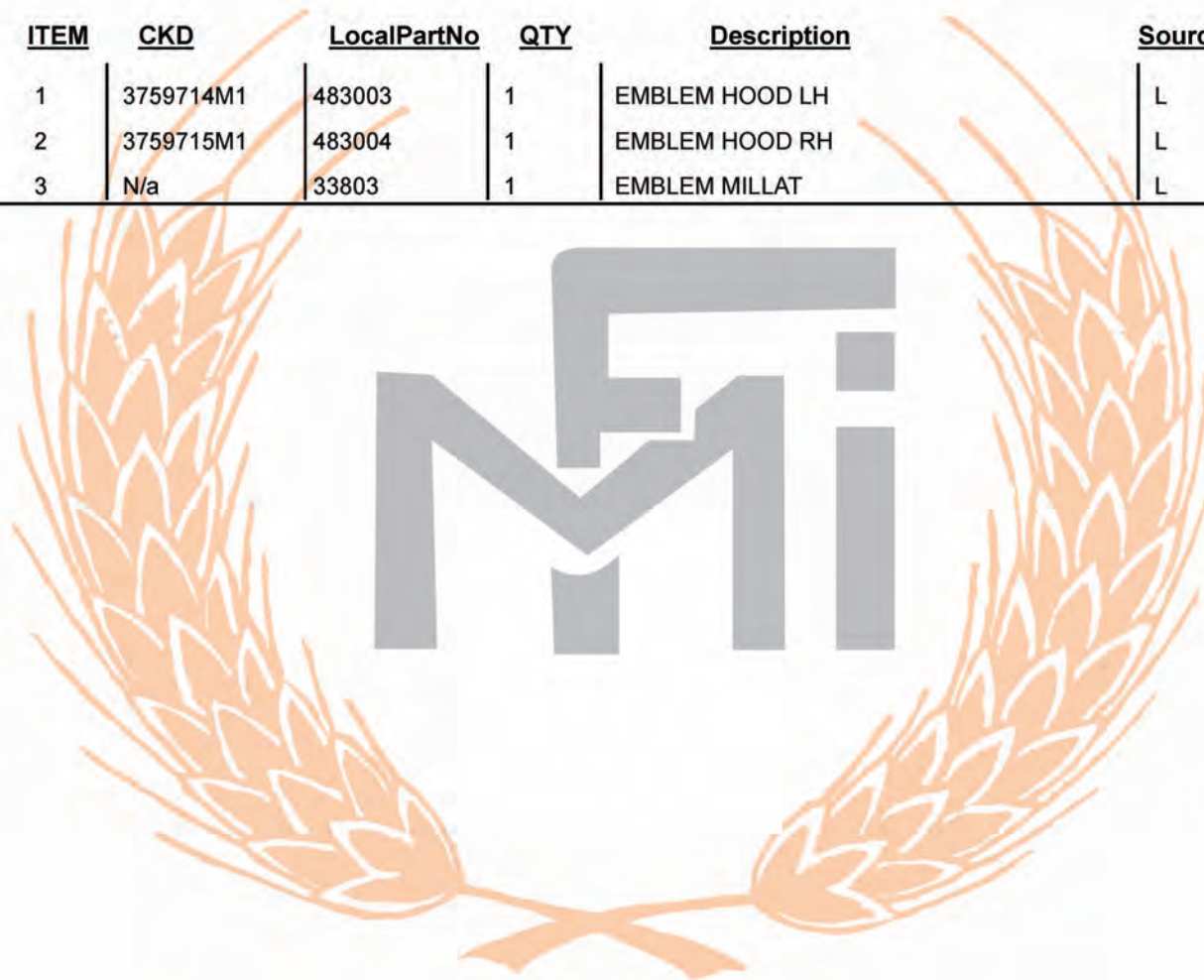


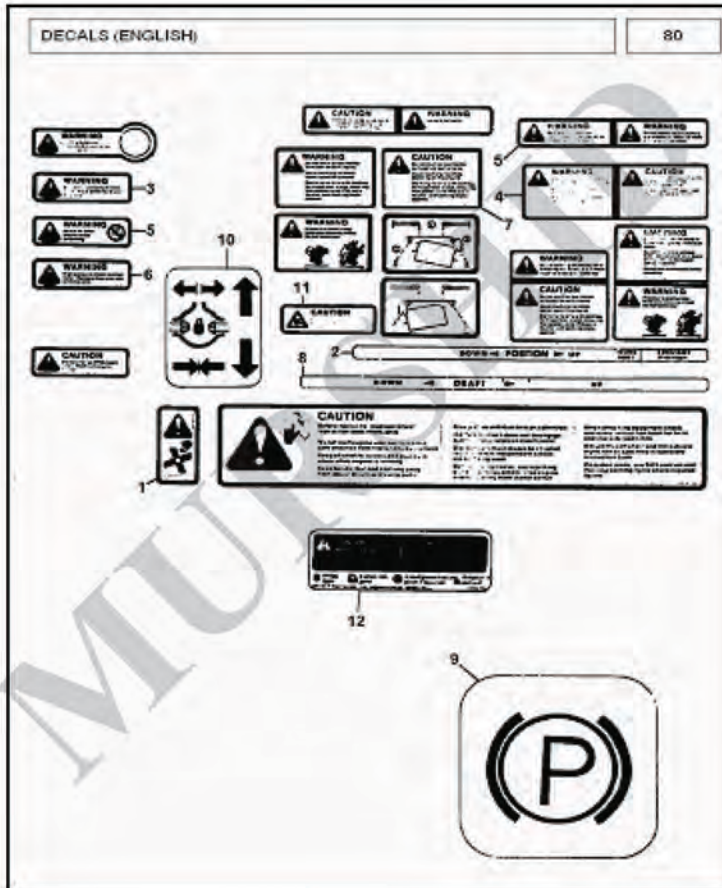
<u>ITEM</u>	<u>CKD</u>	<u>LocalPartNo</u>	<u>QTY</u>	<u>Description</u>	<u>Source</u>
1	909616P95	56001	1	ASSY.TOOL BOX	L
2	363316X1	99011	2	BOLT UNC 3/8 X 1	L
3	882690M1	56005	2	SPACER TOOL BOX	L
4	363622X1	99015	2	NUT 3/8	L
5	390972X1	163052	2	WASHER FLAT M8	L



**EMBLEMS****MF385 2WD**

<u>ITEM</u>	<u>CKD</u>	<u>LocalPartNo</u>	<u>QTY</u>	<u>Description</u>	<u>Source</u>
1	3759714M1	483003	1	EMBLEM HOOD LH	L
2	3759715M1	483004	1	EMBLEM HOOD RH	L
3	N/a	33803	1	EMBLEM MILLAT	L

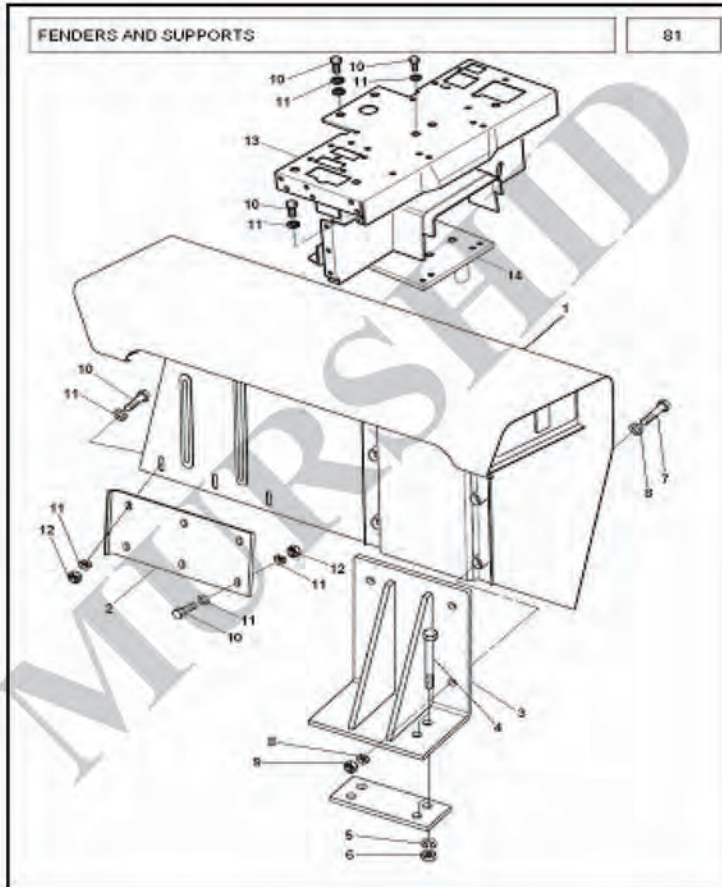




ITEM	CKD	LocalPartNo	QTY	Description	Source
1	3697199M1	33023	1	DECAL FAN RH(3697199M1 MF-375 P)	L
1	3697199M1	33024	1	DECAL FAN LH (3697199M1)	L
2	194559M3	333031	1	DECAL POSITION CONTROL	L
3	3595688M1	333022	1	DECAL -BRAKE OIL	L
4	3595677M2	333002	1	DECAL - REAR WARNING	L
5	3596431M2	33021	1	DECAL FUEL TANK(3596431M2 MF-375)	L
6	3595685M1	33020	1	DECAL-RAD. CAP(3595685M1 MF-375P)	L
7	3595681M1	333006	1	DECAL- POWER STEERING	L
8	3595675M3	33026	1	DECAL MAIN INSTR(3595675M3 MF375)	L
9	3596648M2	333052	1	DECAL BRAKE	L
10	3596649M2	33022	1	DECAL	L
11	3596761M1	33019	1	DECAL ELECT. (3596761M1 MF-375P)	L
12	3596959M1	33025	1	DECAL BATTERY WARN. (3596959M1 )	L

**FENDERS AND SUPPORTS**

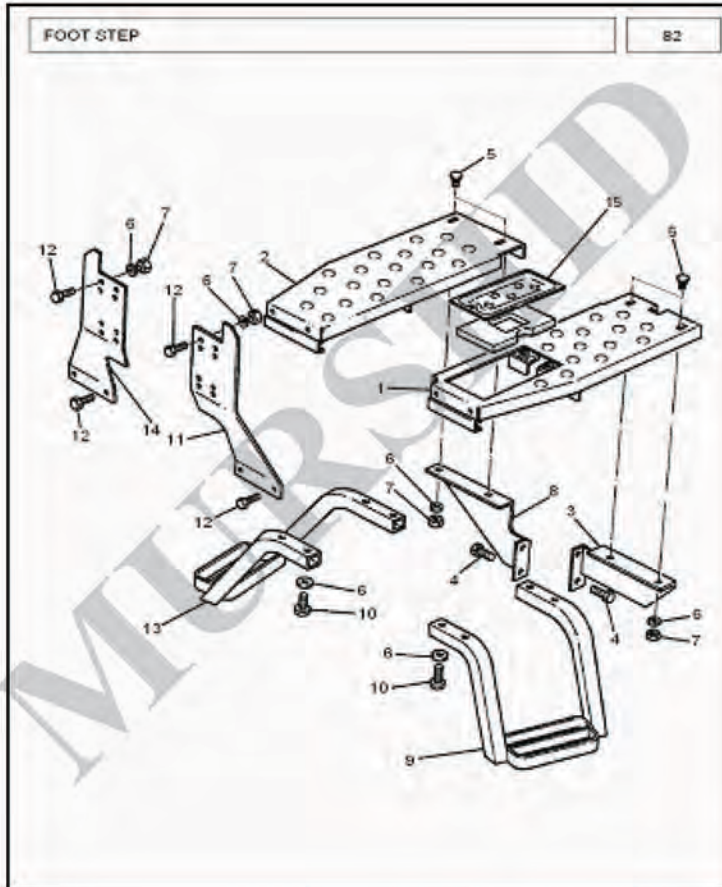
**MF385 2WD**



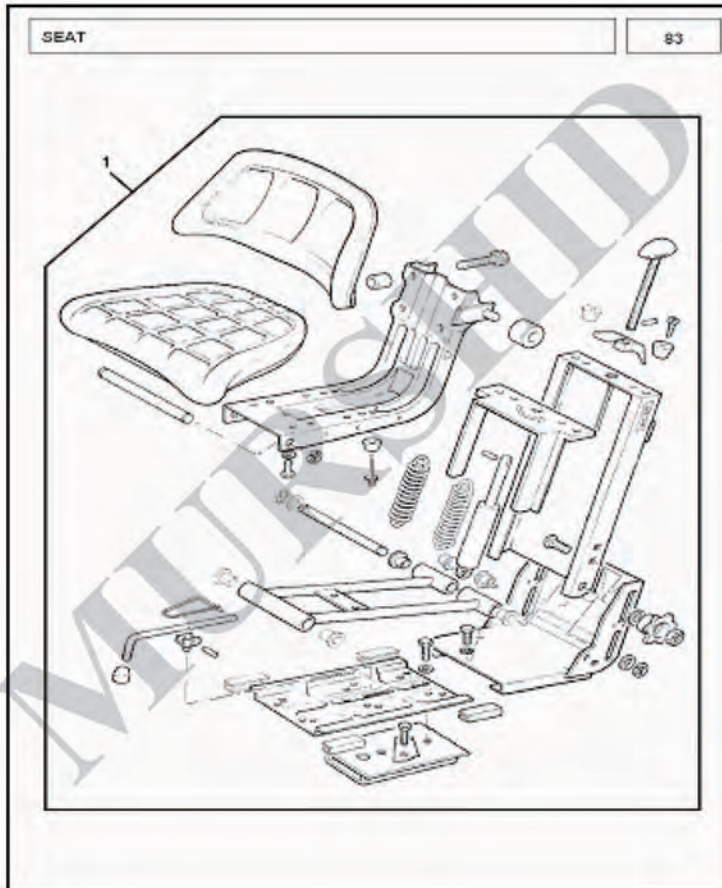
<u>ITEM</u>	<u>CKD</u>	<u>LocalPartNo</u>	<u>QTY</u>	<u>Description</u>	<u>Source</u>
1	3699079P94	343010	1	FENDER LH	L
1	3699080P93	343001	1	FENDER RH	L
2	3612342P4	343050	1	FENDER PLATE RH	L
2	3612342P5	343051	1	FENDER PLATE LH	L
3	3698618P91	343002	2	BRACKET	L
4	373686X1	813032	8	BOLT 3/4 10X9.1/2	L
5	375100X1	813033	8	NUT 3/4 10	L
6	375113X1	813034	8	LOCK NUT	L
7	3009510X1	343004	8	BOLT M 12 X 50 MM	L
8	390735X1	343005	16	WASHER FLAT M12	L
9	339054X1	343006	8	NUT- HEX 12MM	L
10	353517X1	34014	15	BOLT 5/16-24 X 3/4	L
11	353755X1	34015	27	WASHER 5/16	L
12	353916X1	34017	12	NUT 5/16 - 24	L
13	1695258R98	343020	1	SEAT DECK	L
14	1696235G93	343030	1	ASSY. SUPPORT BRACKET	L

**FOOT STEP**

**MF385 2WD**

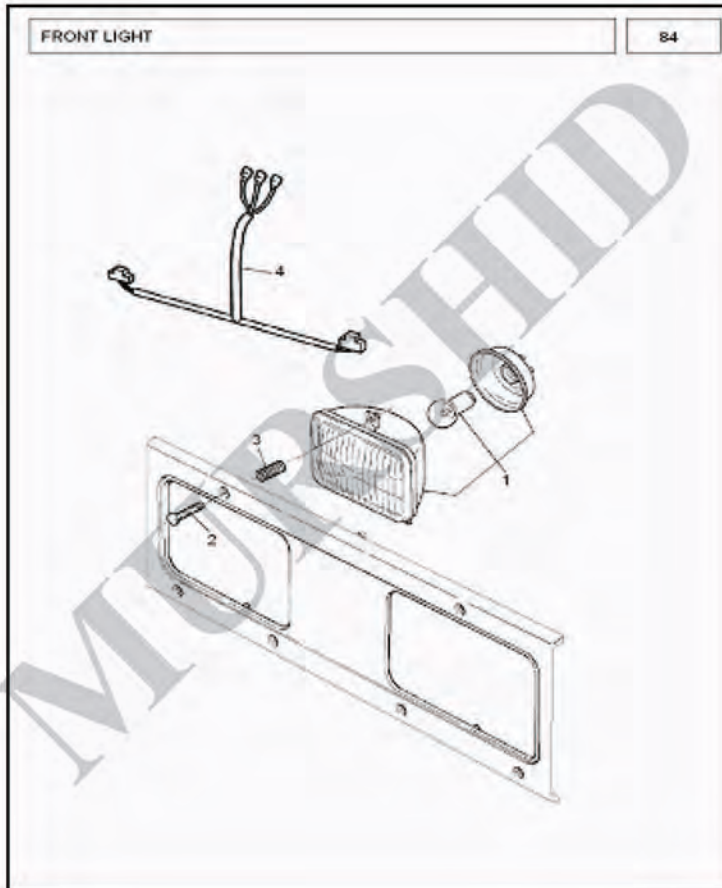


<u>ITEM</u>	<u>CKD</u>	<u>LocalPartNo</u>	<u>QTY</u>	<u>Description</u>	<u>Source</u>
1	3698449P92	303802	1	FOOT STEP LH	L
2	3698582P92	303801	1	FOOT STEP RH	L
3	1694198P97	303081	1	SUPPORT REAR LH	L
4	339124X1	163070	4	SCREW M8X16MM	L
5	385369X1	303082	4	CARRIAGE-BOLT M8 X 20	L
6	390972X1	163052	20	WASHER FLAT M8	L
7	339169X1	163033	12	NUT M8	L
8	1694190P94	303080	1	SUPPORT RH	L
9	3699524P91	303803	1	ASSY STEP LH	L
10	339011X1	303025	8	BOLT M8 X 45MM	L
11	3699338P3	303060	1	HEAT SHIELD LH	L
12	339123X1	25303	12	BOLT M-8 X 20 (339123X1)	L
13	3598090P92	303020	1	ASSY STEP RH	L
14	1694647P6	303061	1	HEAT SHIELD RH	L
15	3700879P2	303805	1	COVER BATTERY LH	L



<u>ITEM</u>	<u>CKD</u>	<u>LocalPartNo</u>	<u>QTY</u>	<u>Description</u>	<u>Source</u>
1	1689031M91	22075	1	GRAMMER SEAT ASSY	L



**FRONT LIGHTS****MF385 2WD**

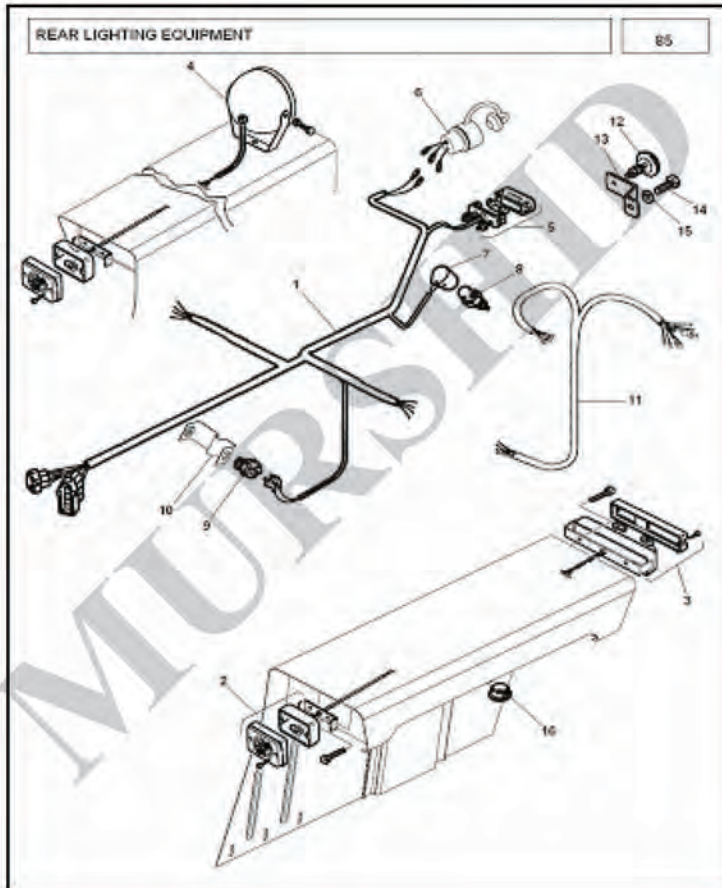
<u>ITEM</u>	<u>CKD</u>	<u>LocalPartNo</u>	<u>QTY</u>	<u>Description</u>	<u>Source</u>
1	1672766M91	35050	2	ASSY HEAD LAMP RH DIP	L
2	1860172M1	35053	6	HEAD LAMP SCREW 10 - 32 UNF - 2A	L
3	3771550M1	35054	6	SPRING HEAD LIGHT	L
4	1678405M91	34053	1	WIRE ASSY HEAD LAMP	L



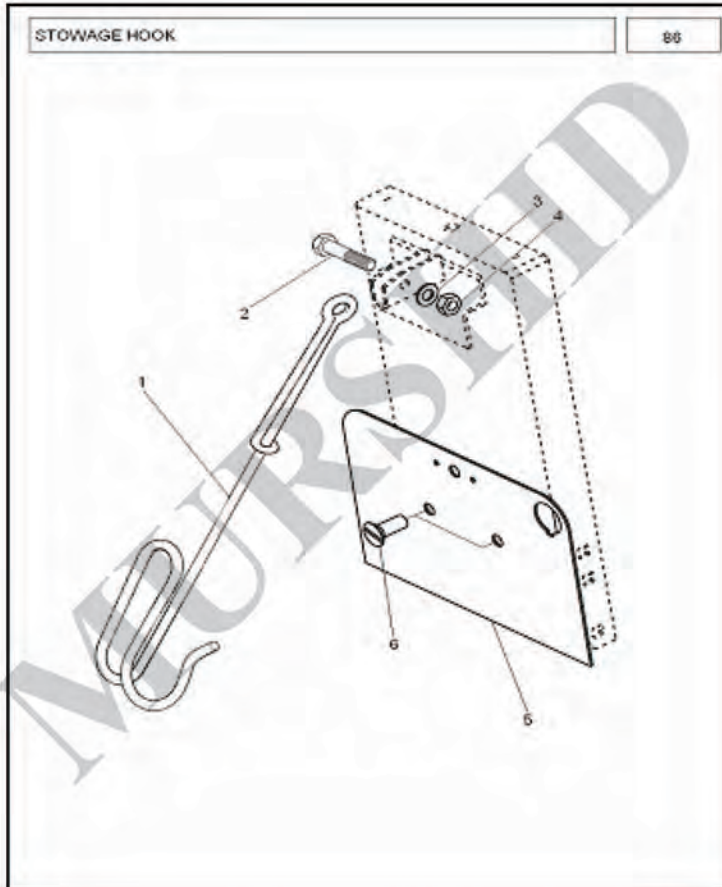


**REAR LIGHTING EQUIPMENT**

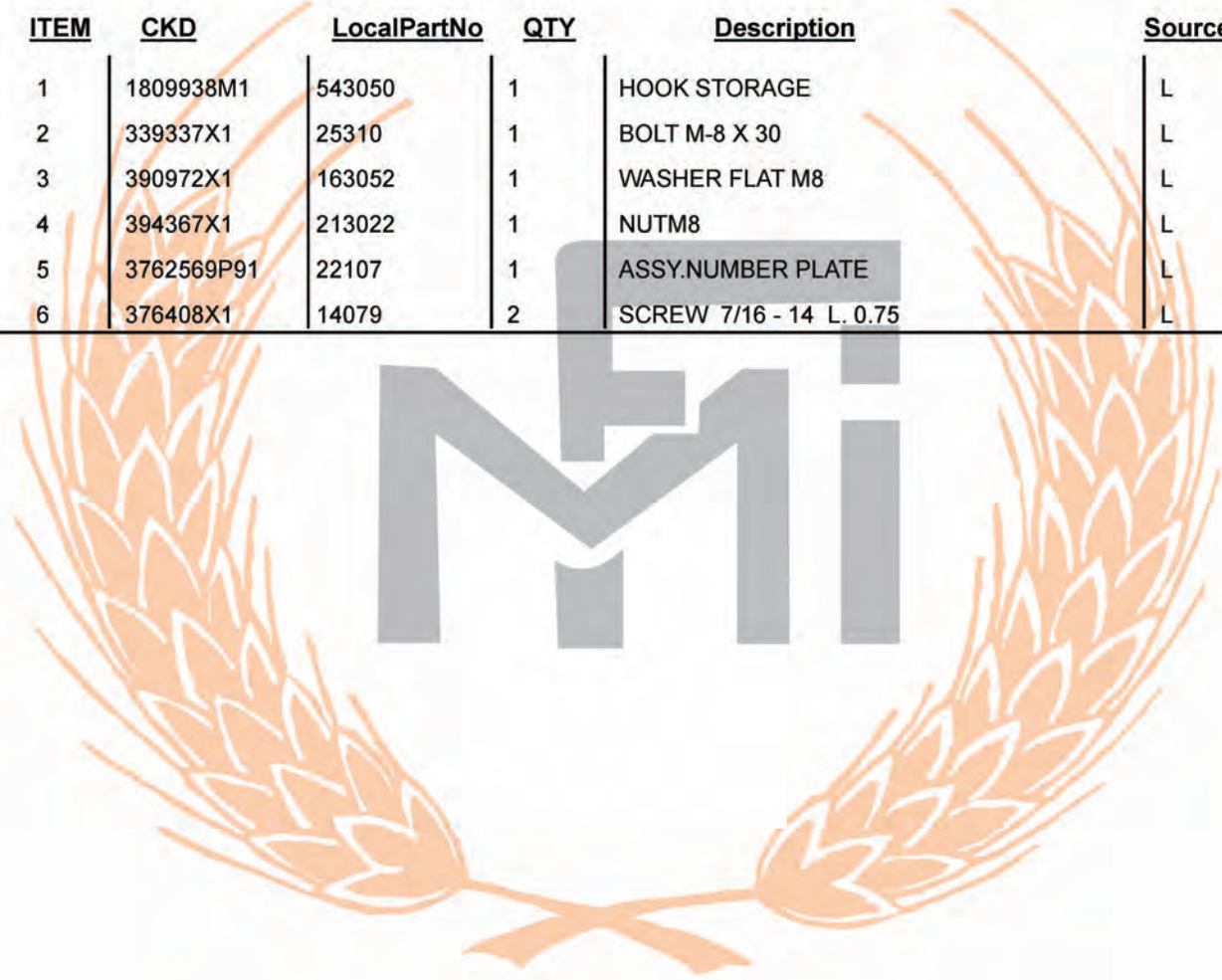
**MF385 2WD**



<u>ITEM</u>	<u>CKD</u>	<u>LocalPartNo</u>	<u>QTY</u>	<u>Description</u>	<u>Source</u>
1	3699092M92	373200	1	REAR HARNESS	L
2	1678990M91	34177	1	LAMP FRONT RH	L
2	1678991M91	34176	1	LAMP FRONT LH	L
3	1678868M91	34174	1	LAMP REAR IND STOP LH	L
3	1678869M91	34175	1	LAMP REAR IND STOP RH	L
4	1678582M91	34173	1	ASSY WORK LAMP	L
5	1684833M91	34155	1	LAMP NO. PLATE	L
6	409965M1	34057	1	SOCKET 7 PIN	L
7	3596458M1	373073	1	CAP- SWITCH	L
8	3763601M1	373074	1	SWITCH DIFFLOCK	L
9	3759508M91	363010	1	SWITCH- FOOT BRAKE	L
10	3611501P91	373090	1	ASSY. BRACKET	L
11	3613853M91	343301	1	FENDER HARNESS RH	L
11	3613854M91	343302	1	FENDER HARNESS LH	L
12	1678390M2	373065	2	REFLECTOR RED	L
13	1666377P1	373064	2	BRACKET-REFLECTOR	L
14	354699X1	373068	2	BOLT 5/8 - 11 X 3/4	L
15	353433X1	14085	10	WASHER 5/8	L
16	3597768M1	373025	2	PLUG- FENDER	L

**STOWAGE HOOK****MF385 2WD**

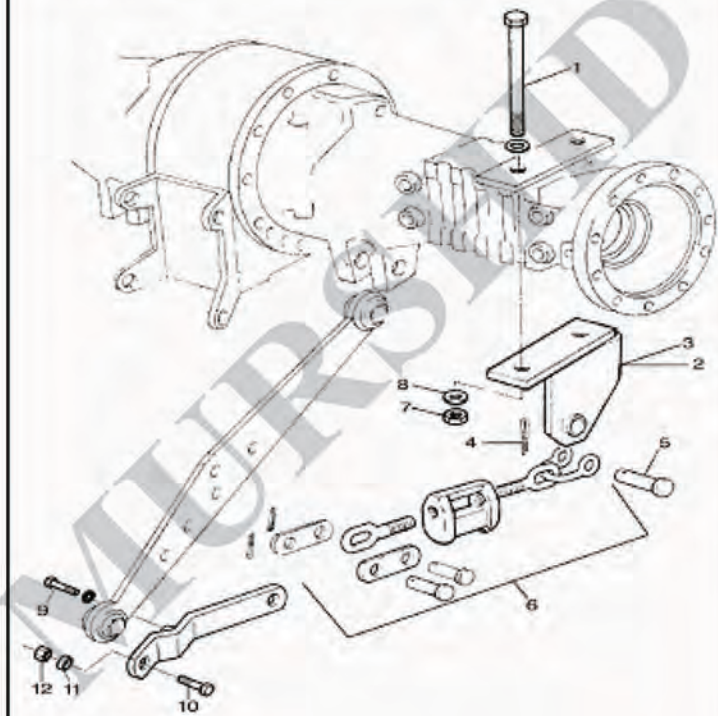
<u>ITEM</u>	<u>CKD</u>	<u>LocalPartNo</u>	<u>QTY</u>	<u>Description</u>	<u>Source</u>
1	1809938M1	543050	1	HOOK STORAGE	L
2	339337X1	25310	1	BOLT M-8 X 30	L
3	390972X1	163052	1	WASHER FLAT M8	L
4	394367X1	213022	1	NUTM8	L
5	3762569P91	22107	1	ASSY.NUMBER PLATE	L
6	376408X1	14079	2	SCREW 7/16 - 14 L. 0.75	L



**STABLLIZERS****MF385 2WD**

STABLLIZER

87



<u>ITEM</u>	<u>CKD</u>	<u>LocalPartNo</u>	<u>QTY</u>	<u>Description</u>	<u>Source</u>
1	373686X1	813032	8	BOLT 3/4 10X9.1/2	L
2	1695683M91	813001	1	ANCHOR BRACKET LH	L
3	1695682M91	813002	1	ANCHOR BRACKET RH	L
4	354089X1	253170	2	PIN COTTER	L
5	52964M1	813018	2	CLEVIS PIN	L
6	1670841K91	813009	2	CHAIN STABLISER KIT	L
7	375100X1	813033	8	NUT 3/4 10	L
8	353775X1	813035	8	WASHER- HARDENED 3/4	L
9	354416X1	813025	2	PIN COTTER	L
10	354567X1	813027	2	BOLT 3/4-16 X 2-1/4	L
11	353440X1	813024	4	WASHER LOCK 3/4	L
12	353435X2	813026	2	NUT-LOCK3/4 - 16	L